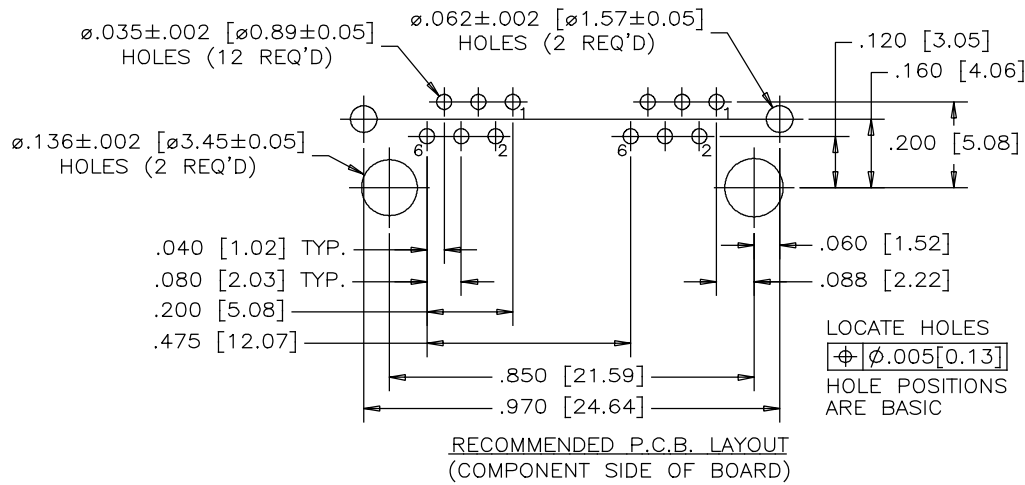
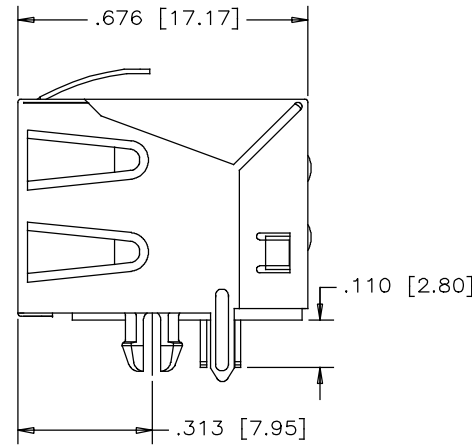
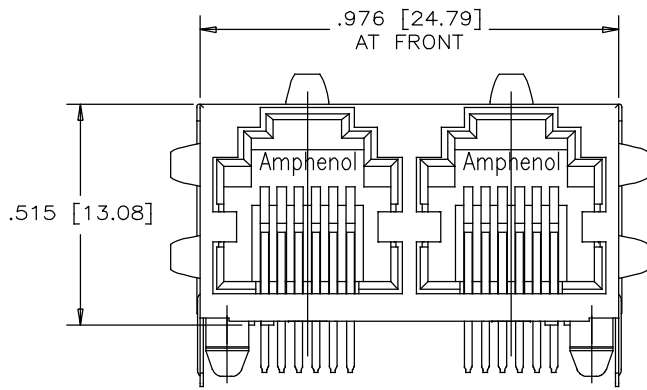


REVISIONS			
REV	DESCRIPTION, ECN, EAR NO.	DATE	APP'D
A	PROPOSAL DRAWING	OCT08/14	L.CHAN
B	PROPOSAL DRAWING	FEB04/16	L.CHAN
C	PROPOSAL DRAWING	APR05/16	L.CHAN



RECOMMENDED P.C.B. LAYOUT  
(COMPONENT SIDE OF BOARD)

**MATERIALS:**

PLASTIC HOUSING: HIGH TEMPERATURE RESISTANT NYLON  
UL FLAMMABILITY RATING 94V-0.  
SOLDER REFLOW PROCESS COMPATIBLE.

CONTACTS: PHOSPHOR BRONZE

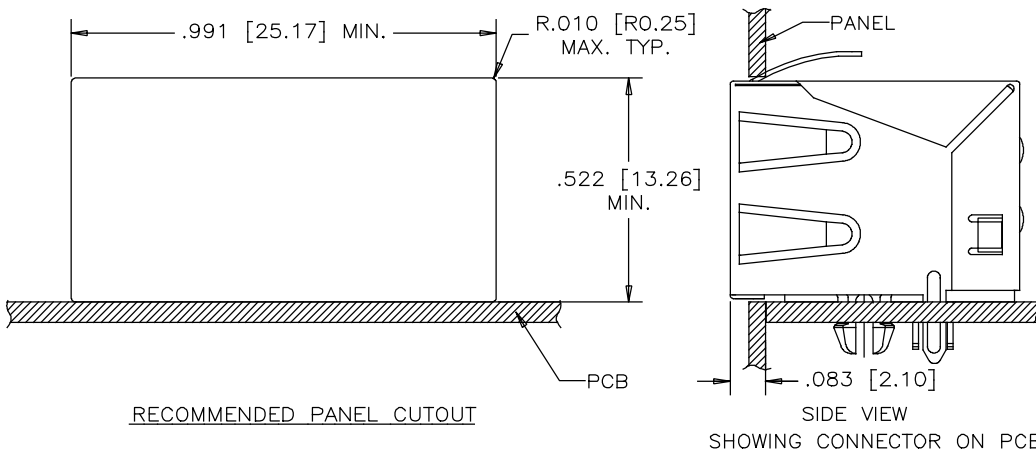
CONTACT PLATING: GOLD PLATED ON MATING SURFACES.  
(SEE PART NO. FOR THICKNESS).  
50 MICROINCHES [1.27 MICRONS] MIN.  
NICKEL UNDERPLATE  
100 MICROINCHES [2.54 MICRONS] MIN.  
MATTE TIN ON CONTACT TAILS.

SHIELD: COPPER ALLOY; NICKEL PLATED WITH TIN DIPPED  
PCB TAILS.

RECOMMENDED SOLDERING TEMPERATURE:  
WAVE SOLDERING OR REFLOW SOLDERING AT 260°C  
MAXIMUM FOR 5 SEC MAXIMUM.

AMPHENOL PART NUMBER: RJE01-X62-02

GOLD PLATING:  
1=RJ45 CONTACT 6u"  
G=RJ45 CONTACT 15u"  
J=RJ45 CONTACT 30u"  
6=RJ45 CONTACT 50u"



RECOMMENDED PANEL CUTOUT

SIDE VIEW  
SHOWING CONNECTOR ON PCB

THIS DOCUMENT CONTAINS PROPRIETARY INFORMATION AND SUCH INFORMATION MAY NOT BE DISCLOSED TO OTHERS FOR ANY PURPOSE OR USED FOR MANUFACTURING PURPOSES WITHOUT WRITTEN PERMISSION FROM AMPHENOL CANADA CORP.

UNLESS SPECIFIED OTHERWISE	DRAWN	F.WANG	OCT08/14	Amphenol Canada Corp. www.amphenolcanada.com
PRIMARY UNITS INCHES	CHECKED	L.Chan	OCT08/14	
SECONDARY MILLIMETERS	M.E. APP'D			
REFERENCE IN PARENTHESES	Q.A. APP'D			
GENERAL TOLERANCES FOR MM	DWG APP'D			HIGH SPEED MODULAR JACK, 2 PORT, 6 POSITION, 6 CONTACTS, SHIELD WITH PCB TAILS—RoHS COMPLIANT
1 DECIMAL PLACE ±0.025	ENG. REL. NO.			
2 DECIMAL PLACE ±0.020	REF.			
3 DECIMAL PLACE ±0.015	THIRD ANGLE PROJECTION			DWG NO.
ANGULAR DEGREES ±1.5°	DO NOT SCALE DRAWING			P-RJE01-X62-02
				REV
				C
				CODE ID NO. 03554 DWG SIZE: C SCALE: N/A SHEET 1 OF 1