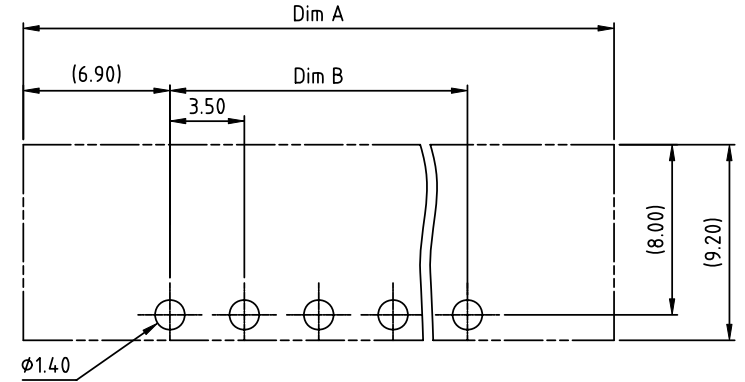
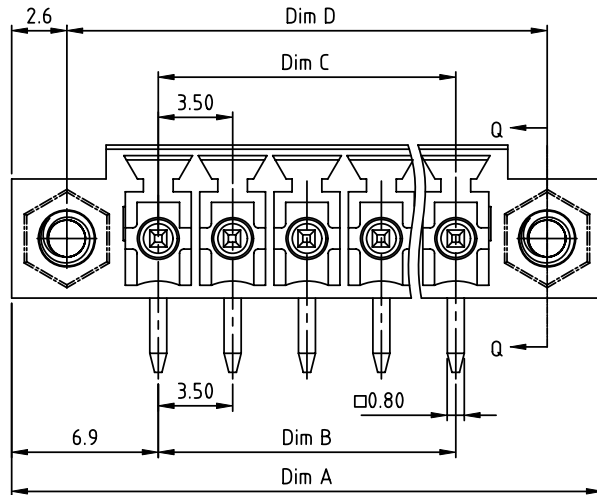
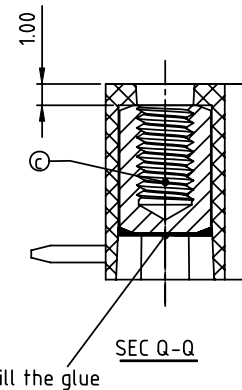
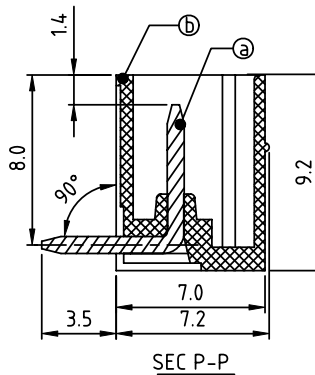
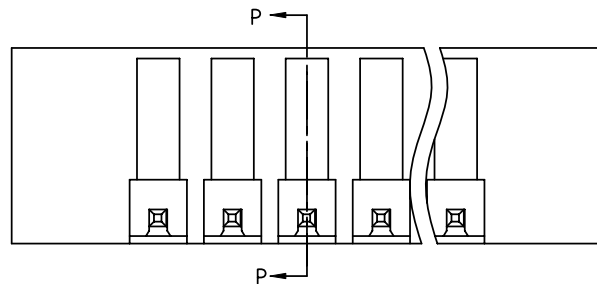


PRODUCT NUMBER	PITCH
OQxx15x100J0G	3.50 mm



RECOMMENDED P.C.B LAYOUT  
TOP VIEW



Material:

- Item ① Male contact pin: Copper Tin plated
- Item ② Terminal housing: Thermoplastic (UL94V-0)
- Item ③ Flange nut: Brass M2.5

Electrical:

- Voltage rating: 300V/300V
- Current rating: 10A/10.5A
- Withstanding Voltage: 1.6 KV/2.5KV
- Operating temperature: -40°C to +115°C
- Soldering temperature: 260°C±5°C/5 Sec
- Safety Approval:

DIMENSION

Dim A	(N-1)×3.5+13.8
Dim B&C	(N-1)×3.5
Dim D	(N-1)×3.5+8.6

N= Number of poles

poles	Tol
2p-6p	±0.15
7p-12p	±0.20
13p-16p	±0.25
17p-24p	±0.30

PART NO.: OQ xx 1 5 x 1 00J0 G

No. of poles	0	Body Color	Black (RAL9005)	RoHS compliant
02	2 poles	2	Red (RAL3001/D)	(lead<4%)
03	3 poles	3	Orange(RAL2011/P)	In copper Alloy
...	...	4	Yellow(RAL1018/A)	
24	24 poles	5	Green(RAL6018/T)	
		6	Blue (RAL5015/A)	
		8	Grey(RAL7035/D)	
		9	White(RAL1102)	
		C	Green(RAL6018/U)	

mat'l. code	surface ASME Y14.5	tolerance ASME Y14.5	projection	product family
ltr	ecn no	dr	date	TERMINAL BLOCK
				title
				TERMINAL BLOCK
				PLUGGABLE SOCKET, WITH FLANGE, RIGHT ANGLE
				scale
				MM
				sheet 1 of 1
				size
				A4
				type
				CUSTOMER Drawing
sheet index	revision	A		
	sheet	1		