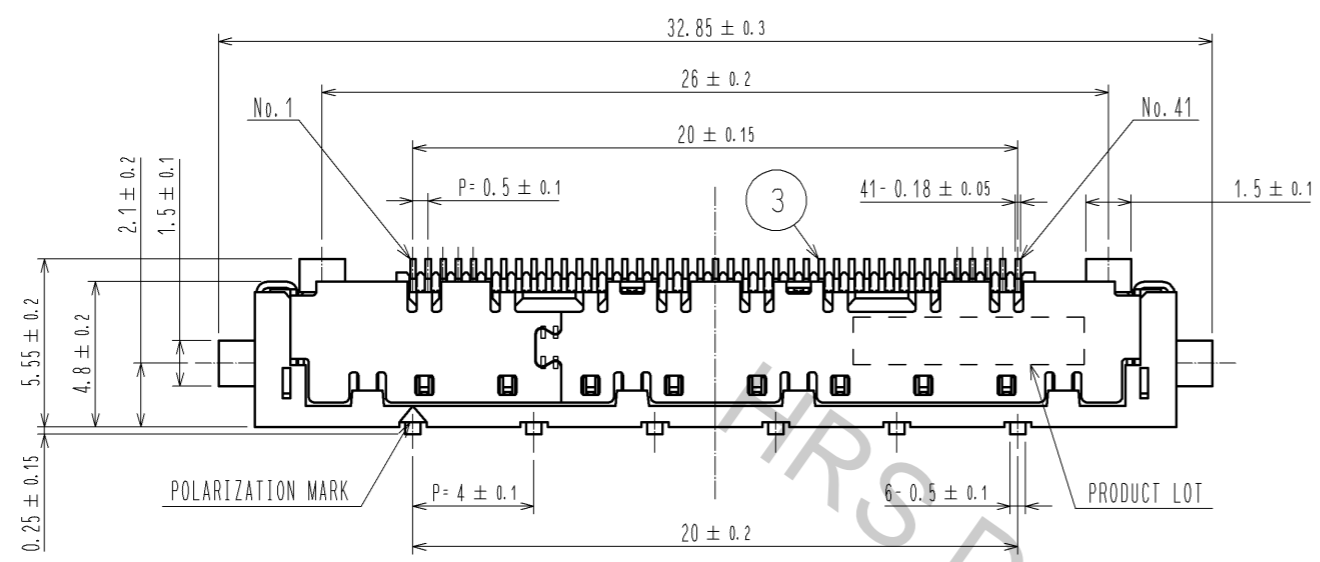
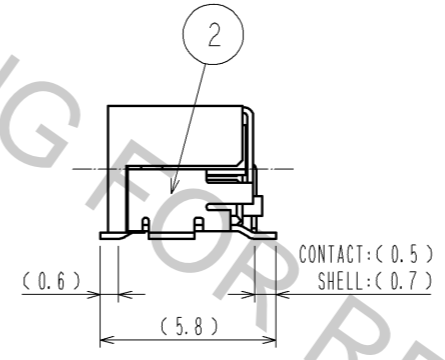
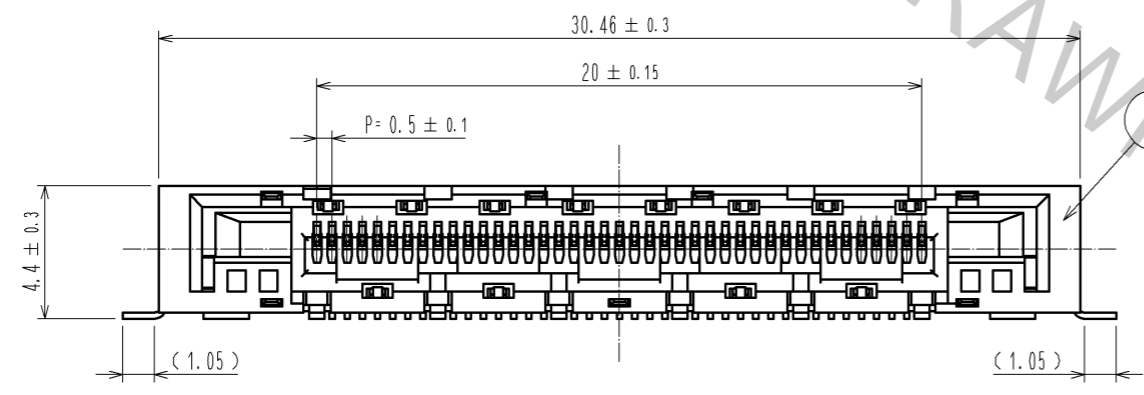


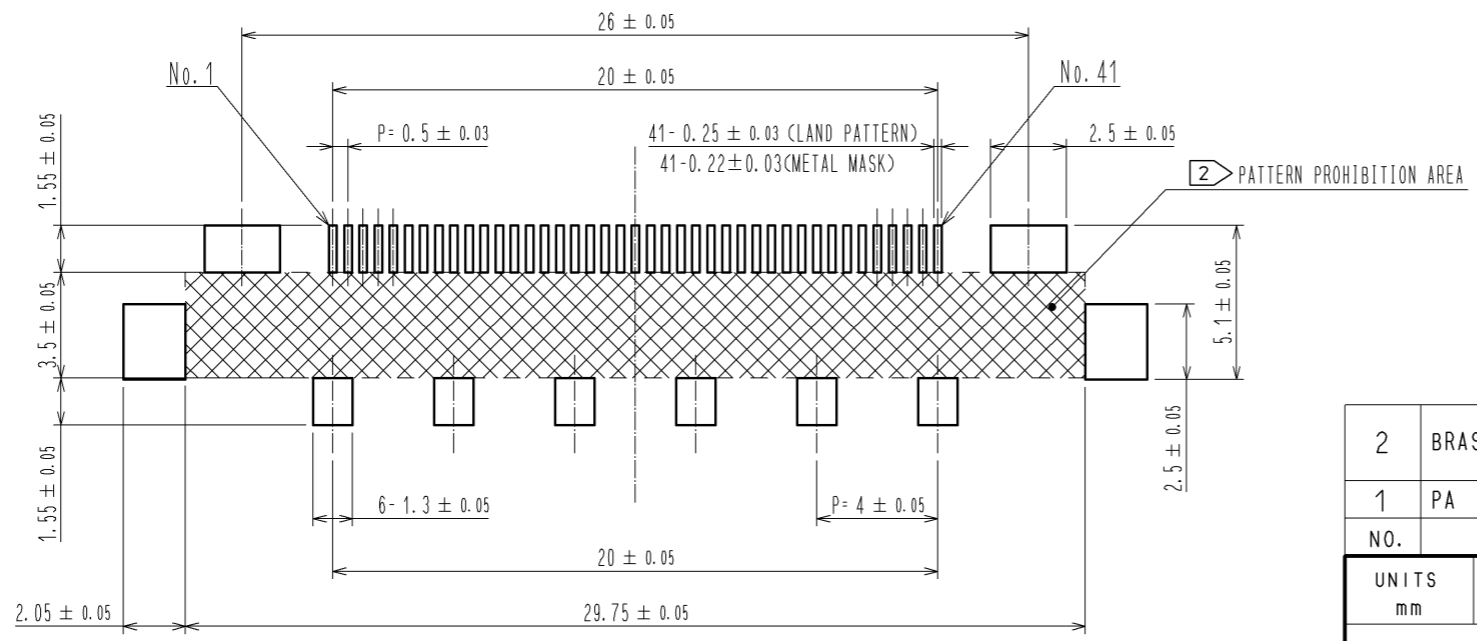
May.1.2017 Copyright 2017 HIROSE ELECTRIC CO., LTD. All Rights Reserved.



- NOTE 1 LEAD CO-PLANARITY OF THIS PRODUCT TO BE 0.1MAX.
 2 AREA OF INNER SMT LAND REQUIRES PATTERN PROHIBITION OR RESIST TREATMENT TO PREVENT THE PATTERN TOUCHING TO THE CONTACTS.
 3 () INDICATES A REFERENCE DIMENSION.
 4 MANUFACTURING PROCESS COULD LEAVE SCRATCH AND/OR PUNCH MARKS HAVING NO AFFECT ON THE PRODUCT PERFORMANCE.
 5 PACKAGING FOR THIS PRODUCT APPLIES EMBOSSED CARRIER TAPE PACKAGING.



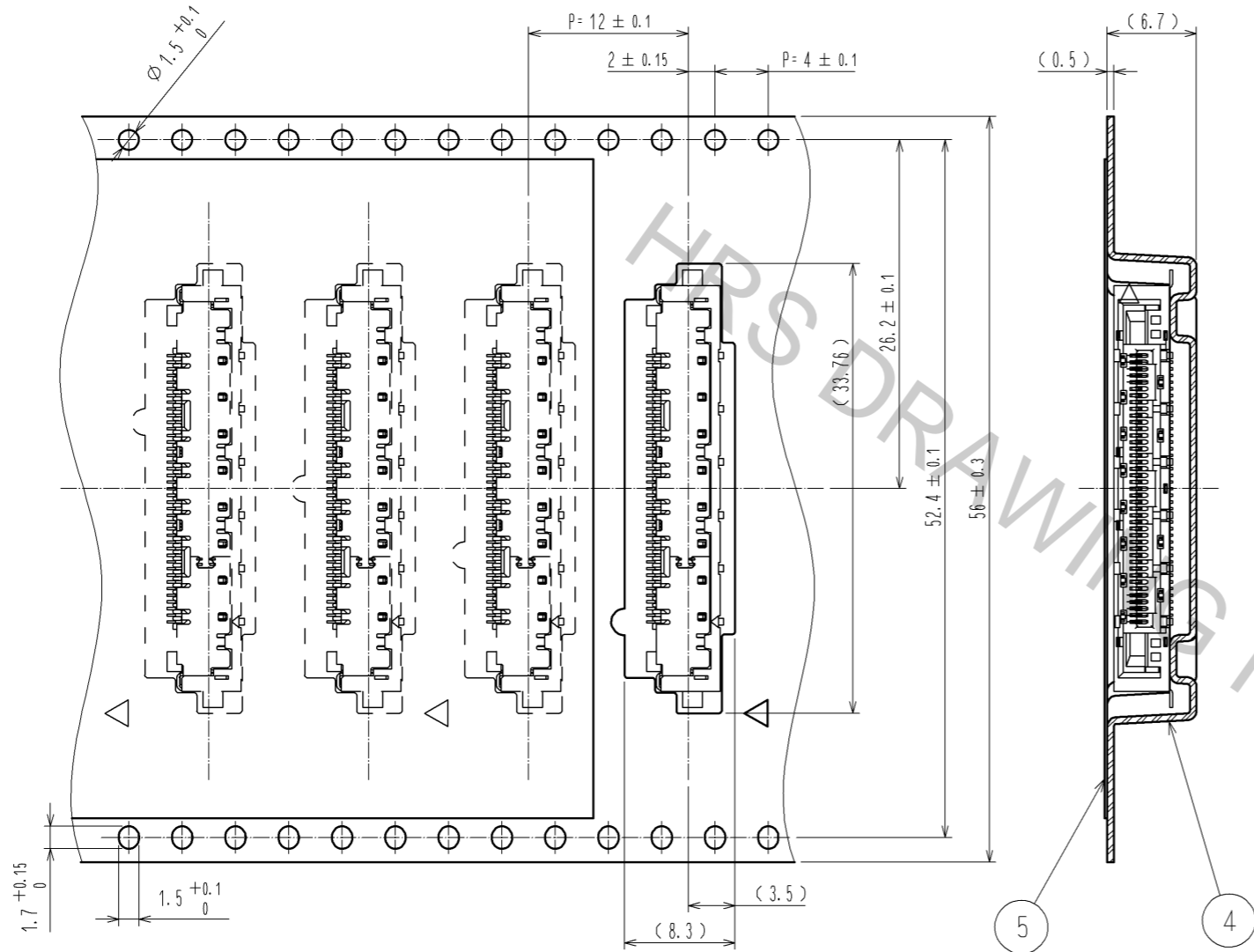
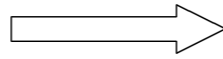
RECOMMENDED LAND PATTERN DIMENSION
(METAL MASK THICKNESS: t=0.12)



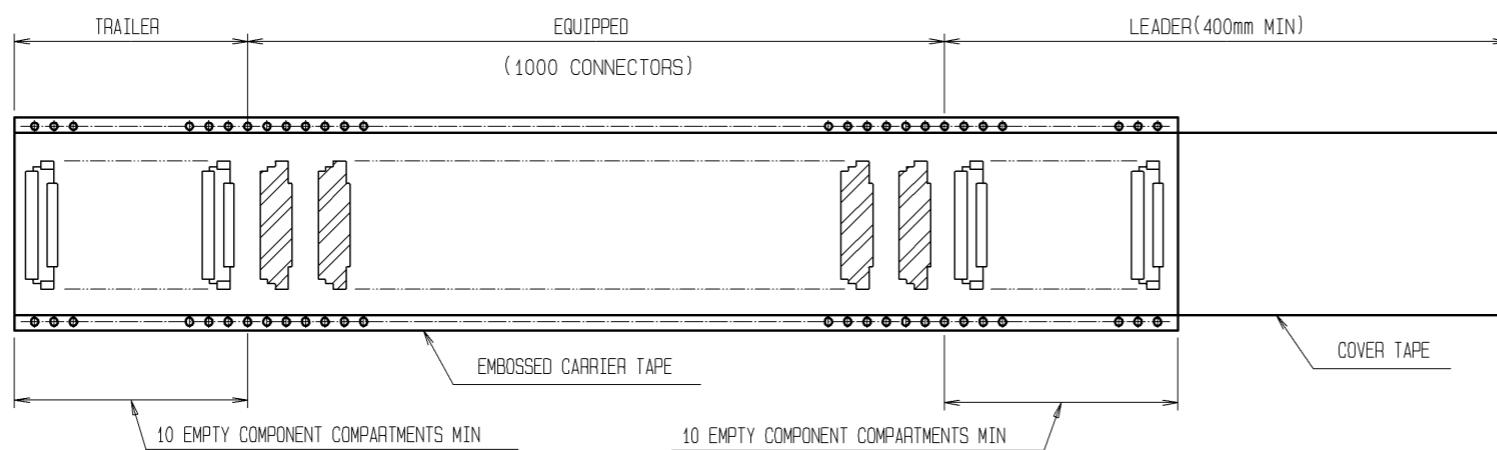
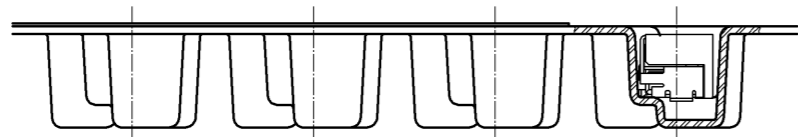
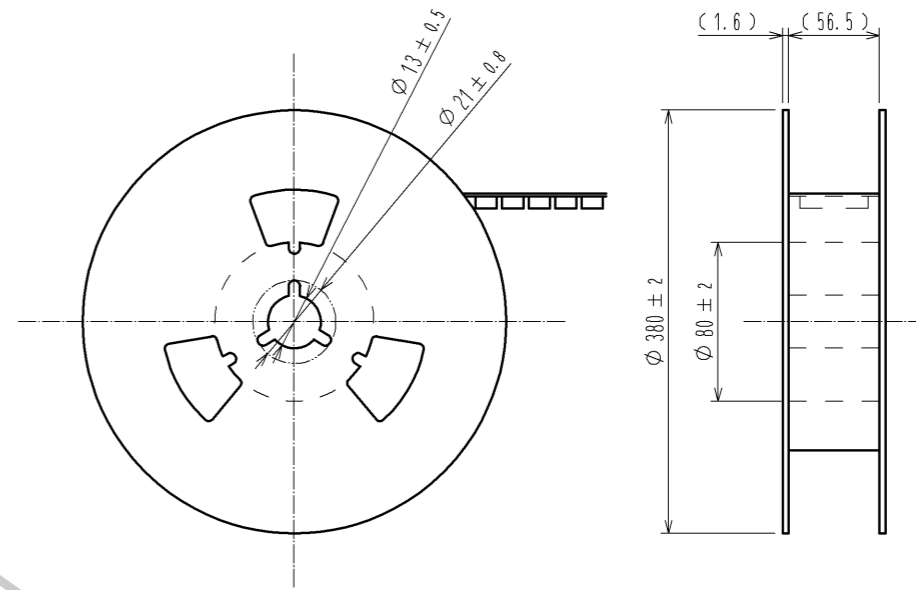
2	BRASS	OVER PLATING:TIN PLATING 1μm min UNDER PLATING:NICKEL 2μm min	5	PE	(COVER TAPE)
1	PA	BLACK. UL94V-0	4	PS	(EMBOSSED CARRIER TAPE)
			3	PHOSPHOR BRONZE	CONTACT AREA:GOLD 0.1μm min LEAD AREA:GOLD 0.03μm min UNDER PLATING:NICKEL 1μm min
NO.	MATERIAL	FINISH . REMARKS	NO.	MATERIAL	FINISH . REMARKS
UNITS mm		SCALE 5 : 1	COUNT 1	DESCRIPTION OF REVISIONS DIS-F-006350	
DESIGNED CR. TAKESHIMA		CHECKED HT. YAMAGUCHI		DATE 12.08.24	
APPROVED : HS. OKAWA 10.04.20		DRAWING NO. EDC3-330630-00			
CHECKED : HT. YAMAGUCHI 10.04.20		PART NO. FX16M2-41S-0.5SH			
DESIGNED : KN. SHIBUYA 10.04.19		CODE NO. CL575-3003-9-00			
DRAWN : TP. MATSUMOTO 10.03.19					

DRAWING FOR PACKING (2:1)

THE DIRECTION OF PULLING OUT



REELED DIMENSION (FREE)



HRS	DRAWING NO.	EDC3-330630-00
	PART NO.	FX16M2-41S-0.5SH
	CODE NO.	CL575-3003-9-00
		2/2

May.1.2017 Copyright 2017 HIROSE ELECTRIC CO., LTD. All Rights Reserved.