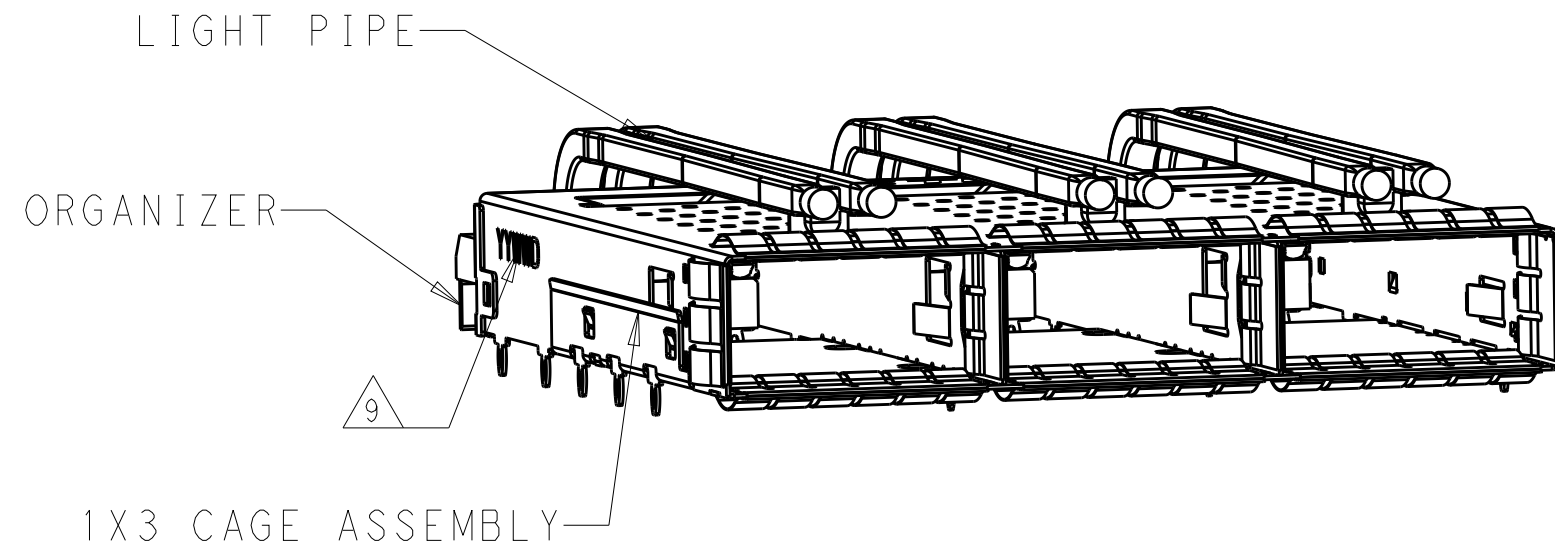
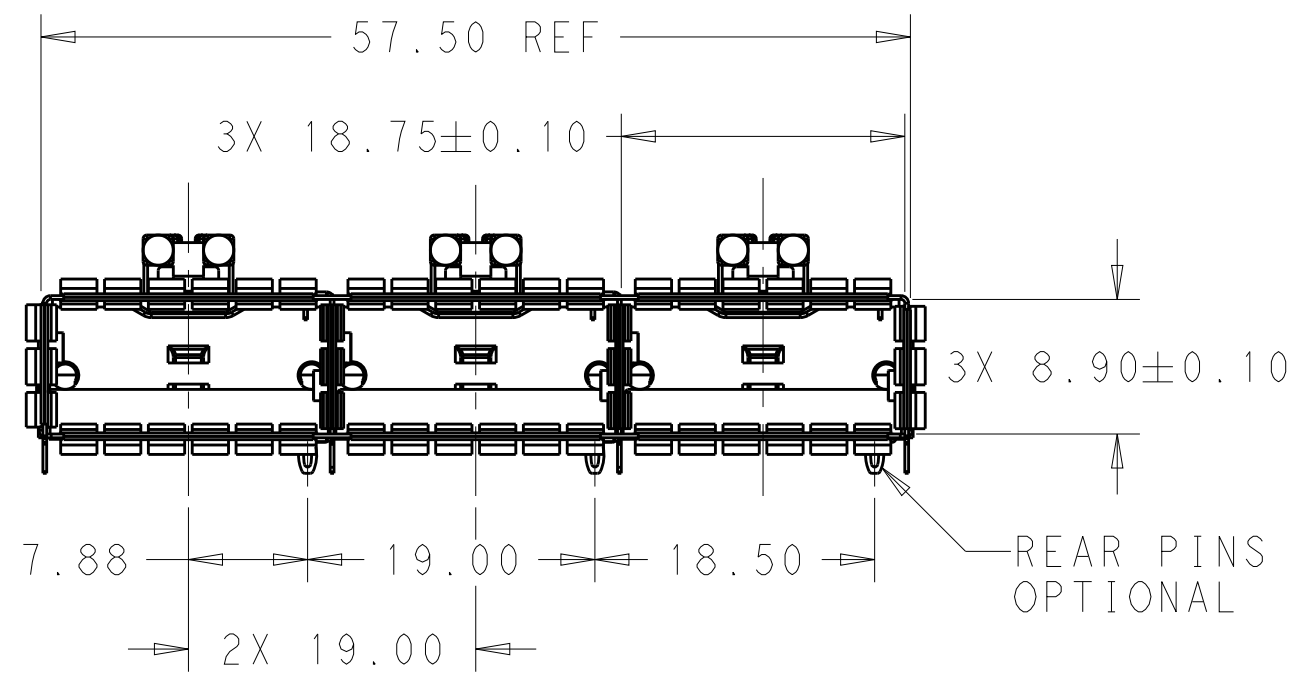


THIS DRAWING IS UNPUBLISHED. RELEASED FOR PUBLICATION 20
 © COPYRIGHT 20 BY - ALL RIGHTS RESERVED.

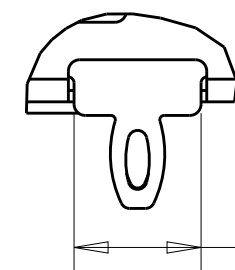
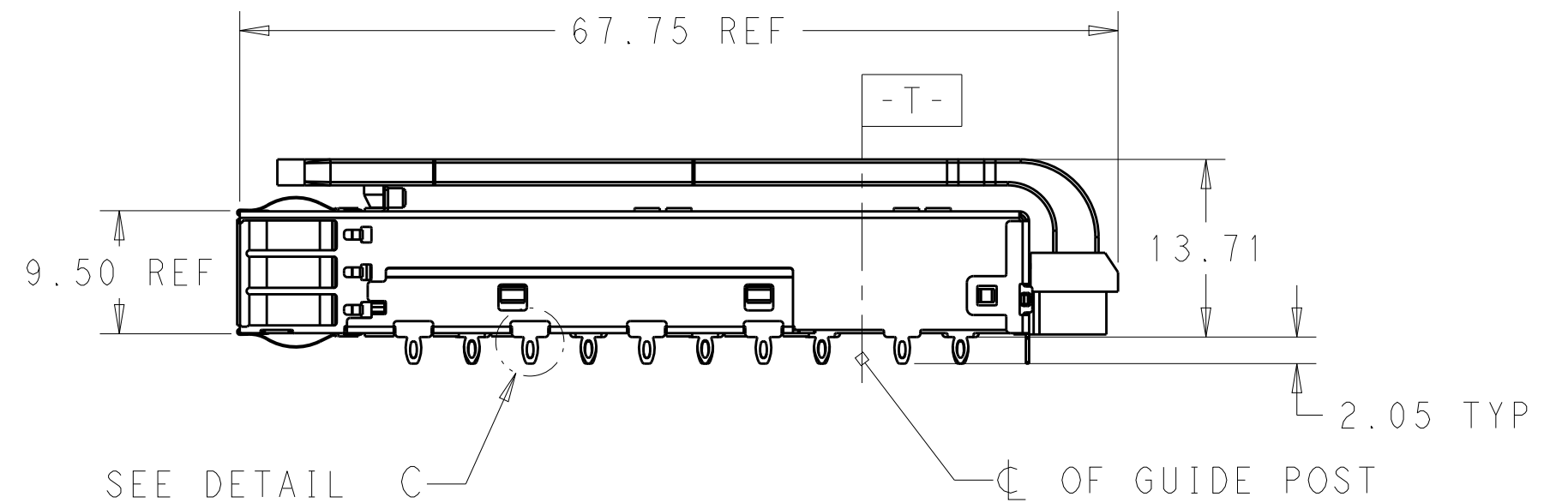
LOC	DIST	REVISIONS					
GP	00	P	LTR	DESCRIPTION	DATE	DWN	APVD
		A		RELEASE	03NOV2016	JY	SH



- COMPONENTS
 CAGE ASSEMBLY: NICKEL-SILVER ALLOY
 EMI SPRING: COPPER ALLOY/NICKEL PLATE
 LIGHT PIPE: CLEAR POLYCARBONATE
 ORGANIZER: POLYESTER
- REFERENCE APPLICATION SPECIFICATION 114-32023 FOR RECOMMENDED DRILL HOLE DIAMETER AND PLATING THICKNESS
- DATUM AND BASIC DIMENSION ESTABLISHED BY CUSTOMER
- MATES WITH QSFP28 MSA COMPATIBLE TRANSCEIVER.
- LIGHT PIPES ARE SHIPPED ASSEMBLED ON CAGE
- MINIMUM PC BOARD THICKNESS: SINGLE SIDED: 1.57 MIN
 DOUBLE SIDED: 2.20 MIN
- DATUM **-A-** IS TOP SURFACE OF THE HOST BOARD.
- THESE HOLES ARE OPTIONAL WHEN THE REAR PINS ARE REMOVED.
- DATE CODE (YYWWD) MARKED APPROXIMATELY AS SHOWN.



SCALE 2:1



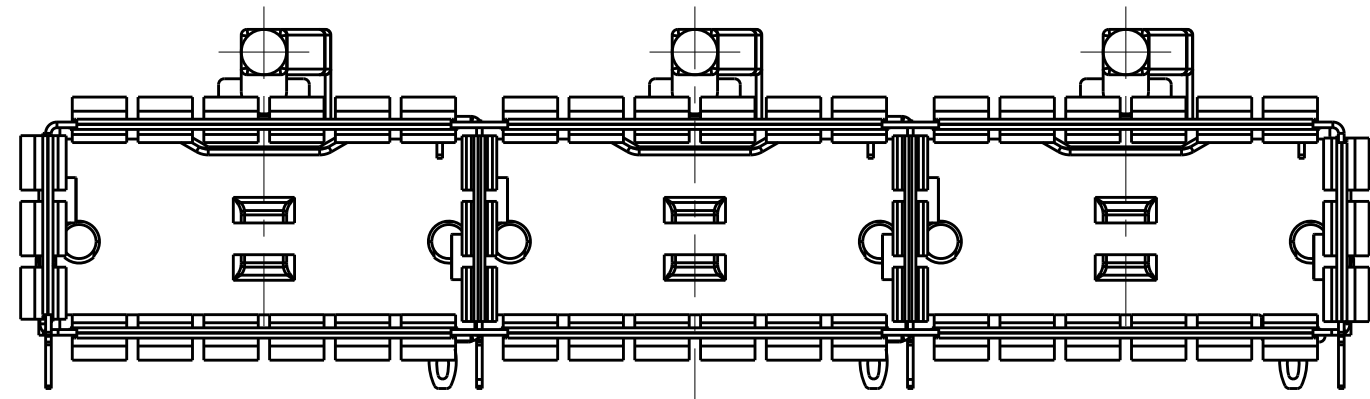
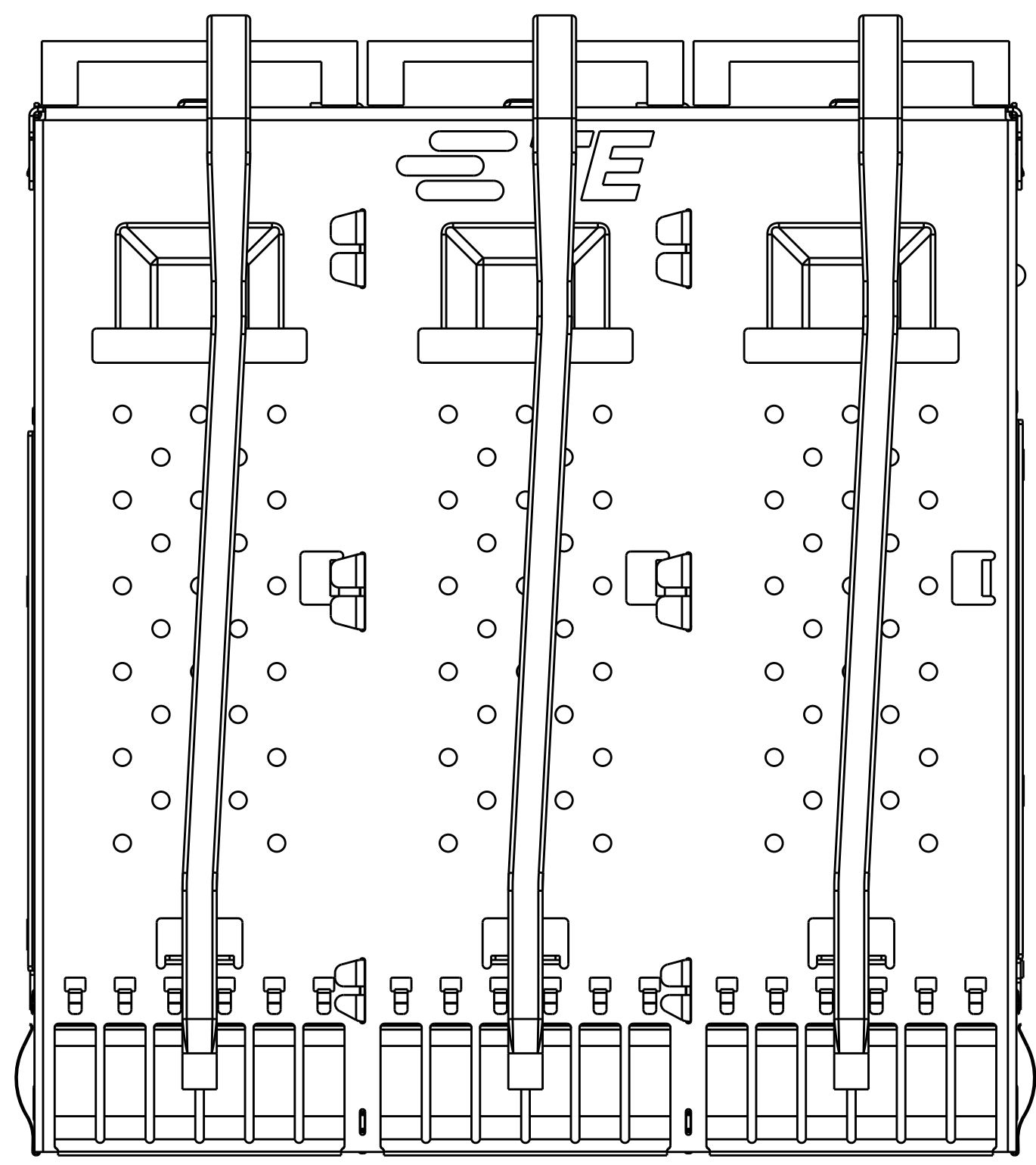
DETAIL C
 SCALE 6:1

DUAL	WITHOUT	2170739-2
DUAL	WITH	2170739-1
LIGHT PIPE OPTIONAL	REAR PINS OPTIONAL	PART NUMBER

THIS DRAWING IS A CONTROLLED DOCUMENT.		DWN BING LIU 04JUL2014	TE Connectivity	
DIMENSIONS: mm		CHK JASON YANG 04JUL2014		
TOLERANCES UNLESS OTHERWISE SPECIFIED:		APVD SEAN HAN 03NOV2016	NAME RECEPTACLE CAGE ASSEMBLY WITH LIGHT PIPES, THRU BEZEL, 1X3, QSFP28	
0 PLC ± 1 PLC ±0.25 2 PLC ±0.2 3 PLC ± 4 PLC ± ANGLES ± FINISH ±		PRODUCT SPEC 108-19428	SIZE A2	
MATERIAL SEE NOTES		APPLICATION SPEC 114-32023	CAGE CODE 00779	
SEE NOTES		WEIGHT -	DRAWING NO C-2170739	
CUSTOMER DRAWING		SCALE 3:1		SHEET 1 OF 6

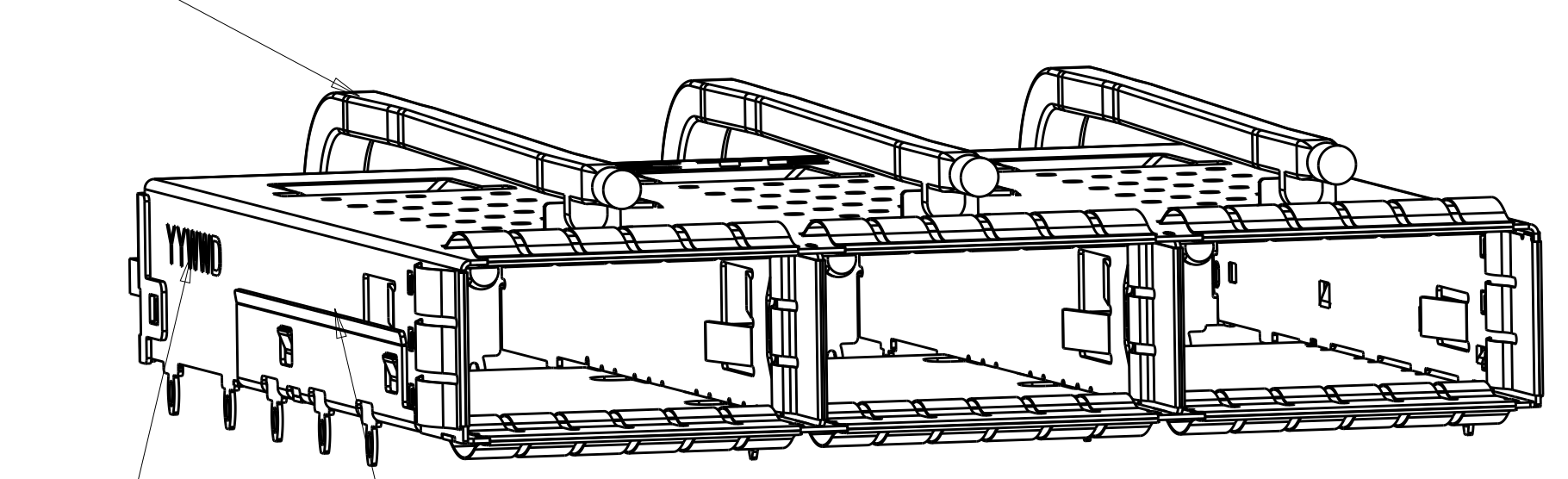
THIS DRAWING IS UNPUBLISHED. RELEASED FOR PUBLICATION 20
 © COPYRIGHT 20 BY - ALL RIGHTS RESERVED.

LOC		DIST		REVISIONS			
P	LTR	DESCRIPTION		DATE	DWN	APVD	
-	-	SEE SHEET 1		-	-	-	



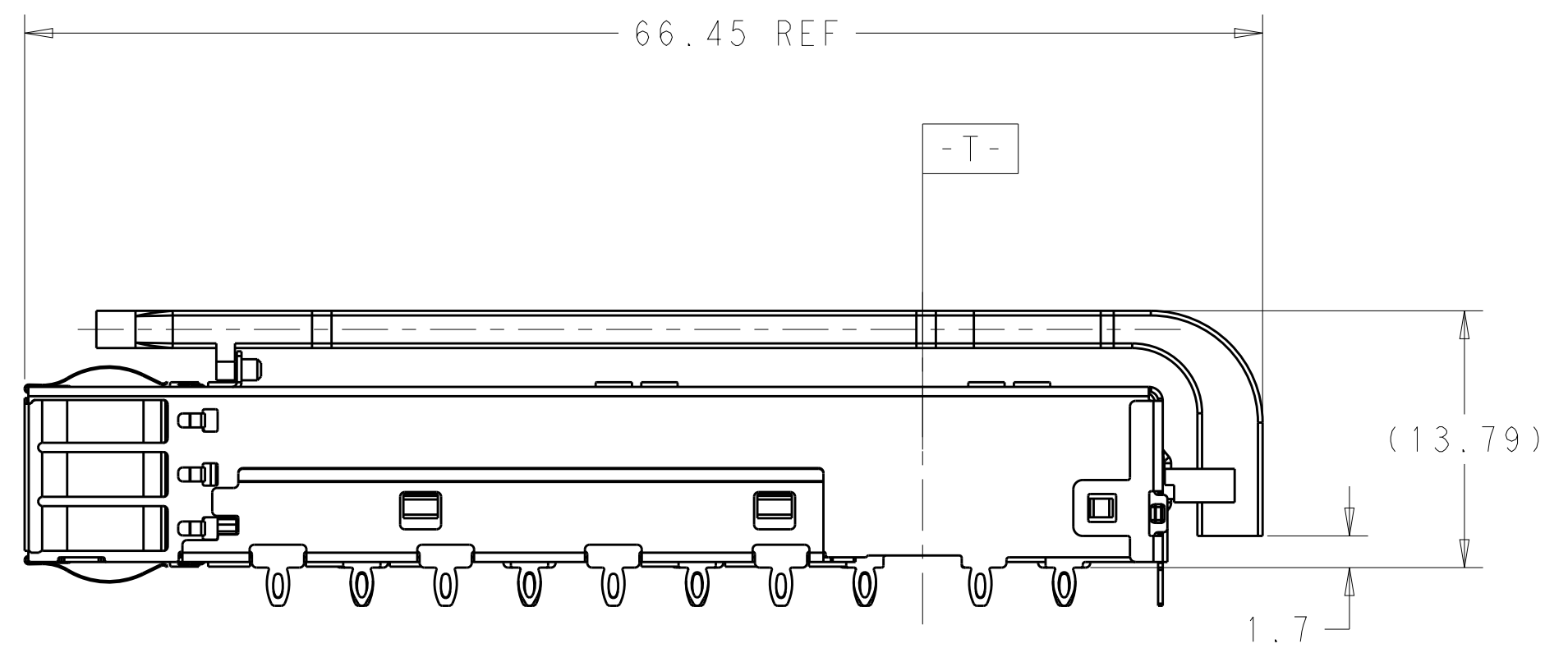
SCALE 3:1
 UNDIMENSIONED DIMENSION SAME AS 2170739-1

LIGHT PIPE



SCALE 3:1

1X3 CAGE ASSEMBLY

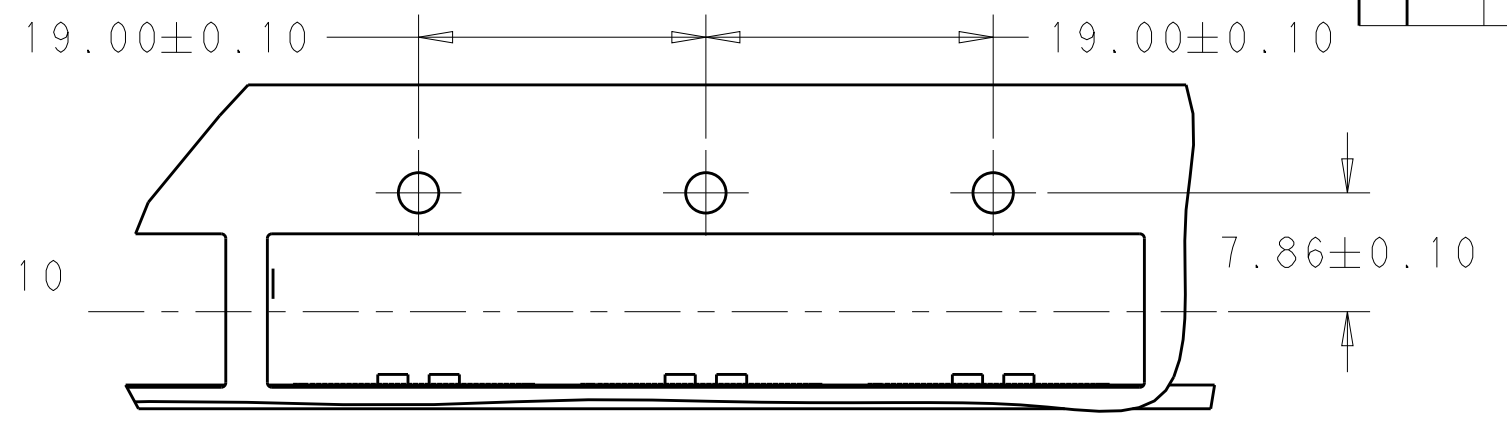
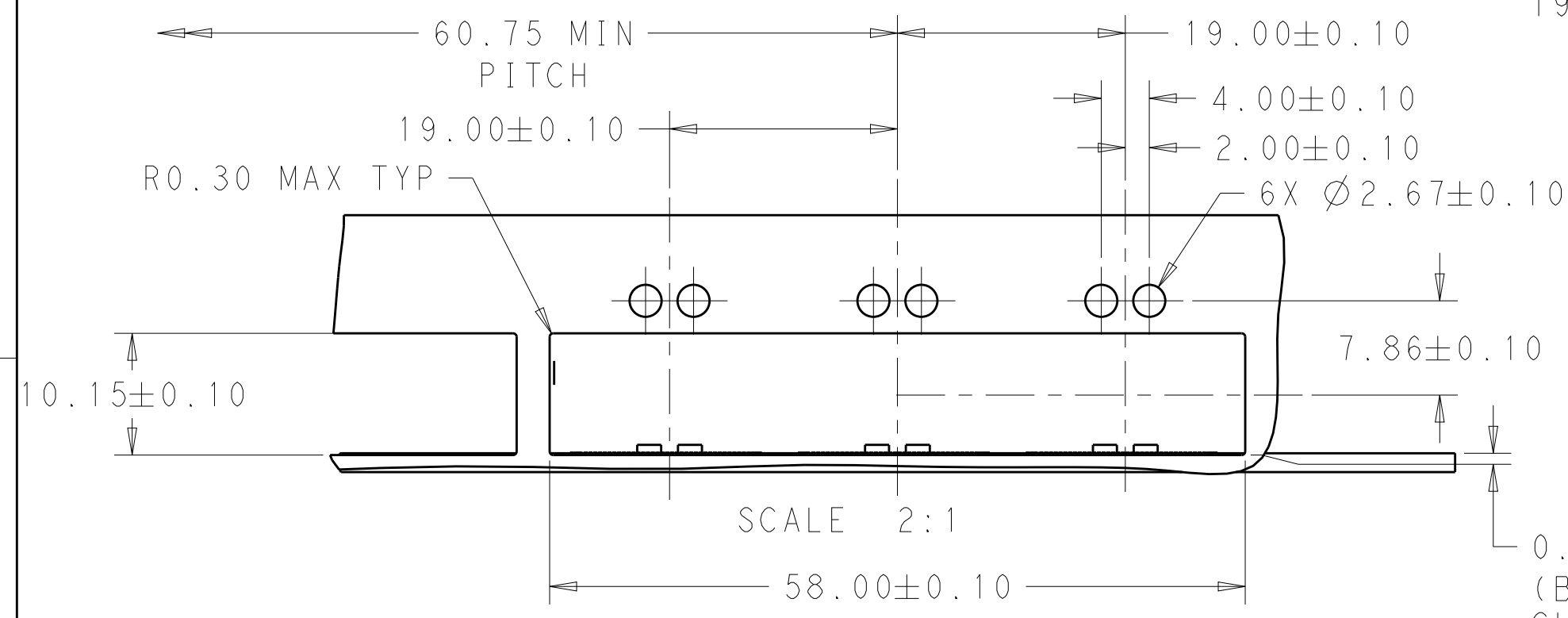


SINGLE LIGHT PIPE OPTIONAL	WITH REAR PINS OPTIONAL	2170739-3 PART NUMBER
----------------------------	-------------------------	-----------------------

THIS DRAWING IS A CONTROLLED DOCUMENT.		DWN BING LIU 04JUL2014	TE Connectivity
DIMENSIONS: mm		CHK JASON YANG 04JUL2014	
TOLERANCES UNLESS OTHERWISE SPECIFIED:		APVD SEAN HAN 03NOV2016	
0 PLC ± 1 PLC ±0.25 2 PLC ±0.2 3 PLC ± 4 PLC ± ANGLES ± FINISH		NAME RECEPTACLE CAGE ASSEMBLY WITH LIGHT PIPES, THRU BEZEL, 1X3, QSFP28 PRODUCT SPEC 108-19428 APPLICATION SPEC 114-32023 WEIGHT -	
MATERIAL SEE NOTES material_2	FINISH SEE NOTES finish_spec_2	CUSTOMER DRAWING	SIZE A200779 CAGE CODE C-2170739 DRAWING NO C-2170739 RESTRICTED TO - SCALE 3:1 SHEET 2 OF 6 REV A

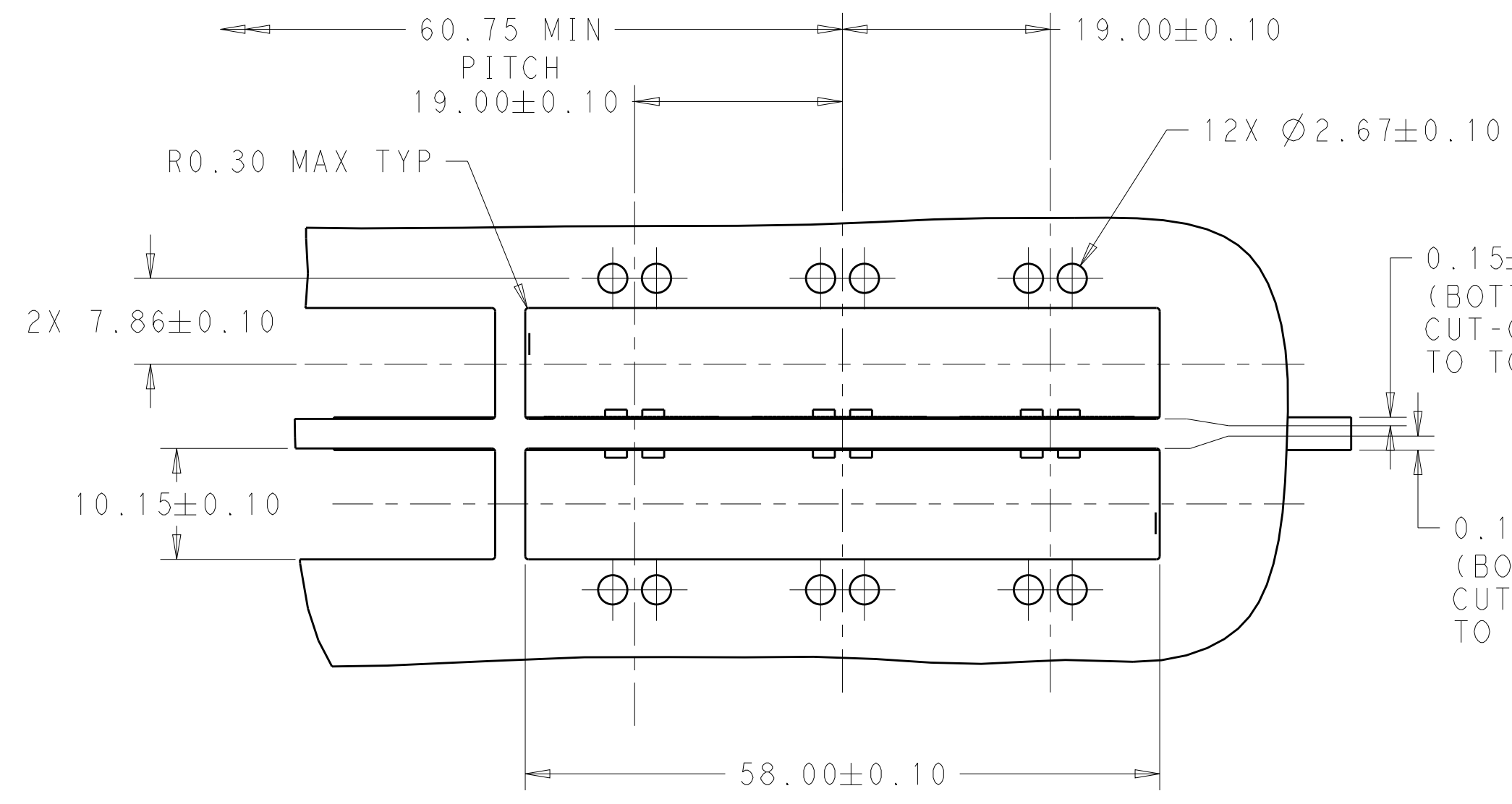
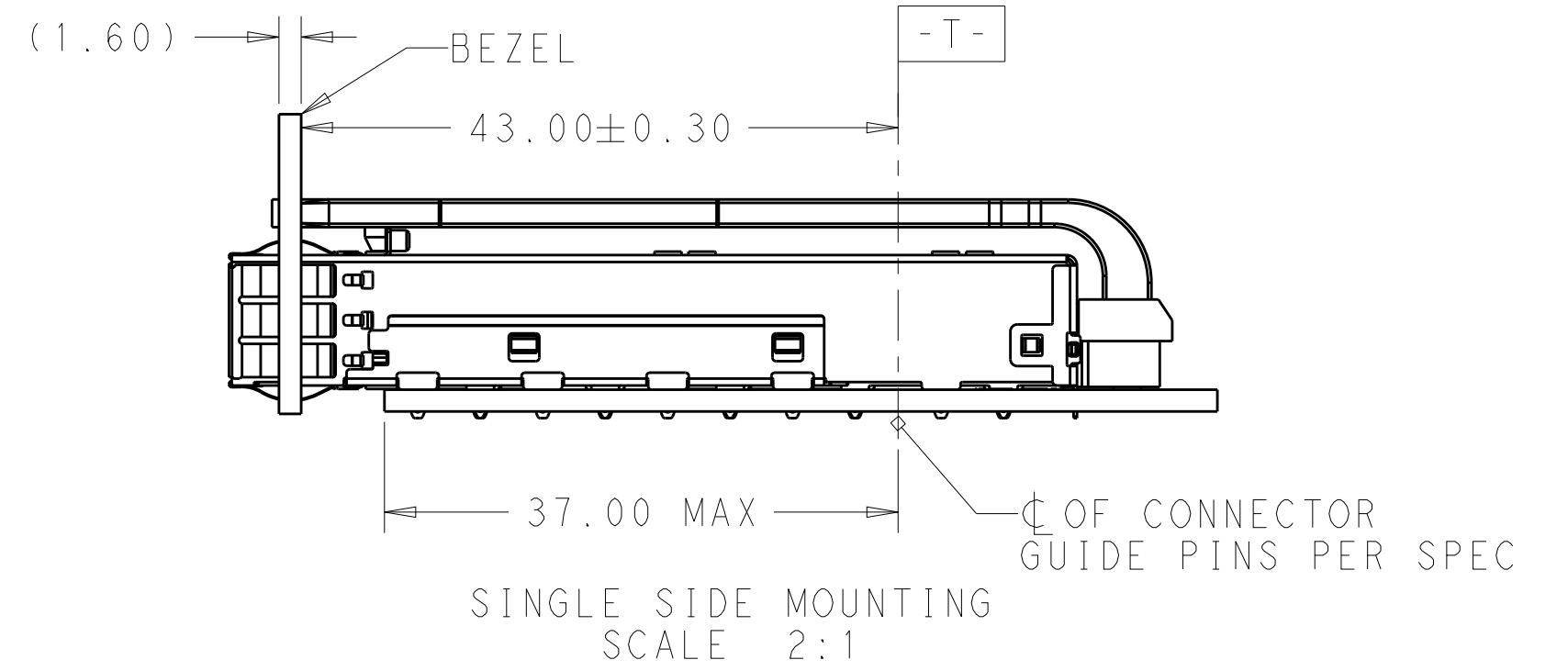
THIS DRAWING IS UNPUBLISHED. RELEASED FOR PUBLICATION 20
 © COPYRIGHT 20 BY - ALL RIGHTS RESERVED.

LOC		DIST		REVISIONS			
P	LTR	DESCRIPTION	DATE	DWN	APVD		
-	-	SEE SHEET 1	-	-	-		



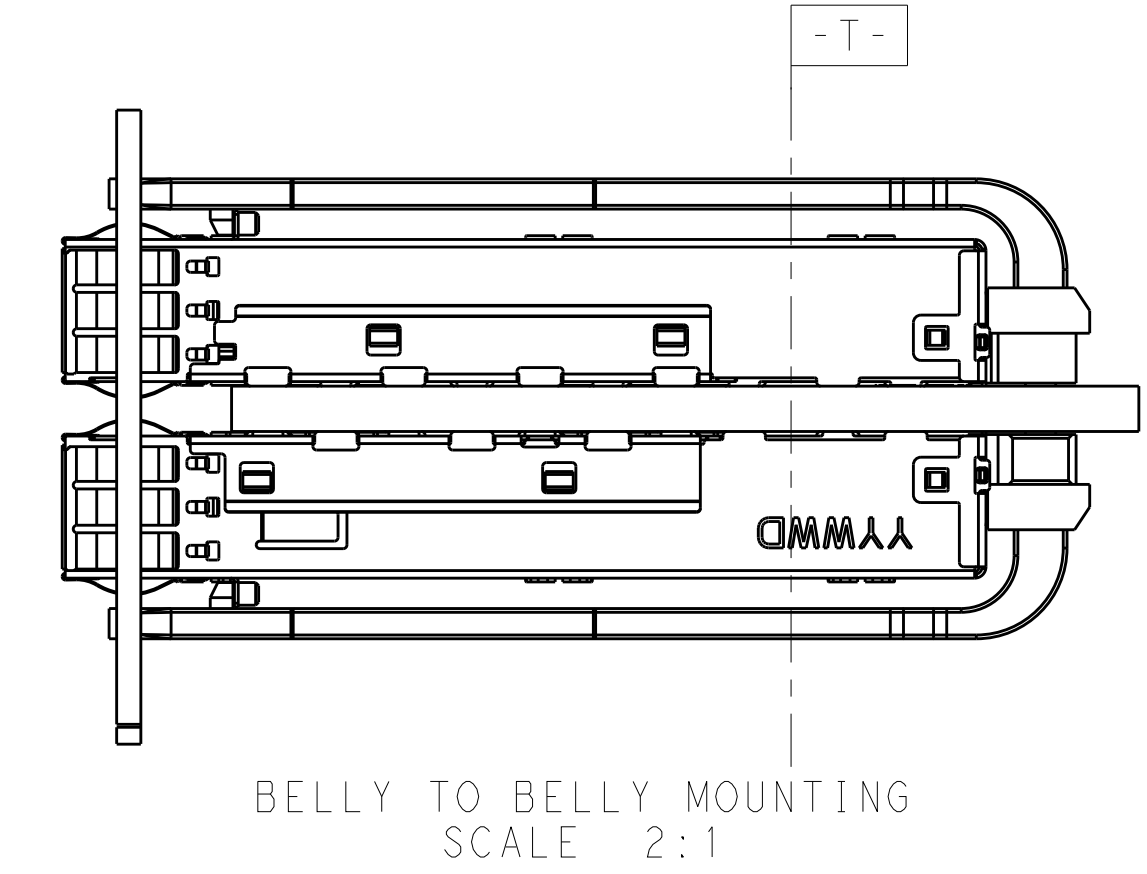
SCALE 2:1
 FOR SINGLE LP APPLICATION, UNDIMENSIONED
 DIMENSION SAME AS DUAL LP APPLICATION

0.15±0.10
 (BOTTOM OF
 CUT-OUT IN BEZEL
 TO TOP PCB)



0.15±0.10
 (BOTTOM OF
 CUT-OUT IN BEZEL
 TO TOP PCB)

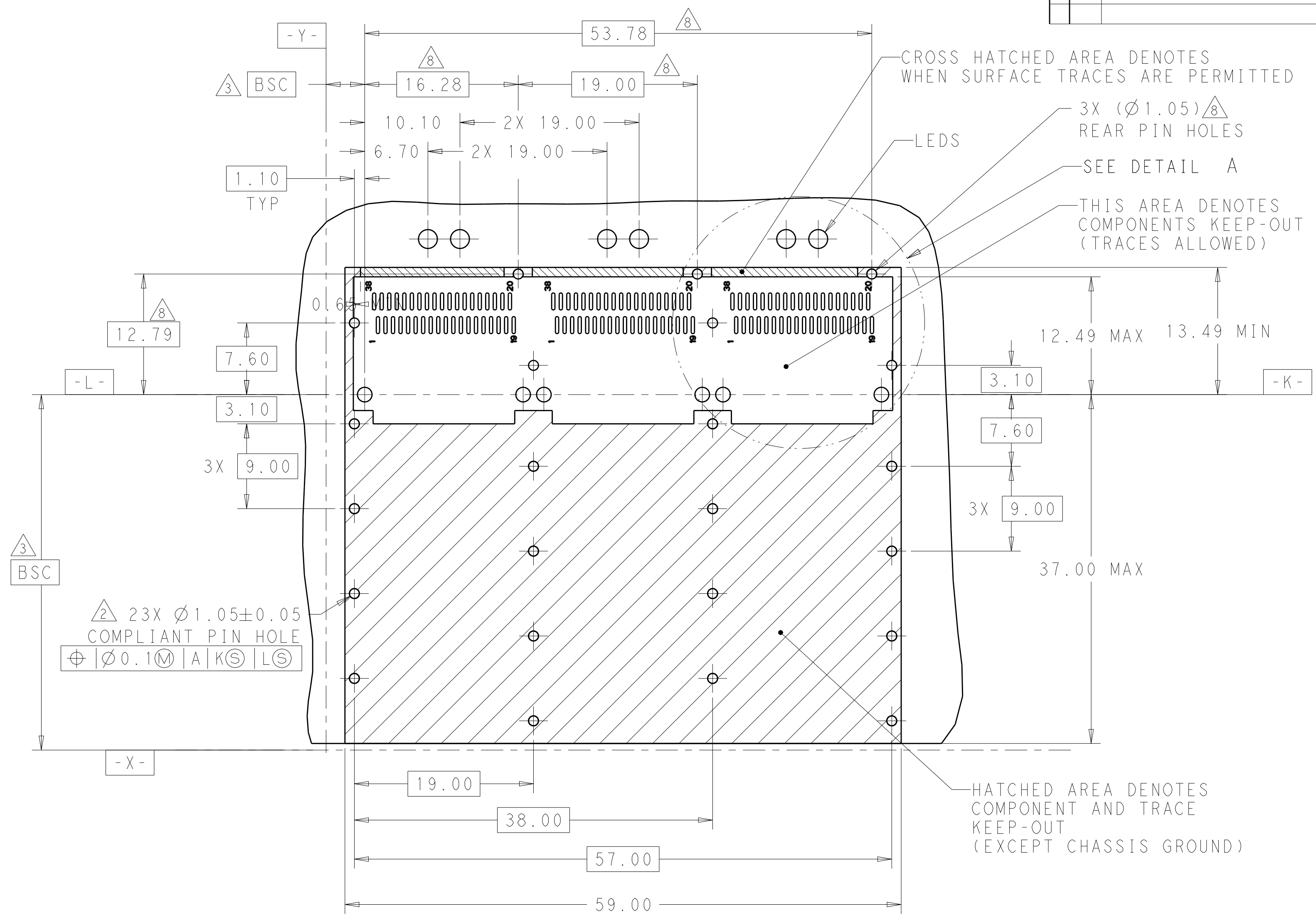
0.15±0.10
 (BOTTOM OF
 CUT-OUT IN BEZEL
 TO TOP PCB)




THIS DRAWING IS A CONTROLLED DOCUMENT.		DWN BING LIU 04JUL2014	TE Connectivity	
DIMENSIONS: mm		CHK JASON YANG 04JUL2014		
TOLERANCES UNLESS OTHERWISE SPECIFIED:		APVD SEAN HAN 03NOV2016	NAME RECEPTACLE CAGE ASSEMBLY WITH LIGHT PIPES, THRU BEZEL, 1X3, QSFP28	
0 PLC ± 1 PLC ±0.25 2 PLC ±0.2 3 PLC ± 4 PLC ±		PRODUCT SPEC 108-19428	SIZE A200779	DRAWING NO C-2170739
MATERIAL SEE NOTES material_2		FINISH SEE NOTES finish_spec_2	APPLICATION SPEC 114-32023	RESTRICTED TO -
		WEIGHT -	SCALE 3:1	SHEET 3 OF 6
		CUSTOMER DRAWING	REV A	

THIS DRAWING IS UNPUBLISHED. RELEASED FOR PUBLICATION 20
 © COPYRIGHT 20 BY - ALL RIGHTS RESERVED.

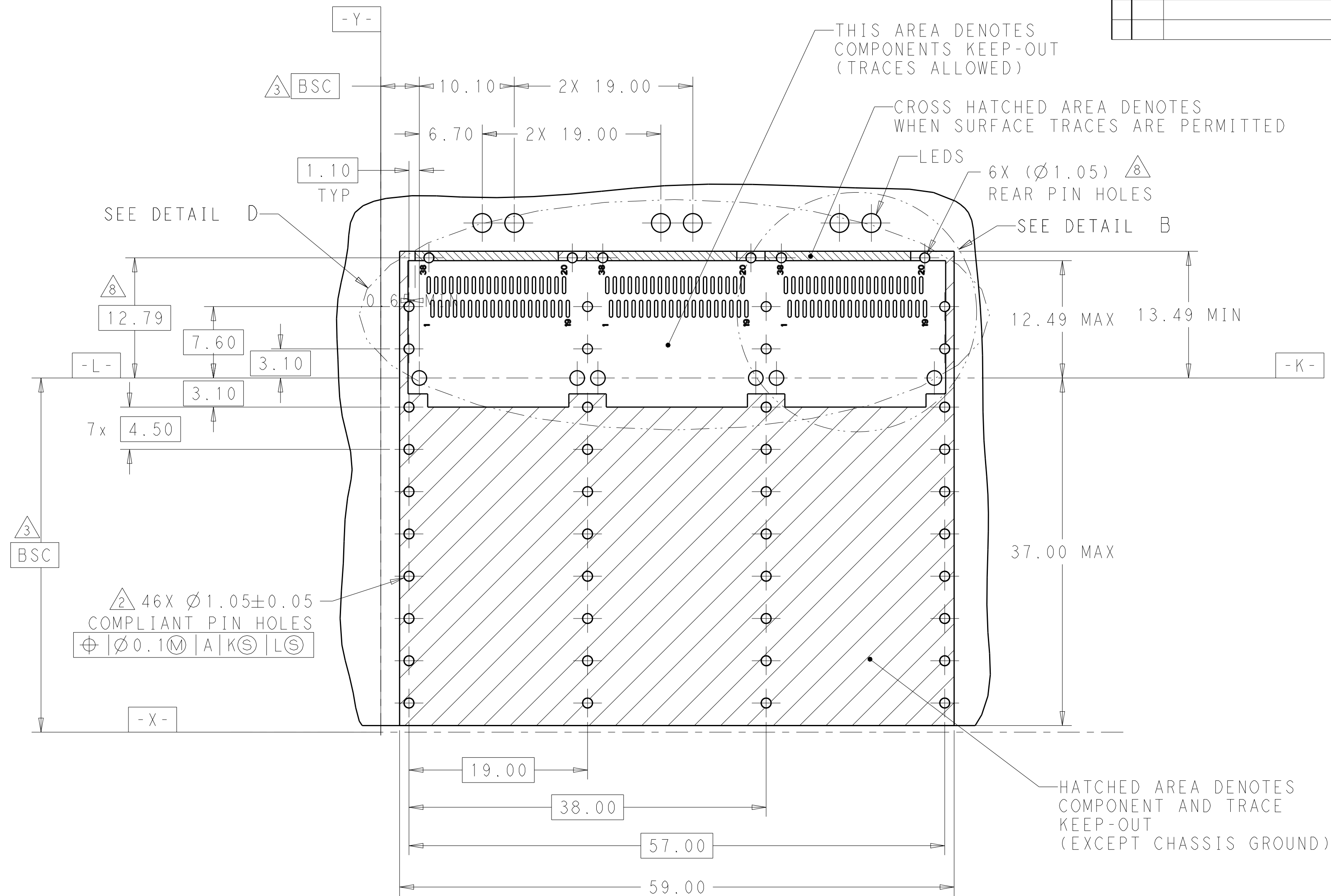
LOC		DIST		REVISIONS			
P	LTR	DESCRIPTION	DATE	DWN	APVD		
-	-	SEE SHEET 1	-	-	-		




RECOMMENDED PCB LAYOUT
 SINGLE TYPE
 PCB TOLERANCE: ±0.05
 SCALE 3:1

THIS DRAWING IS A CONTROLLED DOCUMENT.		DWN	04JUL2014	 TE Connectivity					
DIMENSIONS: mm		CHK	04JUL2014						
TOLERANCES UNLESS OTHERWISE SPECIFIED:		APVD	03NOV2016						
0 PLC ± 1 PLC ±0.25 2 PLC ±0.2 3 PLC ± 4 PLC ± ANGLES ± FINISH SEE NOTES		NAME	RECEPTACLE CAGE ASSEMBLY WITH LIGHT PIPES, THRU BEZEL, 1X3, QSFP28						
MATERIAL SEE NOTES material_2		PRODUCT SPEC	108-19428	SIZE	A200779	CAGE CODE	C-2170739	DRAWING NO	RESTRICTED TO
FINISH SEE NOTES finish_spec_2		APPLICATION SPEC	114-32023	SCALE	3:1	SHEET	4 OF 6	REV	A
CUSTOMER DRAWING		WEIGHT	-						

LOC	DIST	REVISIONS			
P	LTR	DESCRIPTION	DATE	DWN	APVD
-	-	SEE SHEET 1	-	-	-

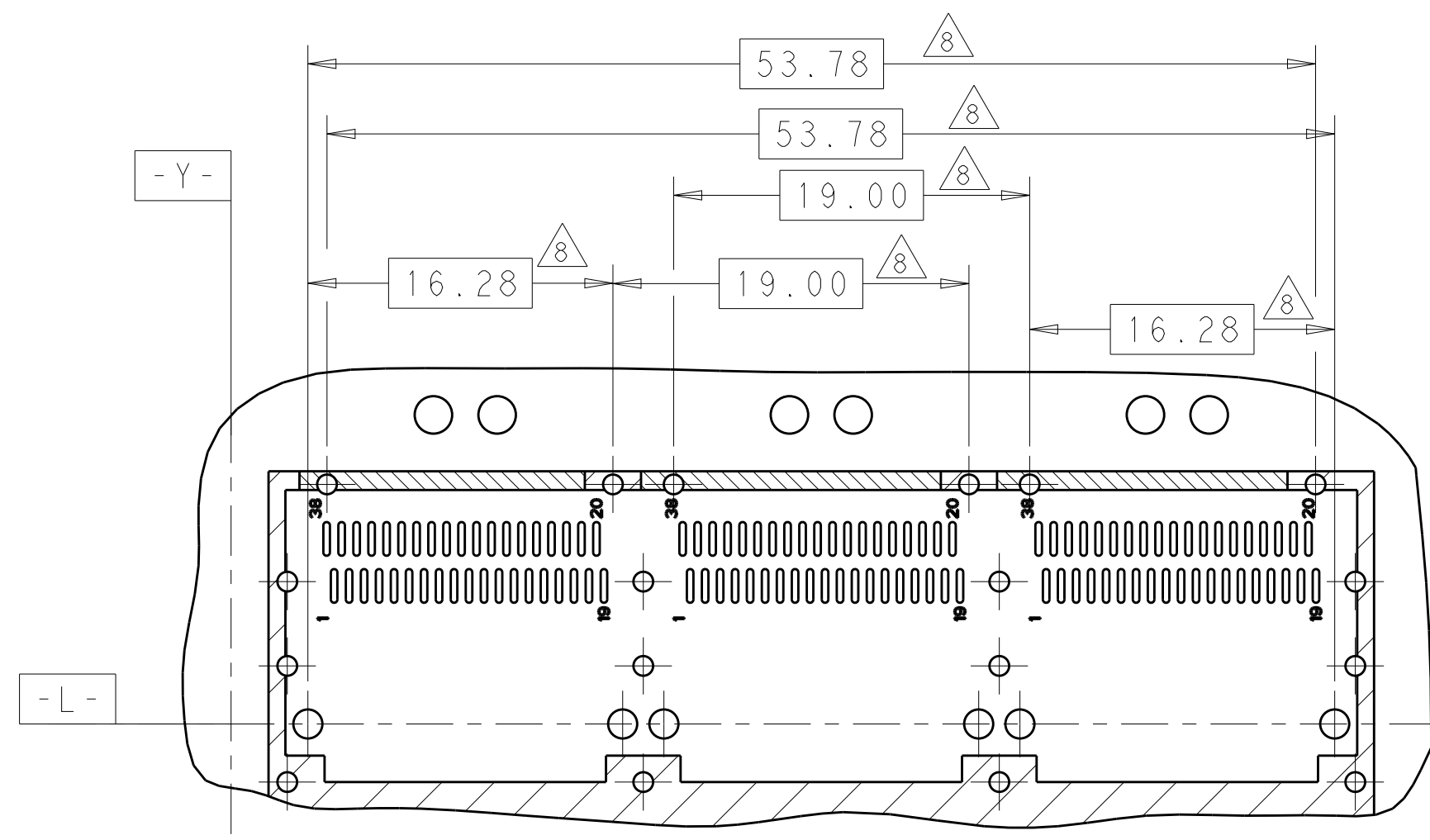


RECOMMENDED PCB LAYOUT
 BELLY TO BELLY TYPE
 PCB TOLERANCE: ±0.05
 SCALE 3:1

THIS DRAWING IS A CONTROLLED DOCUMENT.		DWN BING LIU 04JUL2014	 TE Connectivity	
DIMENSIONS: mm		CHK JASON YANG 04JUL2014		
TOLERANCES UNLESS OTHERWISE SPECIFIED:		APVD SEAN HAN 03NOV2016	NAME RECEPTACLE CAGE ASSEMBLY WITH LIGHT PIPES, THRU BEZEL, 1X3, QSFP28	
0 PLC ± 1 PLC ±0.25 2 PLC ±0.2 3 PLC ± 4 PLC ± ANGLES ± FINISH		PRODUCT SPEC 108-19428	SIZE A200779	
MATERIAL SEE NOTES material_2		APPLICATION SPEC 114-32023	DRAWING NO C-2170739	
FINISH SEE NOTES finish_spec_2		WEIGHT -	RESTRICTED TO -	
CUSTOMER DRAWING		SCALE 3:1	SHEET 5 OF 6 REV A	

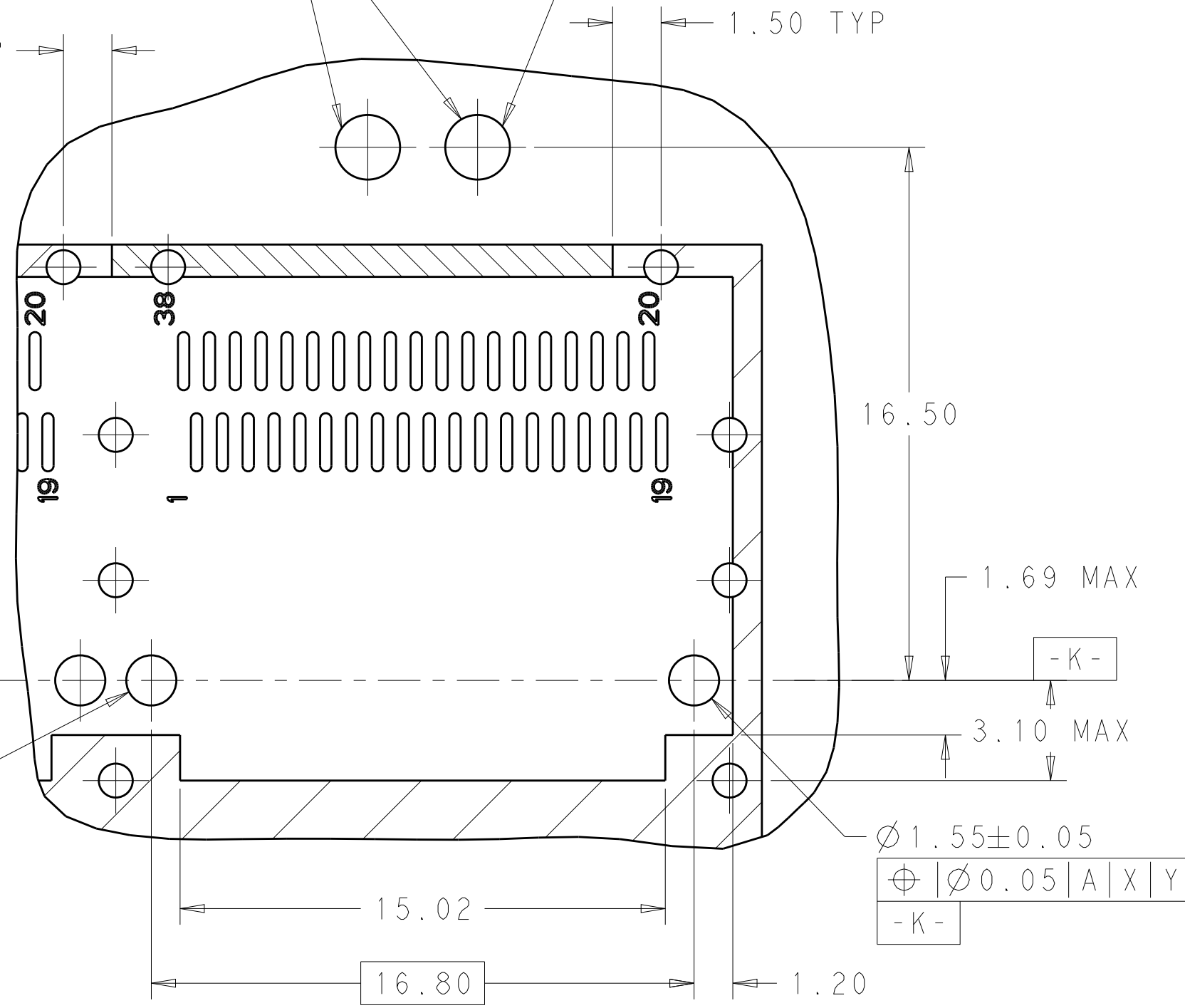
THIS DRAWING IS UNPUBLISHED. RELEASED FOR PUBLICATION 20
 © COPYRIGHT 20 BY - ALL RIGHTS RESERVED.

LOC		DIST		REVISIONS			
P	LTR	DESCRIPTION	DATE	DWN	APVD		
-	-	SEE SHEET 1	-	-	-		



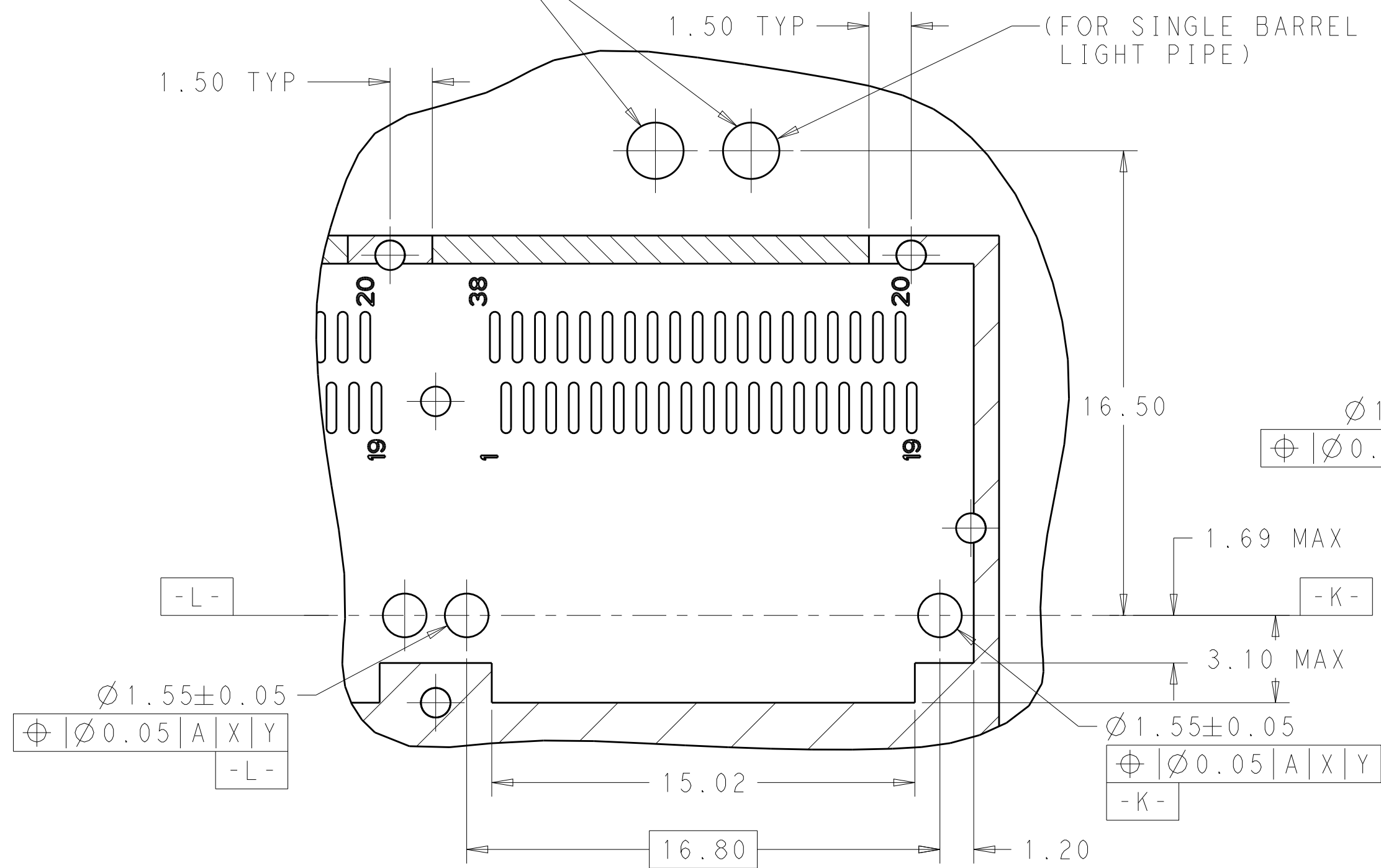
DETAIL D
SCALE 3:1

(FOR DUAL BARREL LIGHT PIPE)
 (FOR SINGLE BARREL LIGHT PIPE)



DETAIL B
SCALE 6:1

(FOR DUAL BARREL LIGHT PIPE)
 (FOR SINGLE BARREL LIGHT PIPE)



DETAIL A
SCALE 6:1

THIS DRAWING IS A CONTROLLED DOCUMENT.		DWN BING LIU 04JUL2014	TE Connectivity
DIMENSIONS: mm		CHK JASON YANG 04JUL2014	
TOLERANCES UNLESS OTHERWISE SPECIFIED:		APVD SEAN HAN 03NOV2016	NAME RECEPTACLE CAGE ASSEMBLY WITH LIGHT PIPES, THRU BEZEL, 1X3, QSFP28
0 PLC ±	1 PLC ±0.25	PRODUCT SPEC 108-19428	SIZE CAGE CODE DRAWING NO. RESTRICTED TO
2 PLC ±0.2	3 PLC ±	APPLICATION SPEC 114-32023	A200779 C-2170739
4 PLC ±	ANGLES ±	WEIGHT -	SCALE 3:1 SHEET 6 OF 6 REV A
MATERIAL SEE NOTES material_2	FINISH SEE NOTES finish_spec_2	CUSTOMER DRAWING	