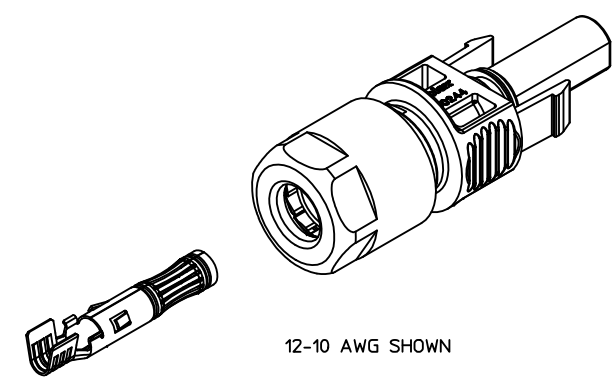
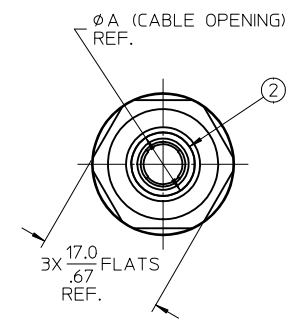
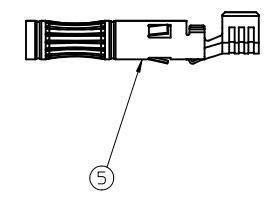
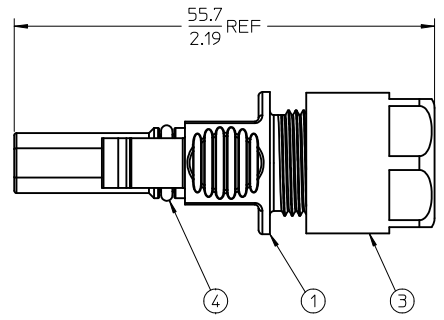
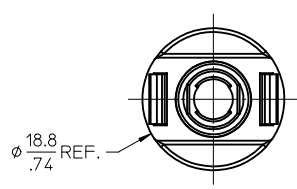


1302441203	2.5 mm ² / 14 AWG	5.8-6.7 / .23-.26	7.0 / .28
1302441201	4.0-6.0 mm ² / 12-10 AWG	6.7-7.8 / .26-.31	8.4 / .33
MATERIAL NO.	CABLE SIZE	CABLE Ø RANGE	DIM. "A"



12-10 AWG SHOWN



NOTES:

1. MATERIALS: SEE TABLE
2. FINISHES: SEE TABLE
3. PRODUCT SPECIFICATION: PS-130244-001
4. PACKAGING SPECIFICATION: PK-130244-021
5. MATES WITH: 1302441202 OR 1302441204
6. ASSEMBLY IS ROHS COMPLIANT.
7. 5 ASSEMBLIES PER KIT.

ITEM	QTY	DESCRIPTION	MATERIAL	FINISH
5	1	CONTACT, SOCKET	COPPER ALLOY	SELECTIVE SILVER
4	1	O-RING SEAL	SILICONE	DARK GRAY
3	1	CABLE RETENTION NUT	POLYCARBONATE (PC)	BLACK
2	1	CABLE GROMMET	SILICONE	TRANSLUCENT
1	1	SOCKET HOUSING	POLYCARBONATE (PC)	BLACK

PRELIMINARY	EC NO: WNA2011-0282	2010/11/24
DRW: NCLYORK	CHK: DDTITUS	2010/12/06
APP: DDTITUS		
REV	DESCRIPTION	
2		

QUALITY SYMBOLS
▽=0
▽=0

GENERAL TOLERANCES (UNLESS SPECIFIED)
4 PLACES ± --- ± ---
3 PLACES ± --- ± .005
2 PLACES ± 0.13 ± .010
1 PLACE ± 0.25 ± ---
ANGULAR ± 2 °
DRAFT WHERE APPLICABLE MUST REMAIN WITHIN DIMENSIONS

DIMENSION STYLE	MM/IN
DRAWN BY	DATE
CYORK	2010/08/13
CHECKED BY	DATE
DTITUS	2010/08/13
APPROVED BY	DATE
DTITUS	2010/12/06
MATERIAL NO.	SEE CHART
SIZE	C

SCALE	DESIGN UNITS	THIRD ANGLE PROJECTION
2:1	METRIC	
TITLE		
SOCKET ASSEMBLY KIT, PV SOLAR DC CONNECTOR, 14-10 AWG		
MOLEX MOLEX INCORPORATED		
DOCUMENT NO.	SHEET NO.	
SD-130244-021	1 OF 1	
THIS DRAWING CONTAINS INFORMATION THAT IS PROPRIETARY TO MOLEX INCORPORATED AND SHOULD NOT BE USED WITHOUT WRITTEN PERMISSION		