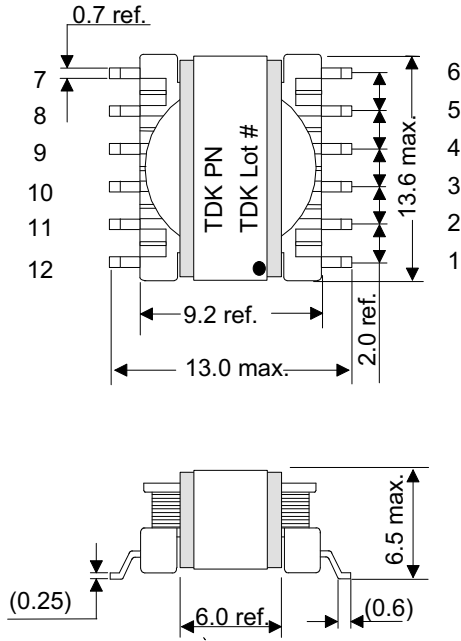
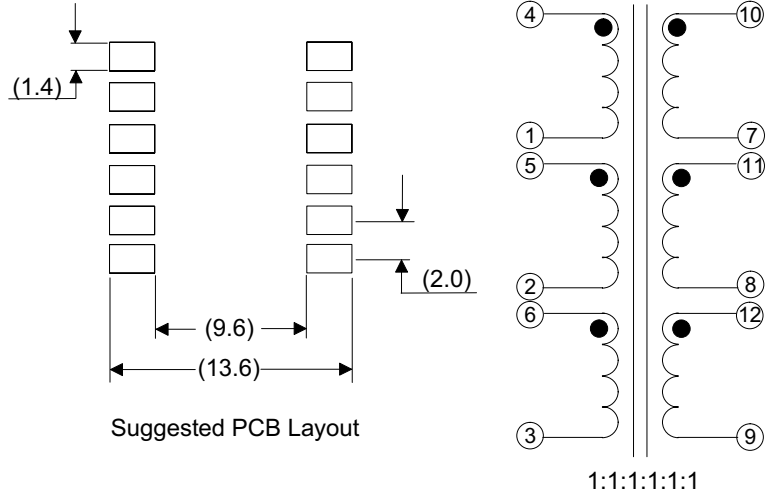


TDK SMD MULTI WINDING TRANSFORMER PCA11/5ER SERIES

Mechanical



Schematic



TDK Part Number	Inductance uH @ 10KHz, 0.1 Vrms		*1 I _{dc} 1 Amps (Typ.)		*2 I _{dc} 2 Amps (Typ.)		DCR m Ohms (±15%)		ET Constant V-µS (Max.)		Leakage Inductance nH (Typ.)
	*3 Parallel	*4 Series	*3 Parallel	*4 Series	*3 Parallel	*4 Series	*3 Parallel	*4 Series	*3 Parallel	*4 Series	Single
	PCA11/5ER-U01S002	193.0±30%	6.9mH±30%	0.11	0.02	2.6	0.44	44.4	1607	42.8	257
PCA11/5ER-U02S002	85.8±30%	3.1mH±30%	0.17	0.03	4.2	0.70	18.4	668	28.6	171	155
PCA11.5ER-U03S002	27.4±20%	985±20%	1.76	0.29	2.6	0.44	44.4	1607	42.8	257	183
PCA11/5ER-U04S002	12.2±20%	438±20%	2.60	0.43	4.2	0.70	18.4	668	28.6	171	155
PCA11/5ER-U05S002	14.7±20%	529±20%	3.74	0.62	2.6	0.44	44.4	1607	42.8	257	183
PCA11/5ER-U06S002	6.5±20%	235±20%	5.26	0.88	4.2	0.70	18.4	668	28.6	171	155
PCA11/5ER-U07S002	10.9±20%	394±20%	5.19	0.87	2.6	0.44	44.4	1607	42.8	257	183
PCA11/5ER-U08S002	4.9±20%	175±20%	7.50	1.25	4.2	0.70	18.4	668	28.6	171	155
PCA11/5ER-U09S002	8.5±20%	306±20%	6.57	1.10	2.6	0.44	44.4	1607	42.8	257	183
PCA11/5ER-U10S002	3.8±20%	136±20%	9.24	1.54	4.2	0.70	18.4	668	28.6	171	155

Electrical Specifications @ 23 degrees C

*1 I_{dc} 1 = Depend on inductance saturation. (-30% reduction from nominal L value).
 *2 I_{dc} 2 = Depend on self temperature rise. (40 degC typ at specified I_{dc}2).
 *3 Parallel 6 coils connected in parallel
 *4 Series 6 coils connected in series.
 Hi - Pot between each individual coil to the others five 500 Vac, 2s, 2mA.
 Operating Temperature -40 degC to +85 degC.

RoHS Compliant :
 Conformity to RoHS Directive: This means that, in conformity with EU Directive 2002/95/EC, cadmium, mercury, hexavalent chromium, and specific bromine-based flame retardants, PBB and PBDE, have not been used except for exempted applications.



TDK USA Corporation / Component Engineering Laboratory

Copyright© 1997- 2006 TDK USA CORPORATION. All rights reserved.

rev. May 05'06