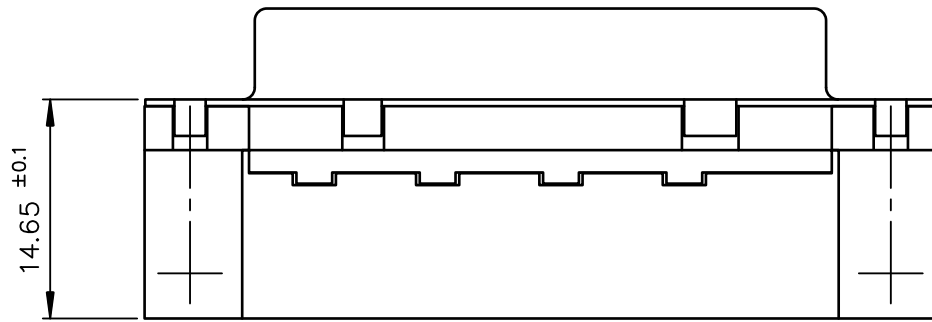
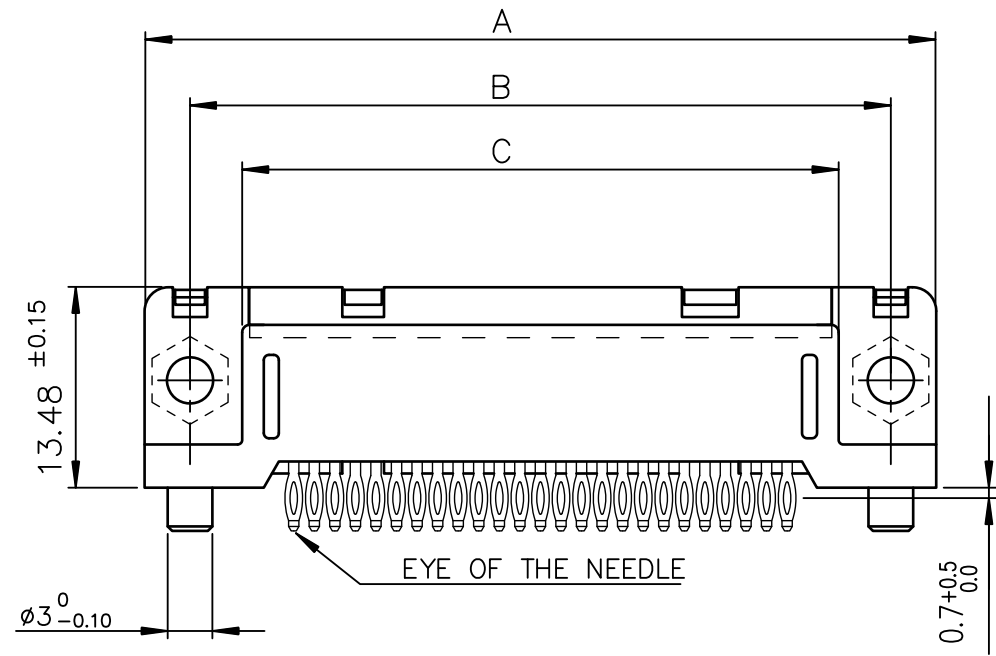


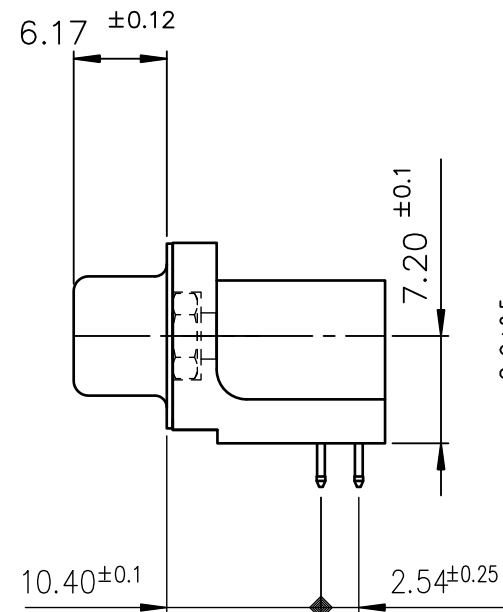


FCIconnect.com

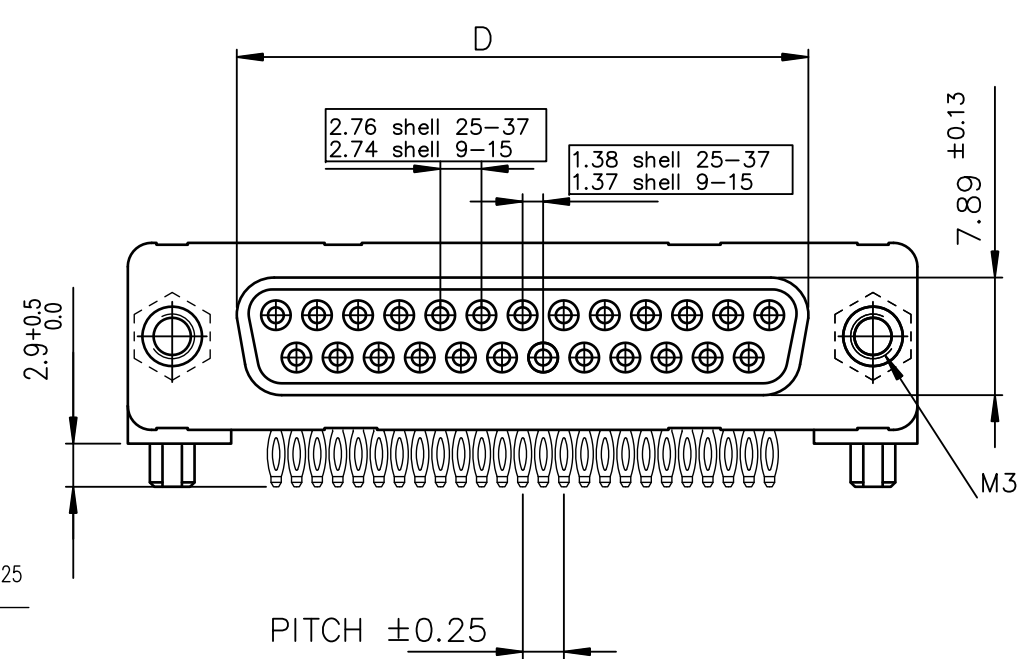
Copyright FCI



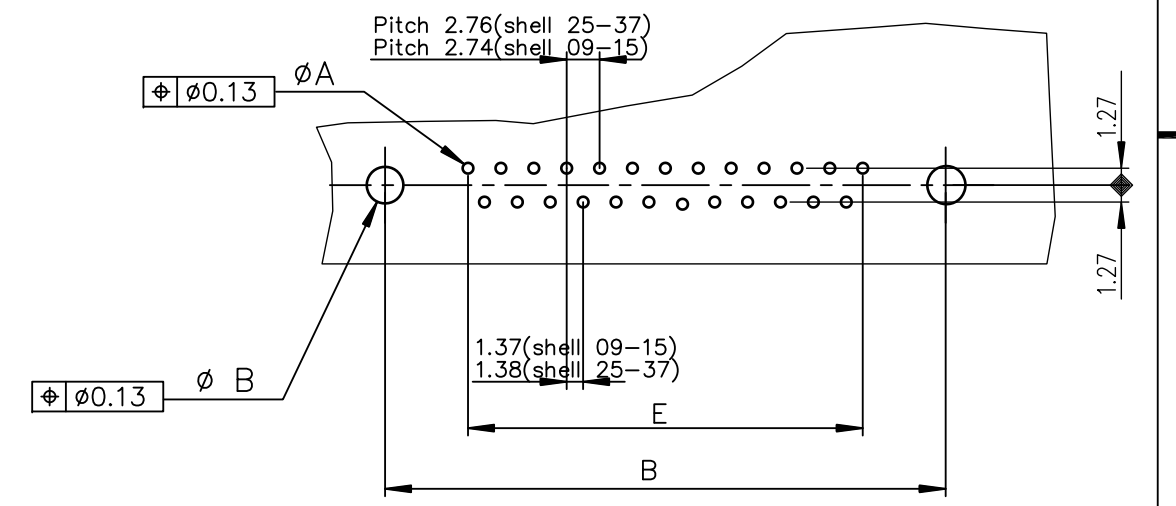
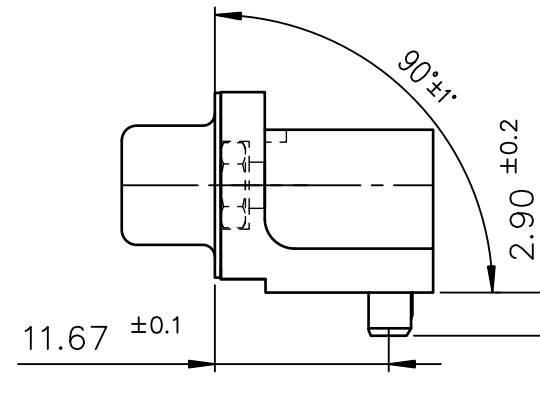
view shown without plastic pin



Detail of plastic pin



PC card drilling dimensions(after plating)
(thickness 1.60 ±0.20)



TIN LEAD PART NUMBER

SHELL	A±0.38	B±0.12	C±0.10	D±0.25	E±0.07	PART NUMBER	PART NUMBER
09	30.81	24.99	18.00	16.21	10.96	D09S81C4PL00	D09S81C6PL00
15	39.14	33.32	26.32	24.54	19.18	D15S81C4PL00	D15S81C6PL00
25	53.03	47.04	40.04	38.25	33.12	D25S81C4PL00	D25S81C6PL00
37	69.32	63.50	56.50	54.71	49.68	D37S81C4PL00	D37S81C6PL00
						Gold flash	0.76 µ gold

LEAD FREE PART NUMBER

SHELL	A±0.38	B±0.12	C±0.10	D±0.25	E±0.07	PART NUMBER	PART NUMBER
09	30.81	24.99	18.00	16.21	10.96	D09S81C4PL00LF	D09S81C6PL00LF
15	39.14	33.32	26.32	24.54	19.18	D15S81C4PL00LF	D15S81C6PL00LF
25	53.03	47.04	40.04	38.25	33.12	D25S81C4PL00LF	D25S81C6PL00LF
37	69.32	63.50	56.50	54.71	49.68	D37S81C4PL00LF	D37S81C6PL00LF
						Gold flash	0.76 µ gold

GENERAL CHARACTERISTICS AND ROHS INFORMATIONS:

SEE DRAWING C01-8646-0001

mat'l. code		surface ISO 1302 ✓		tolerance ISO 406 ISO 1101		projection		product family	
-						MM		D-SUB	
ltr		ecn no		dr		date		title	
G		ELX-I-18050		MP		2014/06/23		FEMALE CONNECTOR DELTA-D EUROPE RIGHT ANGLED PRESS FIT	
angles		linear						dwg no	
0°±2'								sheet 1 of 1	
				dr		1997/10/22		size	
				enr		2014/06/23		A3	
				chr		2014/06/23		C01-8646-0576	
				appd		2014/06/23		type	
				BIJU K PAUL				Product Customer Drawing	
sheet index		revision sheet		G		1			