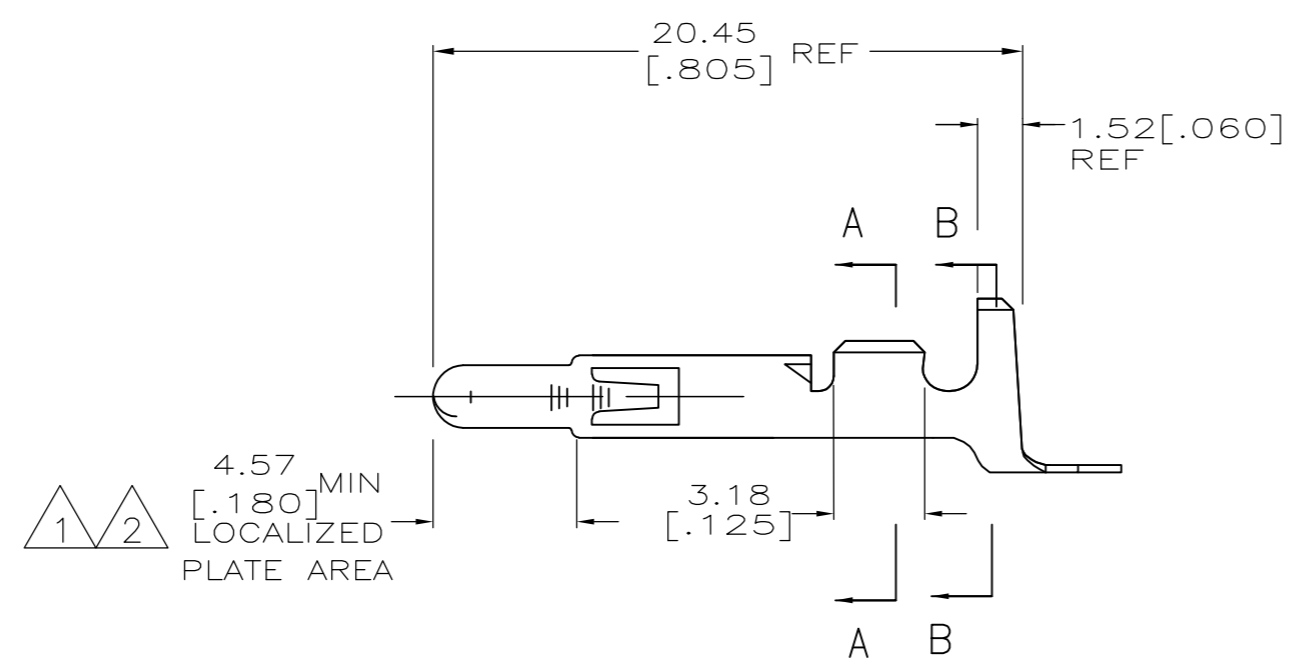
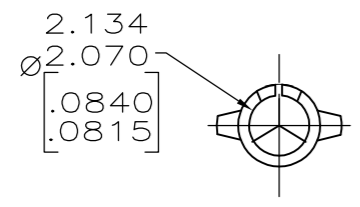
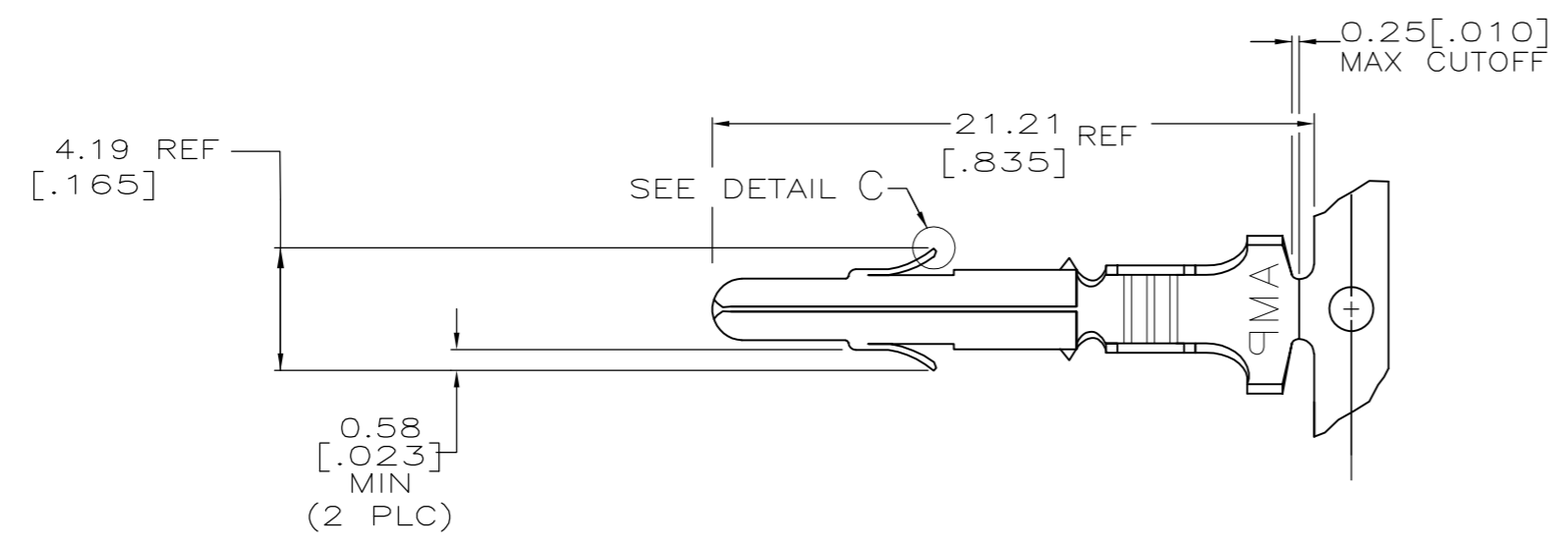
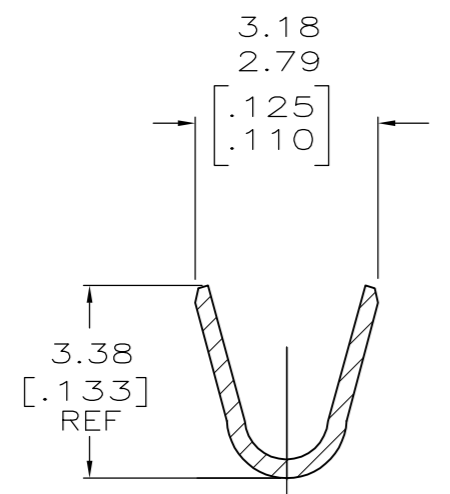
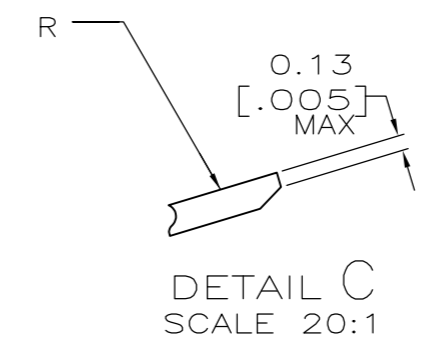


THIS DRAWING IS UNPUBLISHED. RELEASED FOR PUBLICATION  
 © COPYRIGHT - By - ALL RIGHTS RESERVED.

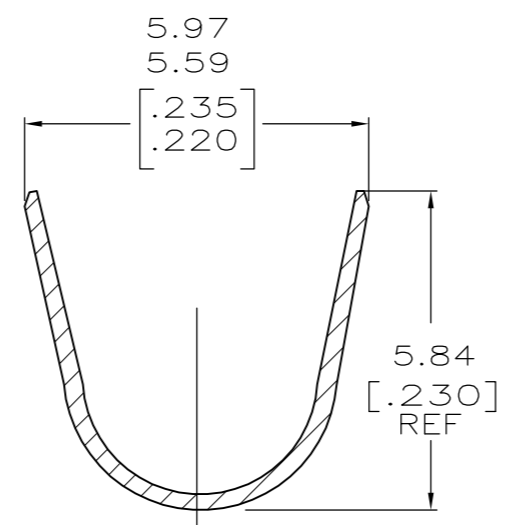
LOC		DIST		REVISIONS			
P	LTR	DESCRIPTION		DATE	DWN	APVD	
CM	00	AB	REVISED PER ECR-12-013323		09AUG12	KH	TM



- 1 0.00076[.000030] MIN THK GOLD IN LOCALIZED PLATE AREA AND 0.000127[.000005] MIN THK GOLD FLASH ON REMAINDER OF CONTACT OVER 0.00127[.000050] MIN THK NICKEL UNDERPLATE.
- 2 0.00076[.000030] MIN THK GOLD IN LOCALIZED PLATE AREA OVER 0.00127[.000050] MIN THK NICKEL UNDERPLATE.
- 3 DIMENSIONS IN BRACKETS ARE IN INCHES.
- 4 WIRE RANGE: 20-14 AWG  
INSULATION RANGE: 3.30-5.08 [.130-.200] DIA.



SECTION A-A  
SCALE 10:1



SECTION B-B  
SCALE 10:1

350552-7	GOLD	2	0.30 [.012]	BRASS	350538-7
350552-6	GOLD	2	0.30 [.012]	PH BZ	350538-6
350552-3	TIN		0.30 [.012]	PH BZ	350538-3
350552-2	GOLD	1	0.30 [.012]	BRASS	350538-2
350552-1	TIN		0.30 [.012]	BRASS	350538-1
LOOSE PIECE (REF)	FINISH			MATERIAL	PART NO

THIS DRAWING IS A CONTROLLED DOCUMENT.

DIMENSIONS: mm [INCHES]	TOLERANCES UNLESS OTHERWISE SPECIFIED:	DWN K. WHITAKER 16-FEB-04	TE Connectivity	
	0 PLC ± - 1 PLC ± - 2 PLC ± - 3 PLC ± 0.20.008] 4 PLC ± - ANGLES ± -	CHK S. RIDGILL 16-FEB-04	NAME PIN, UNIVERSAL MATE-N-LOK™	
MATERIAL SEE TABLE	FINISH SEE TABLE	APVD S. RIDGILL 16-FEB-04	SIZE A2	CAGE CODE 00779
		PRODUCT SPEC APPLICATION SPEC	DRAWING NO C=350538	RESTRICTED TO -
		WEIGHT -	SCALE 4:1	SHEET 1 OF 1
		CUSTOMER DRAWING	REV AB	