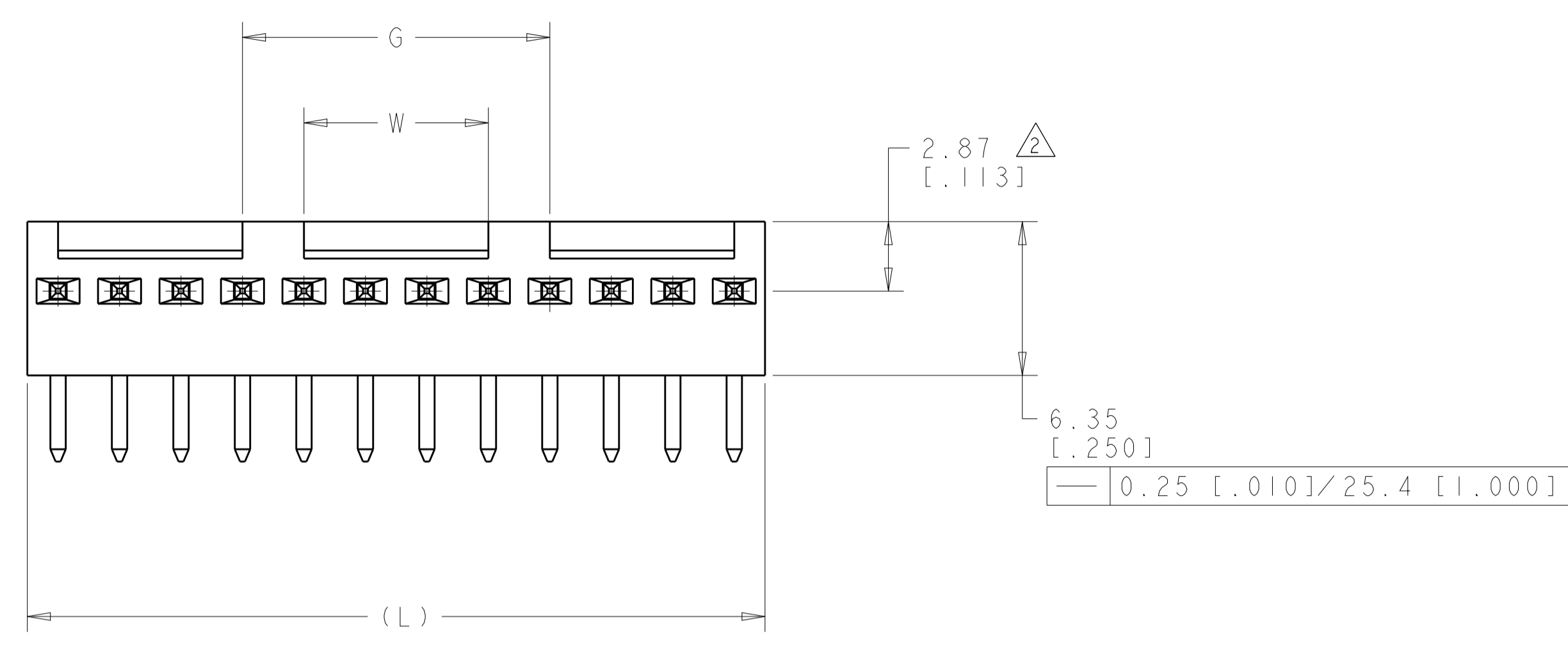
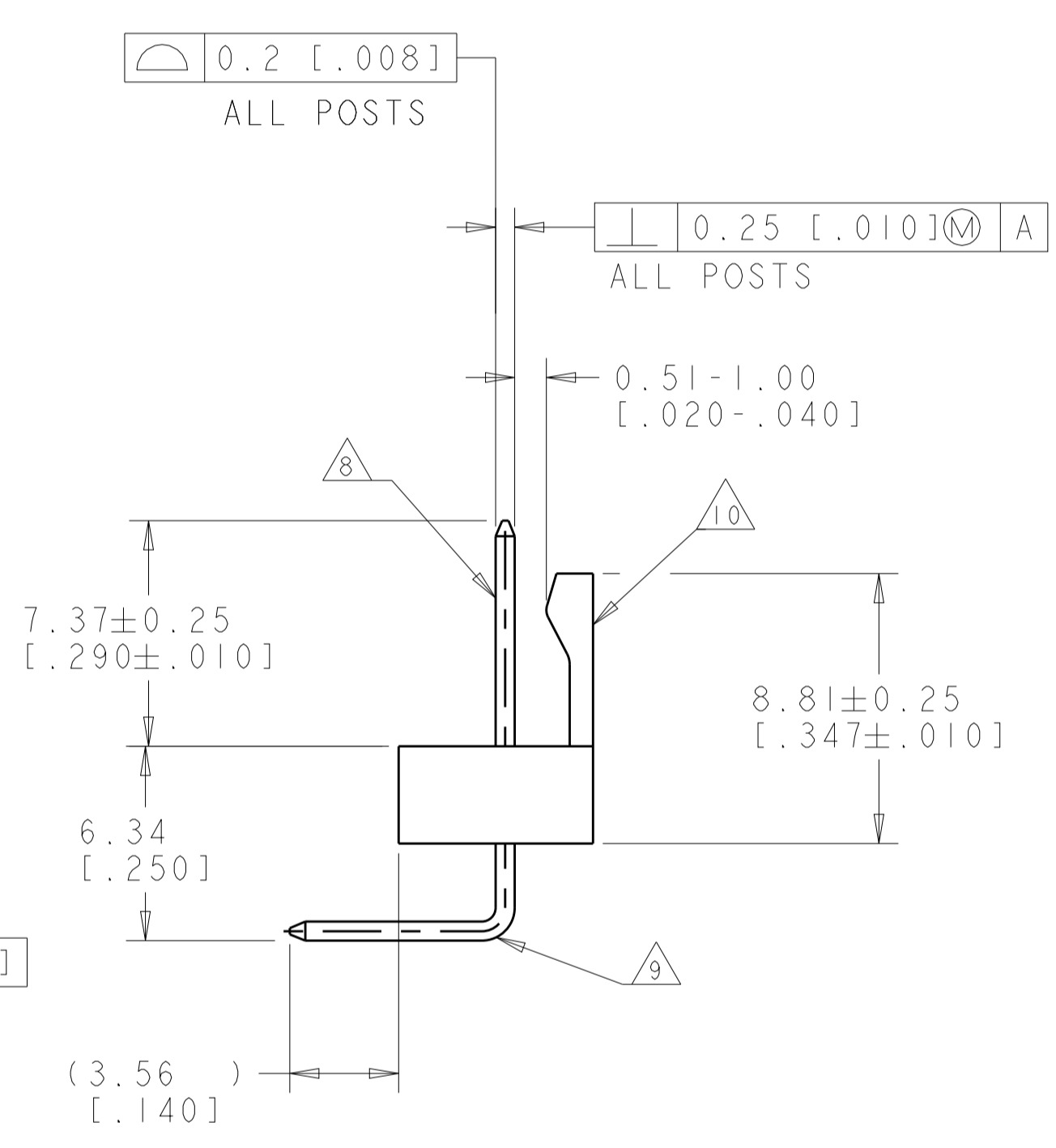
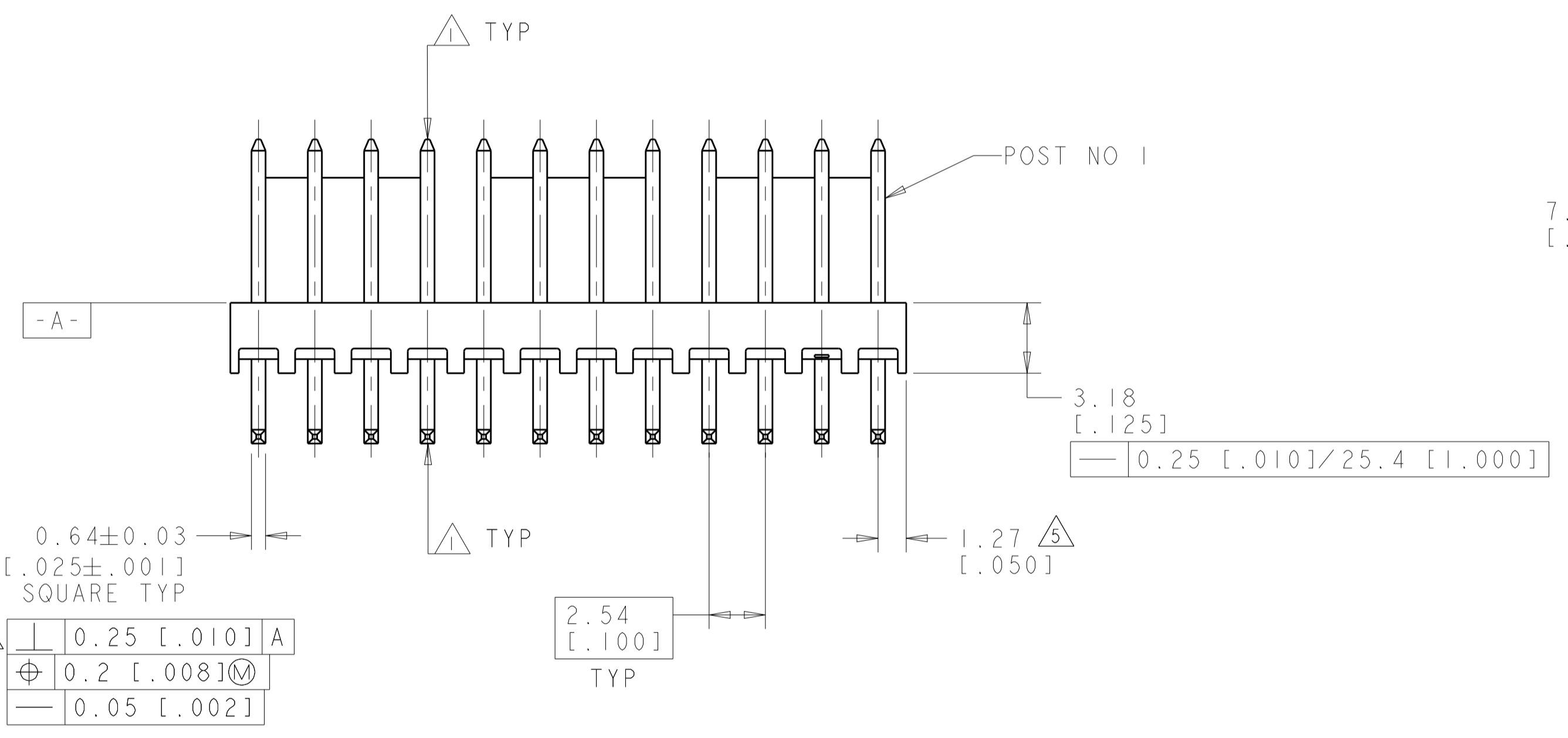


LOC		DIST		REVISIONS			
P	LTN	DESCRIPTION	DATE	DMN	APVD		
D		REVISED PER ECO-13-008064	13MAY2013	DZ	YHM		

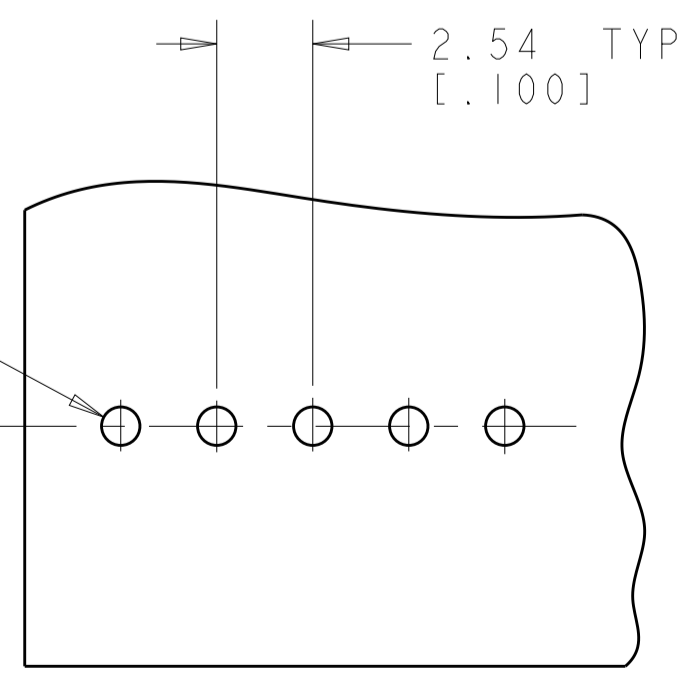


- △ POST WITHSTAND 13 NEWTONS (3 LBS) MIN AXIAL FORCE IN DIRECTION SHOWN WITHOUT DISLODGING.
- △ MEASURED AT -A-.
- 3. PARTS COMPLY WITH SOLDERABILITY SPEC 109-11-2/12.
- △ MATERIAL: HEADER - PBT, GLASS FILLED.
POST - COPPER ALLOY
PLATING: -2 THRU -12 (93/7) TIN-LEAD PLATED.
-32 THRU -42 MATTE 100% TIN PLATED
- △ COORDINATE DIMENSION APPLIES FROM CENTER OF ACTUAL FEATURE.
- △ POSTS TO BE MEASURED WHEN STRIP HELD FLAT.
- 7. DIMENSIONS IN BRACKETS ARE IN INCHES.
- △ TOLERANCES APPLY TO SOLDER SIDE OF BOARD.
- △ ONE HOLE MAY BE UNDERSIZED 0.81-0.90 [0.032-.035] DIAMETER FOR ASSEMBLY RETENTION DURING PROCESSING.
- △ AMP LOGO, UL, AND CSA TRADEMARKS TO APPEAR ON THIS SURFACE.

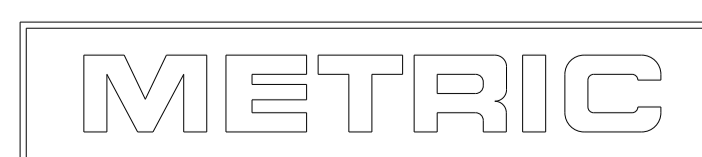


0.64±0.03 [0.025±.001] SQUARE TYP	△ 2 0.25 [0.010] A
	△ 6 ⊕ 0.2 [0.008] M
	— 0.05 [0.002]

2.54 [0.100] TYP



RECOMMENDED MOUNTING HOLE PATTERN △
 FOR 1.57±0.20 [0.062±0.008] THICK P.C. BOARD



7.62 [0.300]	12.70 [0.500]	30.48 [1.200]	12	4-647630-2
-	10.16 [0.400]	27.94 [1.100]	11	4-647630-1
-	7.62 [0.300]	25.40 [1.000]	10	4-647630-0
-	5.08 [0.200]	22.86 [0.900]	9	3-647630-9
-	2.54 [0.100]	20.32 [0.800]	8	3-647630-8
-	-	17.78 [0.700]	7	3-647630-7
-	-	15.24 [0.600]	6	3-647630-6
-	-	12.70 [0.500]	5	3-647630-5
-	-	10.16 [0.400]	4	3-647630-4
-	-	7.62 [0.300]	3	3-647630-3
-	-	5.08 [0.200]	2	3-647630-2
7.62 [0.300]	12.70 [0.500]	30.48 [1.200]	12	1-647630-2
-	10.16 [0.400]	27.94 [1.100]	11	1-647630-1
-	7.62 [0.300]	25.40 [1.000]	10	1-647630-0
-	5.08 [0.200]	22.86 [0.900]	9	647630-9
-	2.54 [0.100]	20.32 [0.800]	8	647630-8
-	-	17.78 [0.700]	7	647630-7
-	-	15.24 [0.600]	6	647630-6
-	-	12.70 [0.500]	5	647630-5
-	-	10.16 [0.400]	4	647630-4
-	-	7.62 [0.300]	3	647630-3
-	-	5.08 [0.200]	2	647630-2
W	G	L	NO OF POSN	PART NO

THIS DRAWING IS A CONTROLLED DOCUMENT. DMN H. WHITAKER 20-DEC-2002
 CHK D. BOSSI 20-DEC-2002
 APVD D. BOSSI 20-DEC-2002

STE TE Connectivity

DIMENSIONS: mm [INCHES] TOLERANCES UNLESS OTHERWISE SPECIFIED:
 0 PLC ±
 1 PLC ±0.131 [0.005]
 2 PLC ±
 3 PLC ±
 4 PLC ±
 ANGLES 40°/30°
 FINISH

MATERIAL: △
 FINISH: △

PRODUCT SPEC: MTA-100 HEADER ASSEMBLY, FRICTION LOCK, .025 SQUARE, RIGHT ANGLE, FRONT BEND POST, TIN PLATED
 APPLICATION SPEC: △
 WEIGHT: △
 CUSTOMER DRAWING: △

SIZE: A100779 C=647630
 SCALE: 5:1 SHEET 1 OF 1 REV D