

The Typical Applications, Figures 4 and 5, in the **LT[®]1160/LT1162** data sheet list an incorrect component part number. The following illustrations show the correct component part number in **bold**. For complete specifications, typical performance curves and applications information, please see the **LT1160/LT1162** data sheet.

 LTC and LT are registered trademarks of Linear Technology Corporation.

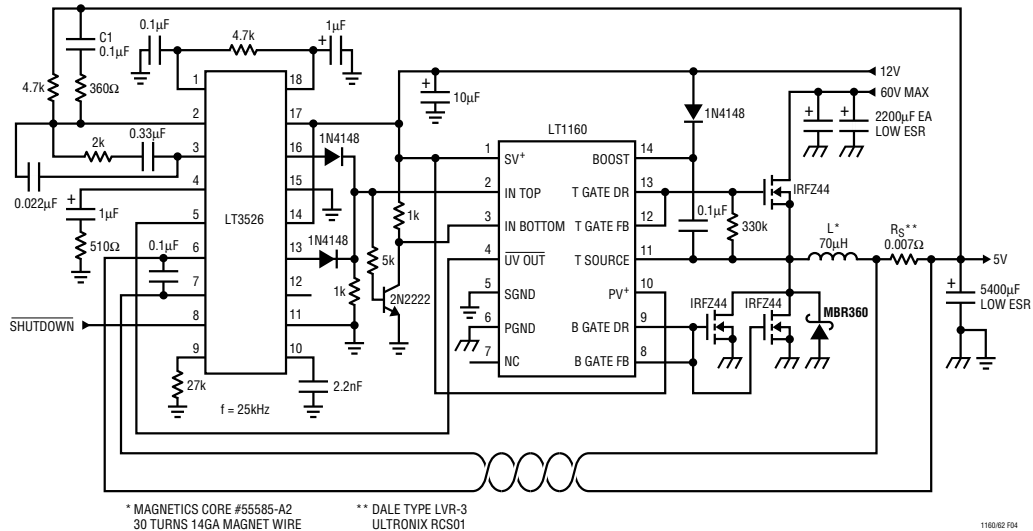


Figure 4. 90% Efficiency, 40V to 5V 10A Low Dropout Voltage Mode Switching Regulator

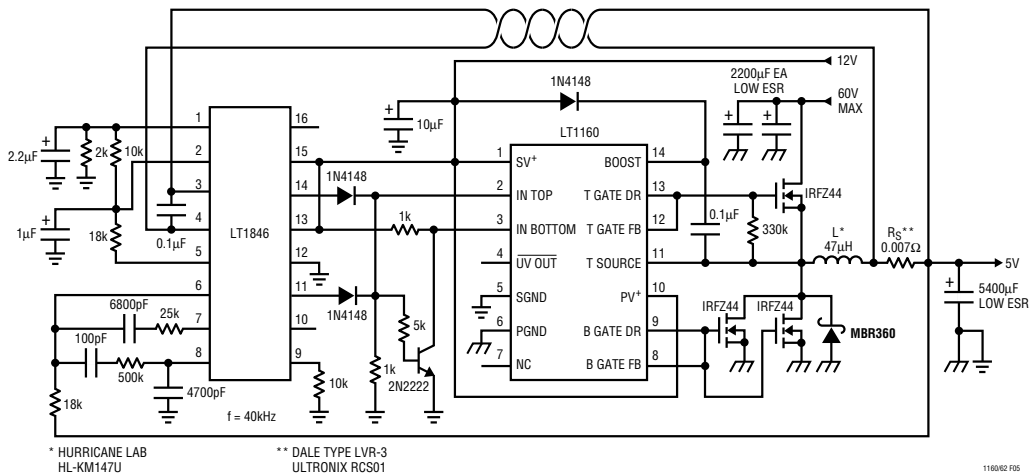


Figure 4. 90% Efficiency, 40V to 5V 10A Low Dropout Current Mode Switching Regulator

For further information regarding this specification notice contact:

Linear Technology Corporation
1630 McCarthy Blvd.
Milpitas, California 95035-7417
Attn: Product Marketing Manager
Phone: (408) 432-1900