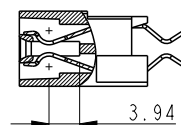
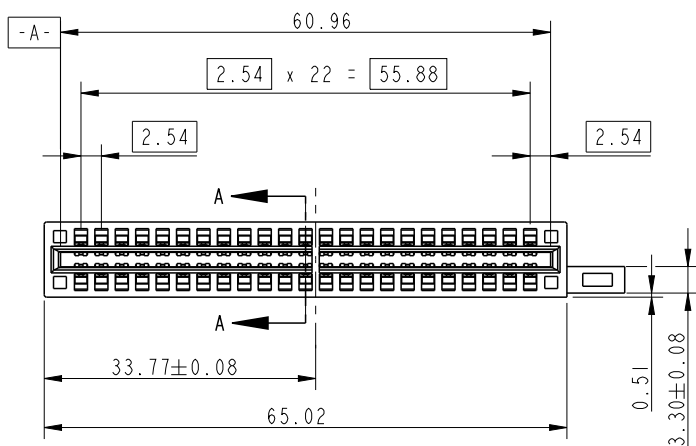
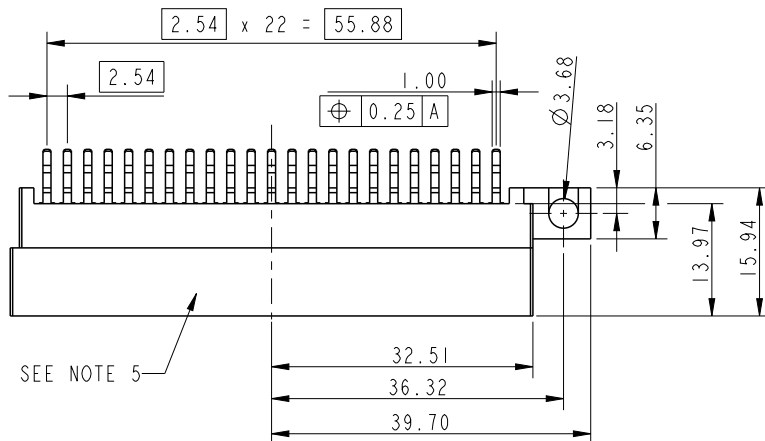


PRODUCT NUMBER

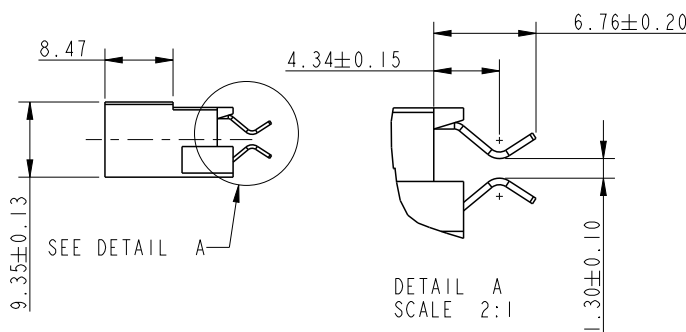
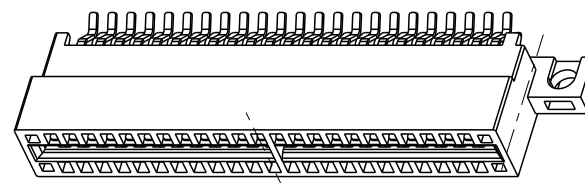
10034908-002LF

NOTE:

1. MATERIAL
HOUSING: HIGH TEMPERATURE THERMOPLASTIC
UL 94 V-0 FLAME RETARDANT, BLACK.
TERMINAL: HIGH CONDUCTIVITY COPPER ALLOY.
2. PRODUCT SPECIFICATION: GS-12-279.
3. PRODUCT PACKAGING SPEC: GS-14-937.
4. PART NUMBER 10034908-002LF MEETS EUROPEAN UNION DIRECTIVE AND OTHER COUNTRY REGULATIONS AS DESCRIBED IN GS-22-008.
THE HOUSING WILL WITHSTAND EXPOSURE TO 260°C PEAK TEMPERATURE FOR 10 SECONDS IN A REFLOW SOLDER APPLICATION WITH A CIRCUIT BOARD.
5. MANUFACTURER'S NAME, P/N AND DATE CODE TO APPEAR ON THIS SURFACE AS PER GS-24-007.



SECTION A-A

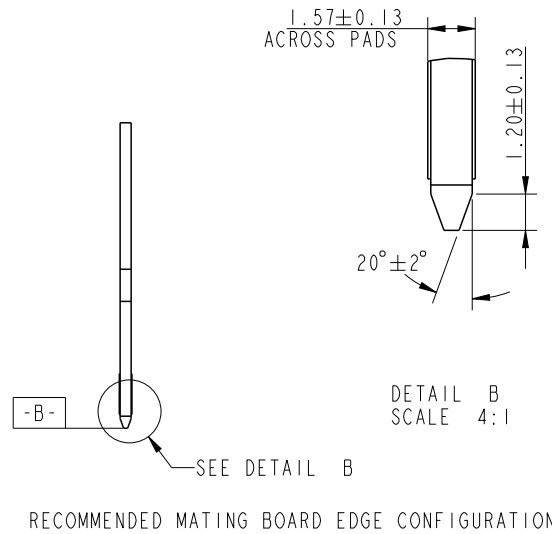
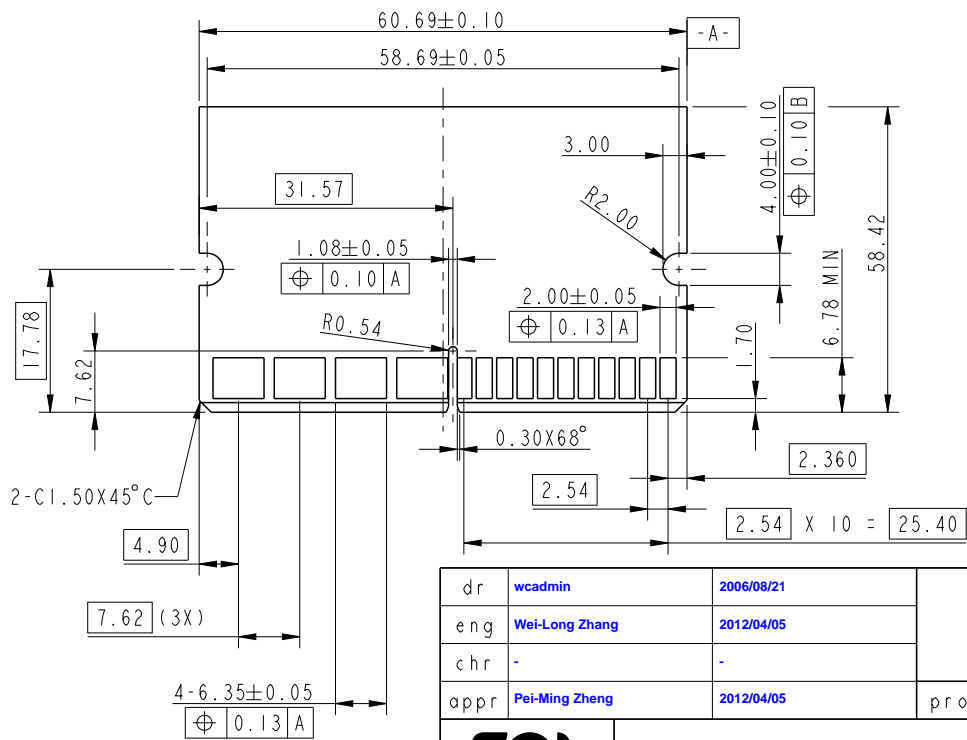
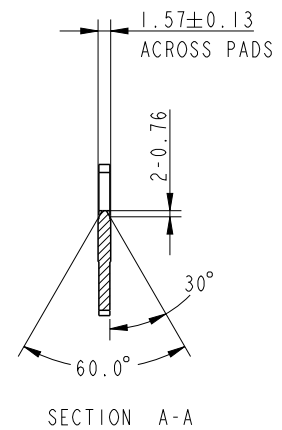
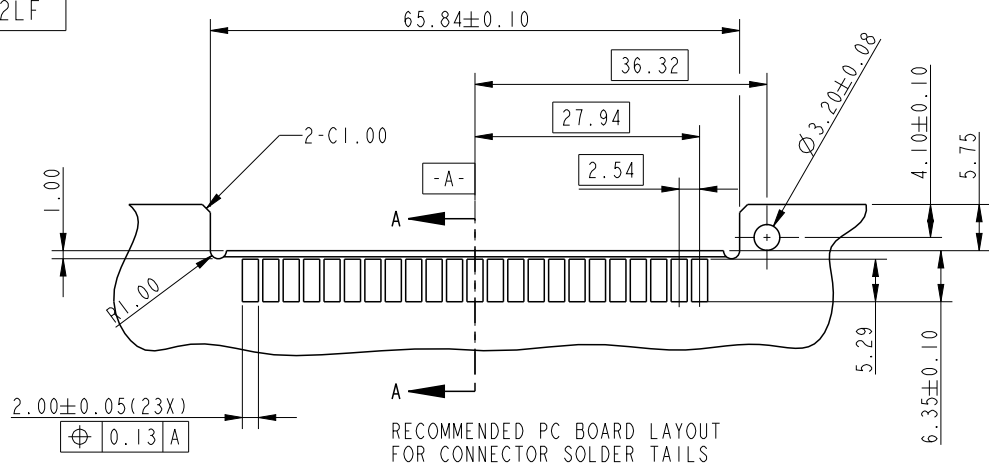


DETAIL A
SCALE: 2:1

rev	ecn no	dr	date
A	DG06-0012	SW	01/09/06
B	DG06-0306	RYAN	08/21/06
C	DG06-0485	RYAN	11/21/06
D	DG06-0524	JULIA	12/26/06
E	DG07-0515	JULIA	12/28/07
F	DG08-0002	JULIA	01/02/08
G	ELX-DG-011215-1	HZ	2012-04-05

spec ref	*	dr	wcadmin	2006/08/21	projection	mm	size	A4	scale	17:16
tolerance std	TOLERANCES UNLESS OTHERWISE SPECIFIED	eng	Wei-Long Zhang	2012/04/05			ecn no	ELX-DG-011215-1		
surface	linear 0.X ±0.8 0.XX ±0.25 0.XXX ±0.13 angular 0° ±2°	chr	-	-				product family	rel level	Released
		appr	Pei-Ming Zheng	2012/04/05		title STRADDLE MOUNT TYPE POWER EDGE CARD	dwg no 10034908-002	rev G	www.fci.com	
		cat. no.	Product - Customer Drw			sheet 1 of 2				

PRODUCT NUMBER
10034908-002LF



dr	wcadmin	2006/08/21	projection 	mm ←→	size	A4	scale	17:16
eng	Wei-Long Zhang	2012/04/05			ecn no	ELX-DG-011215-1		
chr	-	-			rel level	Released		
appr	Pei-Ming Zheng	2012/04/05	product family		rev		G	
www.fci.com		cat. no.	Product - Customer Drw		sheet 2 of 2			



Copyright FCI.