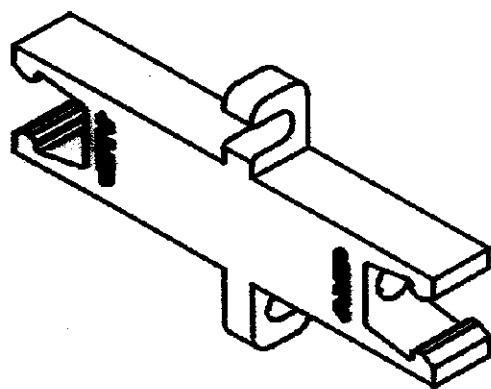
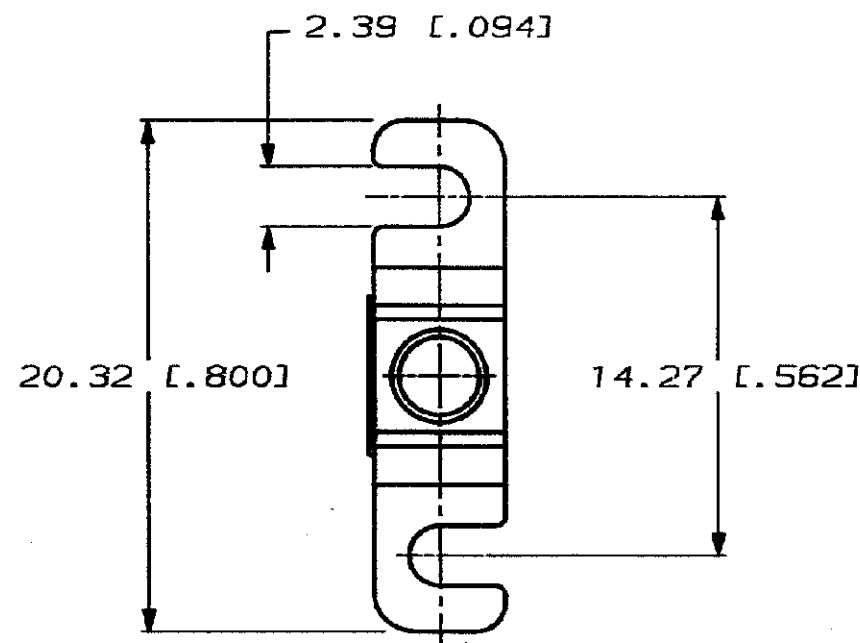
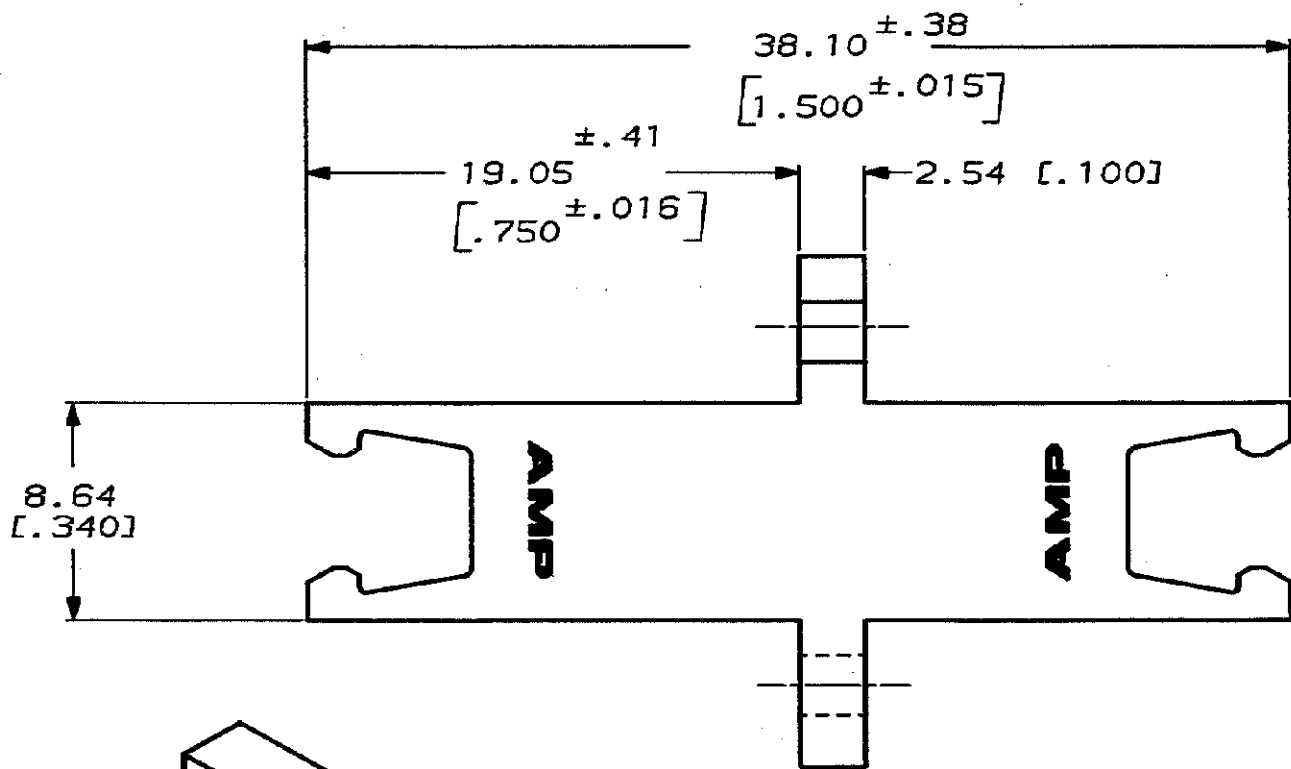


DRAWING MADE IN THIRD ANGLE PROJECTION

THIS DRAWING IS UNPUBLISHED. RELEASED FOR PUBLICATION, 1986  
 © COPYRIGHT 1986 BY AMP INCORPORATED, HARRISBURG, PA. ALL INTERNATIONAL RIGHTS RESERVED. AMP PRODUCTS MAY BE COVERED BY U.S. AND FOREIGN PATENTS AND/OR PATENTS PENDING.

| LOC | DIST | P | F | ZONE | LTR | DESCRIPTION          | DATE    | APPROVED          |
|-----|------|---|---|------|-----|----------------------|---------|-------------------|
| CE  | 16   |   |   |      | D   | REDRAW W/ CHG CE-660 | 9/15/86 | [Signature] / aEP |

228042-1 1. DIMENSIONS IN [ ] ARE IN INCHES  
 2. PRODUCT INTERMATEABLE WITH DNP CONNECTORS PER IS 2974



METRIC

|  |  |                                   |  |  |  |
|--|--|-----------------------------------|--|--|--|
| UNLESS OTHERWISE SPECIFIED DIMENSIONS ARE IN MM TOLERANCES ON: |  | DR [Signature] 9/15/86            |  | PART NO  |  |
| 2 PL DEC ± .25 [.010]  |  | APPD [Signature] 9-15-86          |  | AMP INCORPORATED<br>Harrisburg, Pa. 17105            |  |
| 3 PL DEC ± -   |  | APPD aEP 9-15-86                  |  | NAME<br>SGL POSITION BULKHEAD RCPT,<br>DNP, OPTIMATE |  |
| ANGLES ± -   |  | APPD [Signature] 9-15-86          |  | SIZE<br>B  |  |
| MATERIAL<br>THERMOPLASTIC<br>COLOR: BLACK                      |  | PRODUCT SPEC<br>108-45104         |  | FSCM NO<br>00779                                     |  |
| FINISH<br>-  |  | APPLICATION SPEC<br>IS SHEET 2974 |  | DRAWING NO<br>228042                                 |  |
|  |  | WEIGHT<br>1.7 G                   |  | SCALE<br>4:1   |  |
|  |  |                                   |  | SHEET<br>1 OF 1                                      |  |