

4

3

2

1

THIS DRAWING IS UNPUBLISHED.

RELEASED FOR PUBLICATION

--

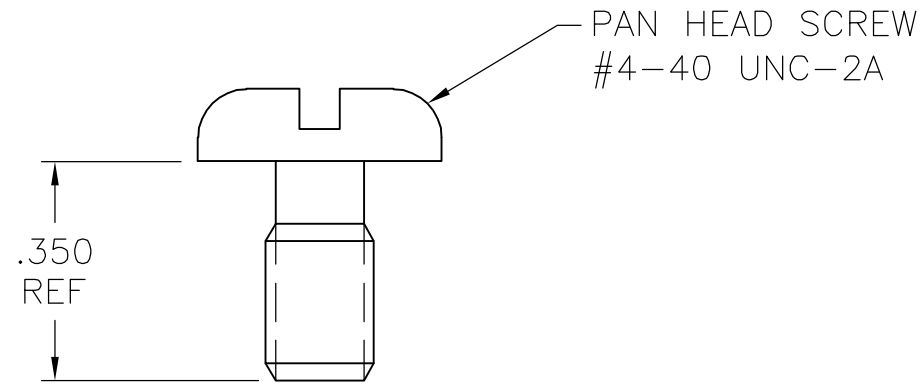
© COPYRIGHT BY TYCO ELECTRONICS CORPORATION.

ALL RIGHTS RESERVED.

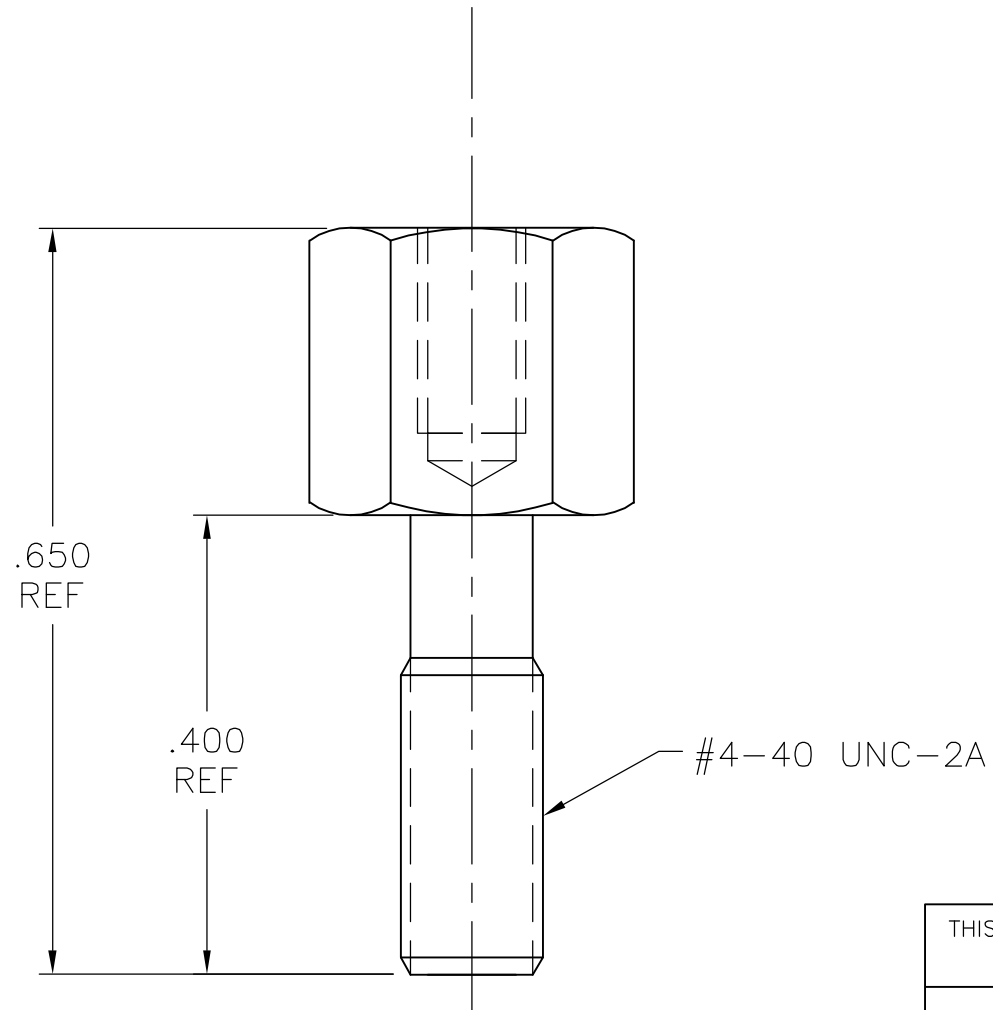
LOC GP DIST 00

REVISIONS

P	LTR	DESCRIPTION	DATE	DWN	APVD
	0	RELEASED PER EC OS13-0288-05	03OCT05	BM	WM



1 MATERIAL:  
 PAN HEAD SCREW: ZINC PLATED STEEL.  
 MOUNTING SCREW: ZINC PLATE WITH YELLOW TRIVALENT CHROMATE OVER STEEL.



5552631-1  
 PART  
 NUMBER

THIS DRAWING IS A CONTROLLED DOCUMENT.		DWN B. MCMASTER 03OCT05	Tyco Electronics Corporation Harrisburg, PA 17105-3608	
DIMENSIONS: INCHES		CHK W. MILLHIMES 03OCT05		
		APVD W. MILLHIMES 03OCT05	NAME	
TOLERANCES UNLESS OTHERWISE SPECIFIED:		PRODUCT SPEC	HARDWARE KIT, BACK PANEL MOUNT, SCREW LOCK, CHAMP	
0 PLC ± - 1 PLC ± - 2 PLC ± - 3 PLC ± - 4 PLC ± - ANGLES ± -		APPLICATION SPEC	SIZE CAGE CODE DRAWING NO RESTRICTED TO	
MATERIAL 1		WEIGHT -	A3 00779 C-5552631	
FINISH 1		CUSTOMER DRAWING		SCALE 4:1 SHEET 1 of 1 REV 0