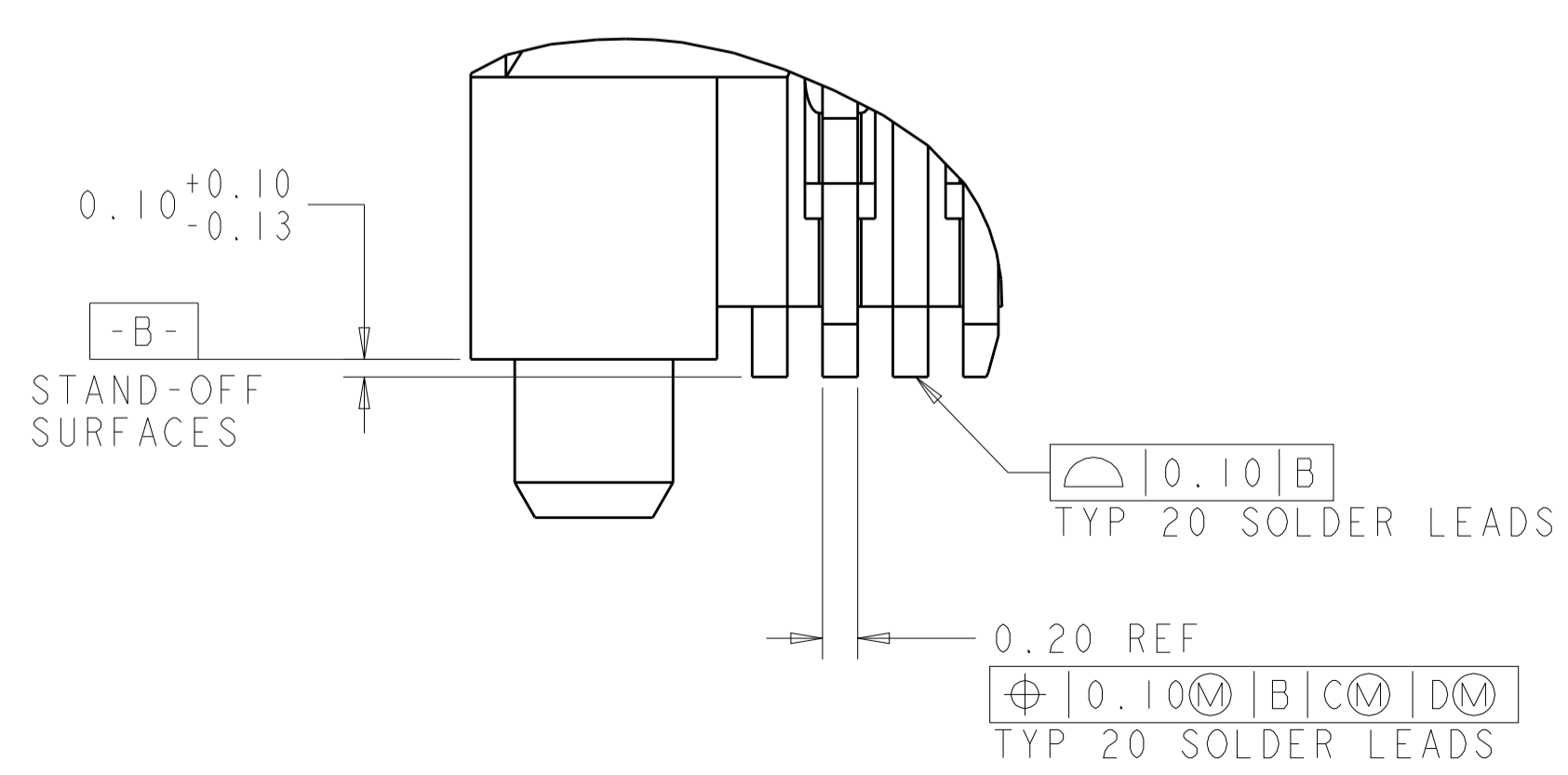
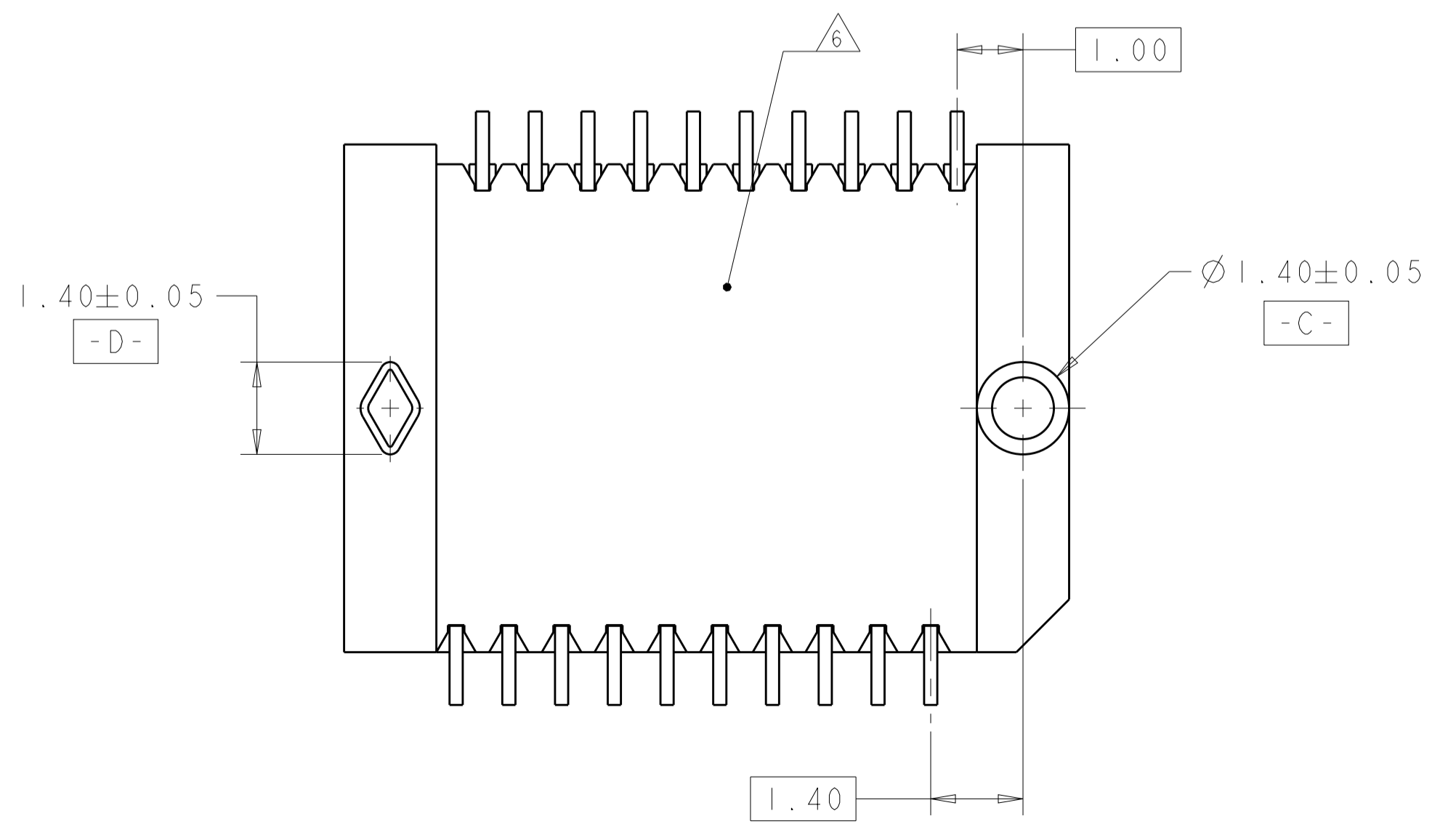
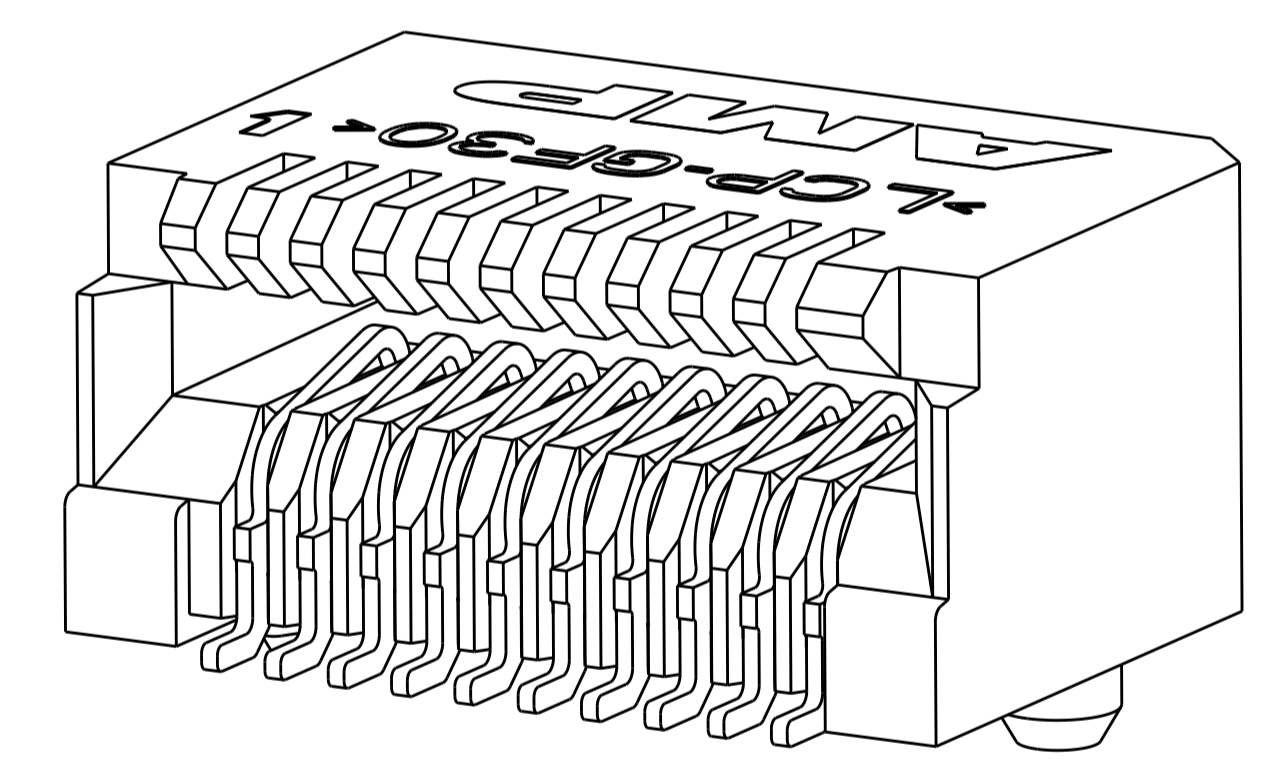
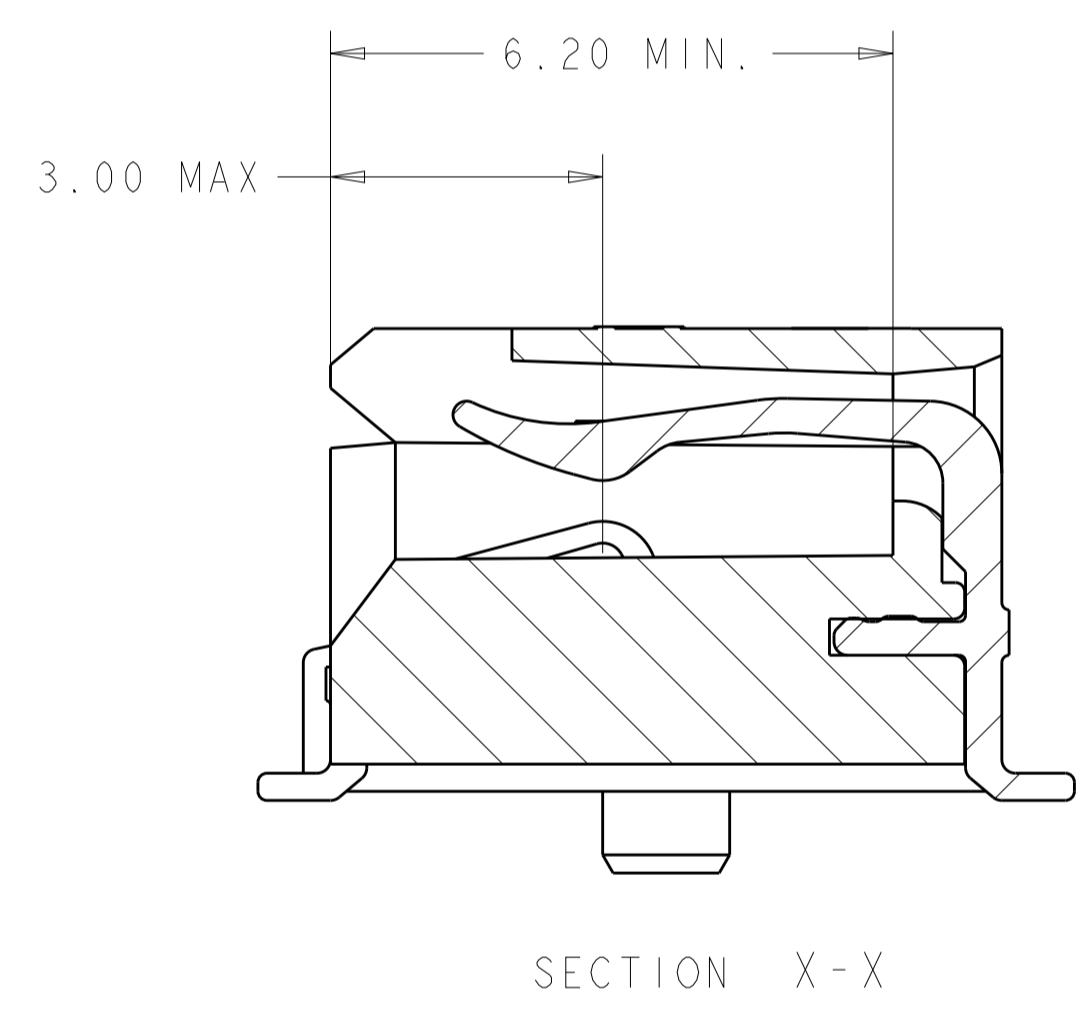
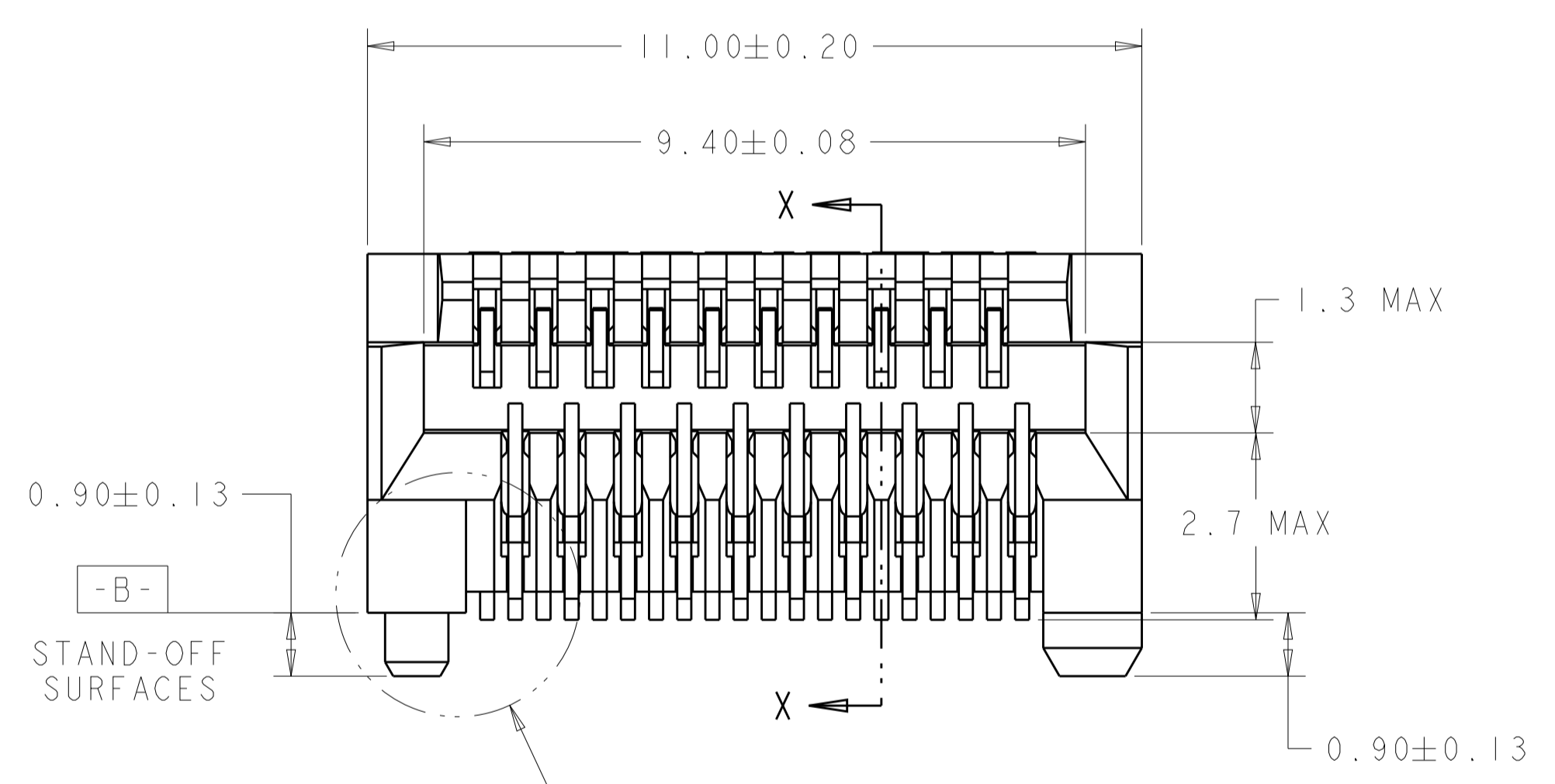
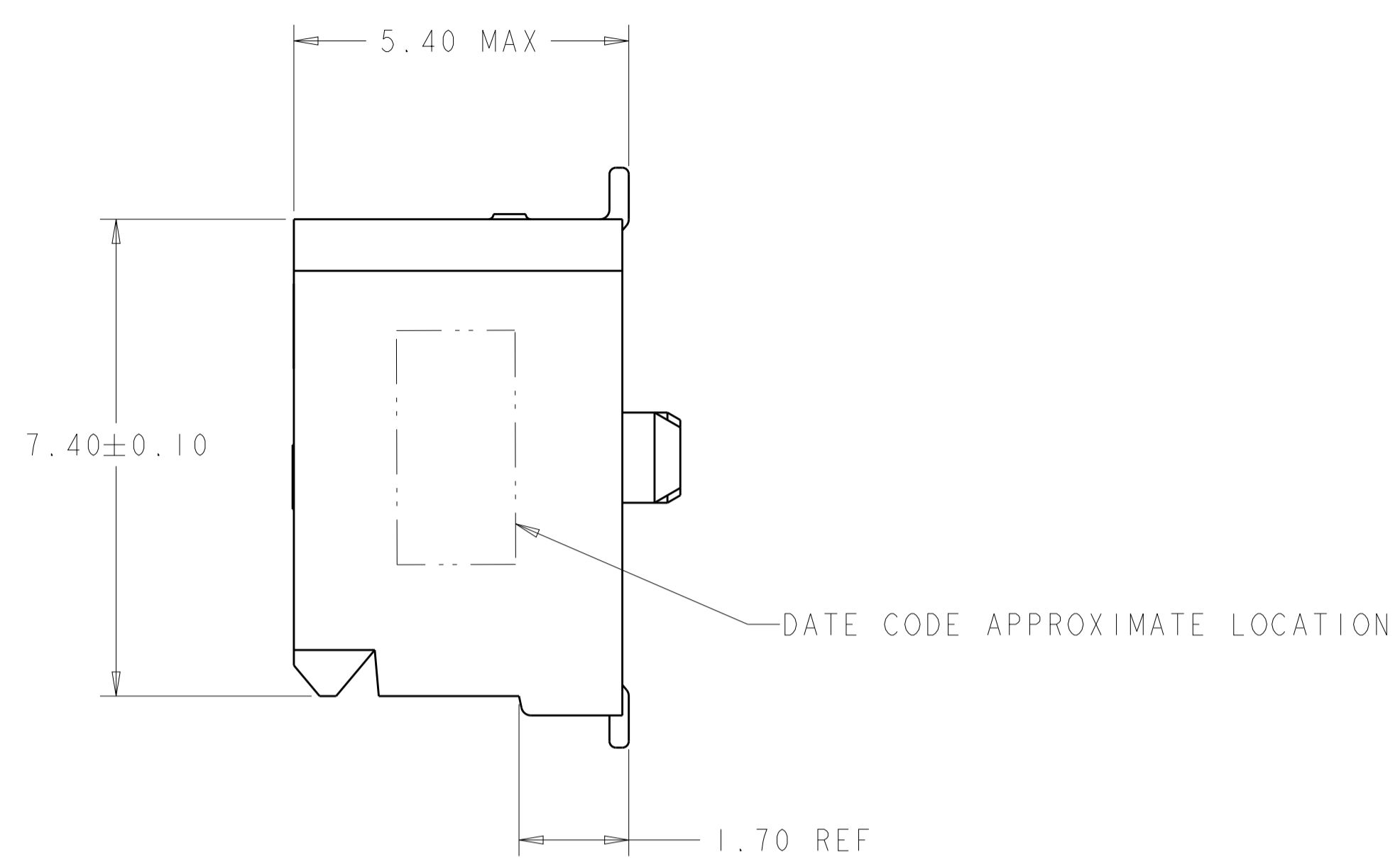
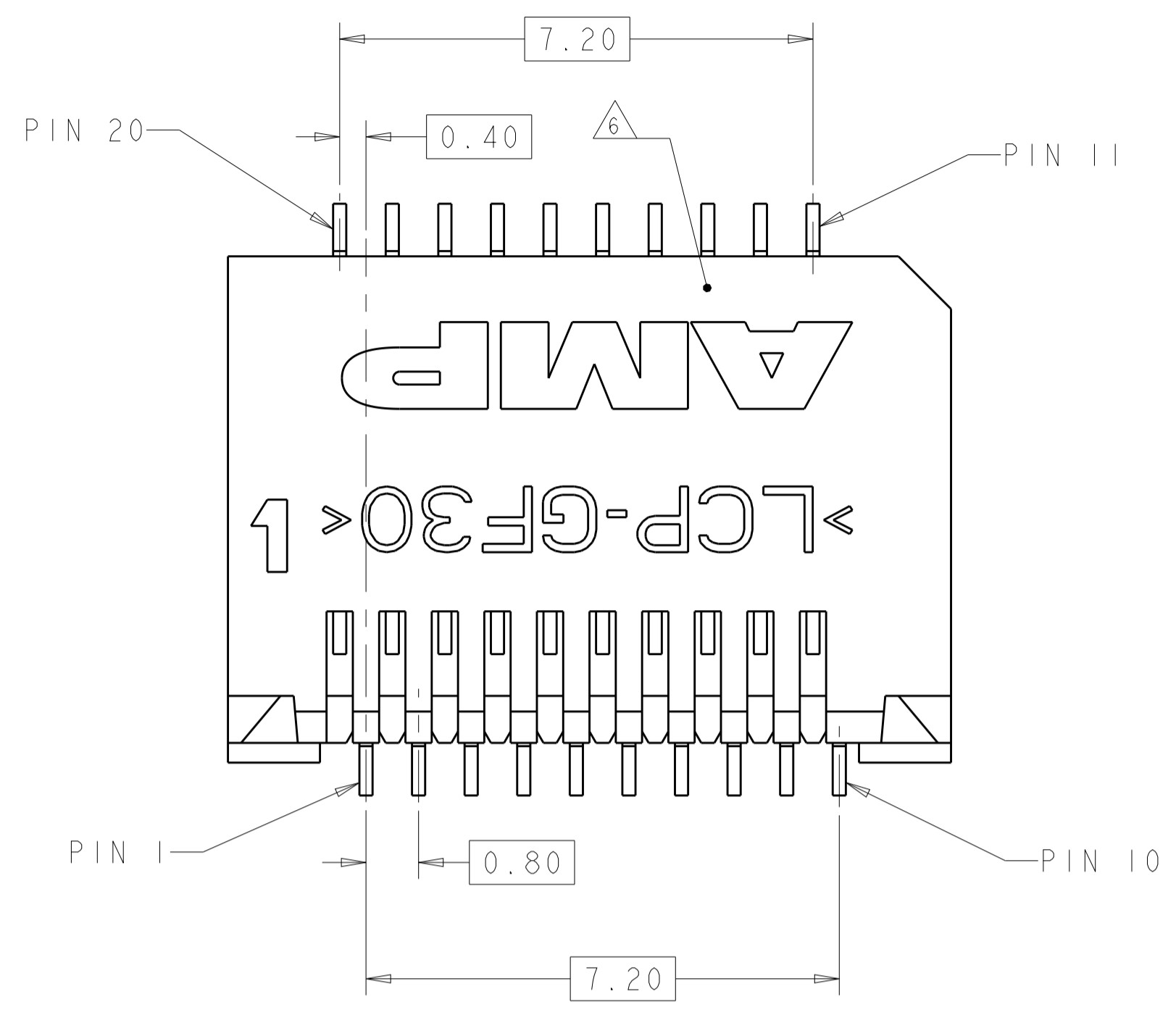


LOC	DIST	REVISIONS			
P	LTN	DESCRIPTION	DATE	DWN	APVD
ES	00	K	REVISED PER ECO-12-015815	07NOV2012	TX AC



DETAIL H
 SCALE 25:1

- 1 MATERIAL:
 HOUSING: HIGH TEMPERATURE LCP, UL 94V-0 RATED, BLACK
 CONTACTS: PHOSPHOR BRONZE.
- 2 FINISH:
 CONTACTS: 0.00076 MIN GOLD ON CONTACT AREA, 0.00013
 MIN GOLD ON SOLDER AREA. ALL OVER 0.0038 MIN NICKEL
 UNDERPLATE ON ENTIRE CONTACT. LUBRICANT ON GOLD PLATE
 CONTACT AREAS.
- 3. PACKAGED 480 PIECES PER REEL.
- 4 DATUMS AND BASIC DIMENSIONS TO BE ESTABLISHED BY
 CUSTOMER; SEE DRAWING 1367034 FOR LAYOUT WHEN USED
 WITH 1367034-1 BOTTOM CAGE (STANDARD SFP APPLICATION).
- 5 FINISH:
 CONTACTS: 0.00038 MIN GOLD ON CONTACT AREA, 0.00013
 MIN GOLD ON SOLDER AREA. ALL OVER 0.0038 MIN NICKEL
 UNDERPLATE ON ENTIRE CONTACT. LUBRICANT ON GOLD PLATE
 CONTACT AREAS.
- 6 PULL GROOVES PERMITTED ON THESE SURFACES AT MOLDING
 ENGINEERING DISCRETION

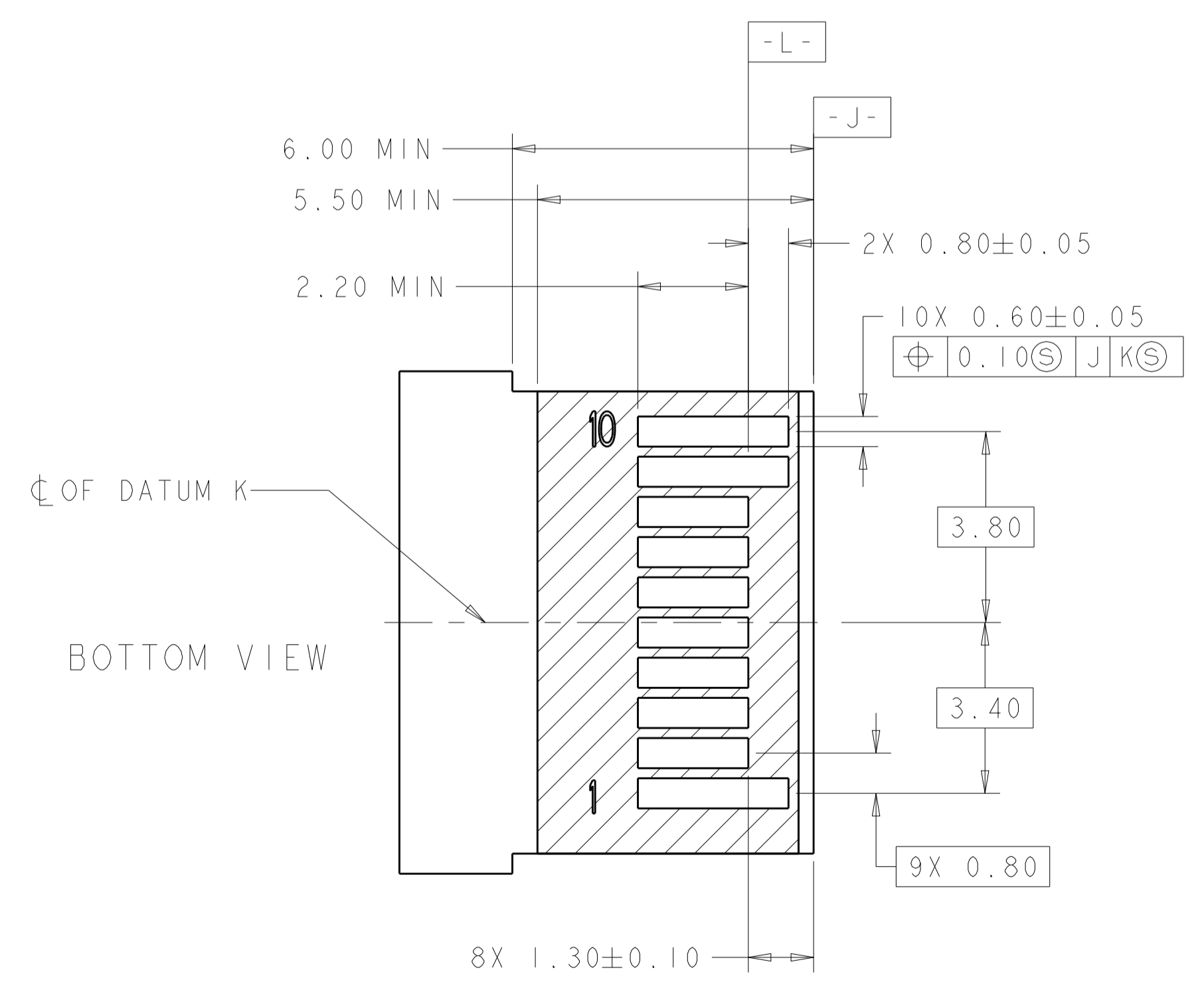
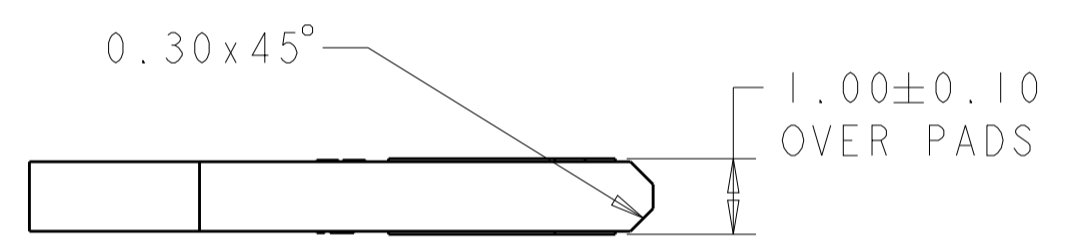
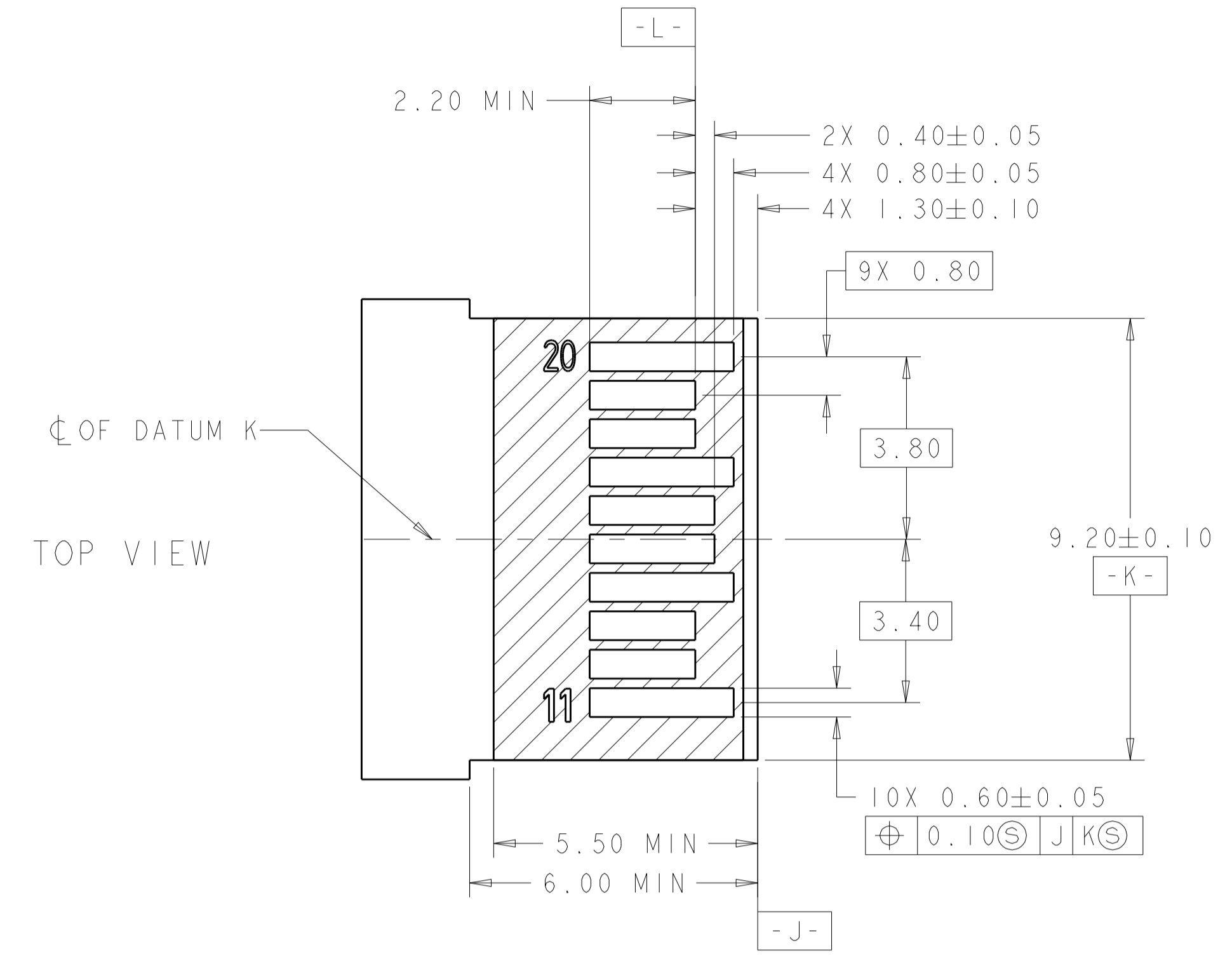
YES	△	1888247-4
YES	△	1888247-3
NO	△	1888247-2
NO	△	1888247-1
DATE CODE	FINISH	PART NUMBER

DIMENSIONS:		TOLERANCES UNLESS OTHERWISE SPECIFIED:		MATERIAL:	
mm	0 PLC ±	1 PLC ±	2 PLC ±0.10	3 PLC ±	4 PLC ±
	ANGLES ±	FINISH			

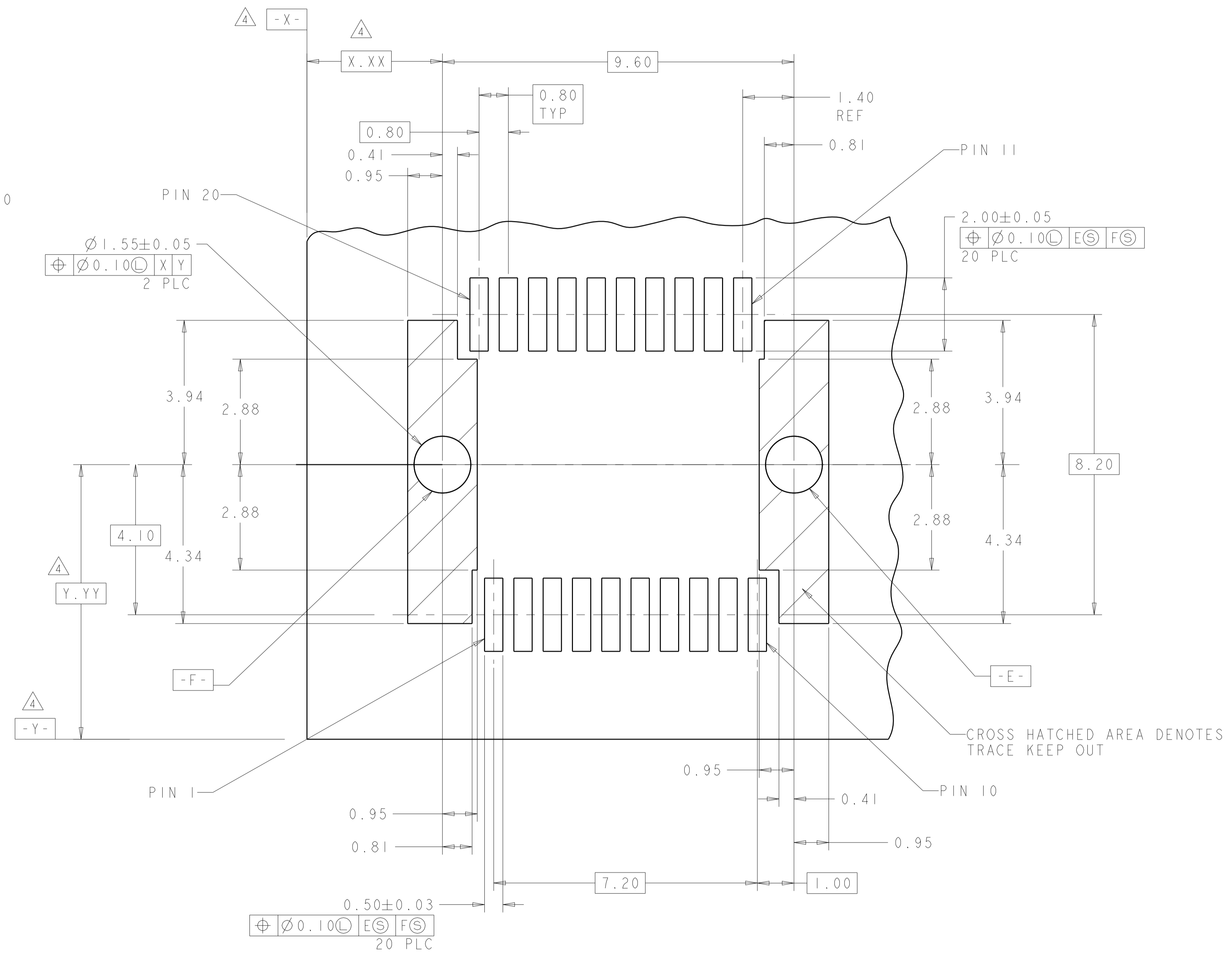
OWN	B. MCMASTER	14FEB06
CHK	S. SHUEY	14FEB06
APVD	S. SHUEY	14FEB06
PRODUCT SPEC	108-1949	
APPLICATION SPEC	114-13017	
WEIGHT		
Customer Drawing		

NAME	PT CONNECTOR ASSEMBLY, 20 POS, RIGHT ANGLE, 0.8mm PITCH, SFP+
SIZE	CAGE CODE DRAWING NO
RESTRICTED TO	
A1	00779C=1888247
SCALE	8:1
SHEET	1 OF 3
REV	K

LOC		DIST		REVISIONS				
ES	00	P	LTN	DESCRIPTION	DATE	DMN	APVD	
				SEE SHEET 1				



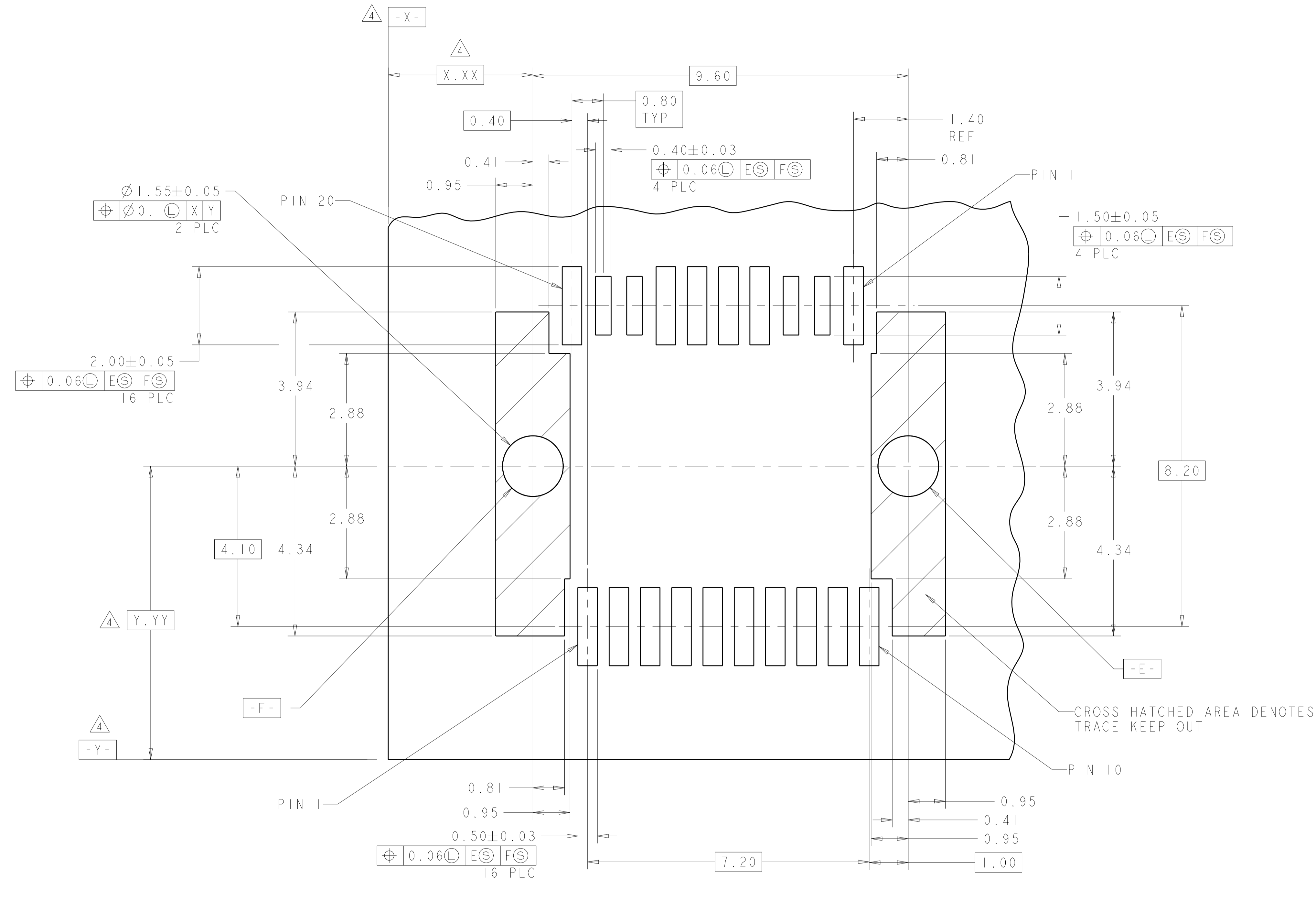
RECOMMENDED LAYOUT DETAIL
MATING TRANSCEIVER PCB
SCALE 10:1



RECOMMENDED PCB LAYOUT DETAIL
CONNECTOR MOUNTING SIDE
SCALE 14:1

THIS DRAWING IS A CONTROLLED DOCUMENT.		DMN	B. MCMASTER	14FEB06		TE Connectivity
DIMENSIONS:		CHK	S. SHUEY	14FEB06		
mm	TOLERANCES UNLESS OTHERWISE SPECIFIED:	APVD	S. SHUEY	14FEB06	NAME	
0 PLC	±	PRODUCT SPEC		PT CONNECTOR ASSEMBLY, 20 POS, RIGHT ANGLE, 0.8mm PITCH, SFP+		
1 PLC	±0.10	APPLICATION SPEC		108-1949		
2 PLC	±	SIZE		114-13017		
3 PLC	±	WEIGHT		A100779C=1888247		
4 PLC	±	MATERIAL		Customer Drawing		
ANGLES	±	FINISH		SCALE 8:1 SHEET 2 OF 3 REV K		

LOC		DIST		REVISIONS				
ES	00	P	LTH	DESCRIPTION	DATE	DWN	APVD	
-	-	-	-	SEE SHEET 1	-	-	-	



OPTIONAL LAYOUT FOR IMPROVED SIGNAL INTEGRITY, MOUNTING SIDE
 SCALE 16:1

THIS DRAWING IS A CONTROLLED DOCUMENT.		DWN B. MCMASTER 14FEB06	TE Connectivity
DIMENSIONS: mm		CHK S. SHUEY 14FEB06	
		APVD S. SHUEY 14FEB06	
TOLERANCES UNLESS OTHERWISE SPECIFIED:		NAME	PT CONNECTOR ASSEMBLY, 20 POS, RIGHT ANGLE, 0.8mm PITCH, SFP+
0 PLC ±		PRODUCT SPEC	108-1949
1 PLC ±0.10		APPLICATION SPEC	114-13017
2 PLC ±		SIZE	A100779C=1888247
3 PLC ±		WEIGHT	-
4 PLC ±		Customer Drawing	SCALE 8:1 SHEET 3 OF 3 REV K
ANGLES ±			
FINISH			