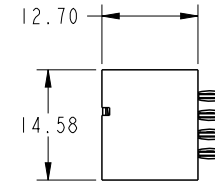
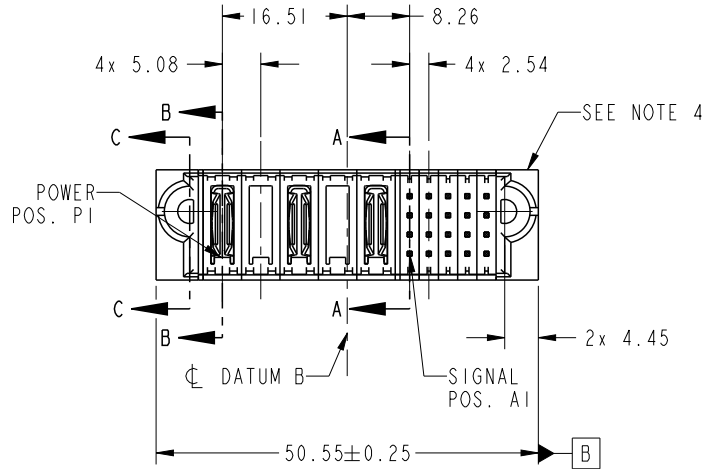


PRODUCT NO.	ROWS	POWER					SIGNAL									
		E1	P1	P2	P3	P4	P5	1	2	3	4	5	E2			
51952-282-- NOTE ③	D C B A															



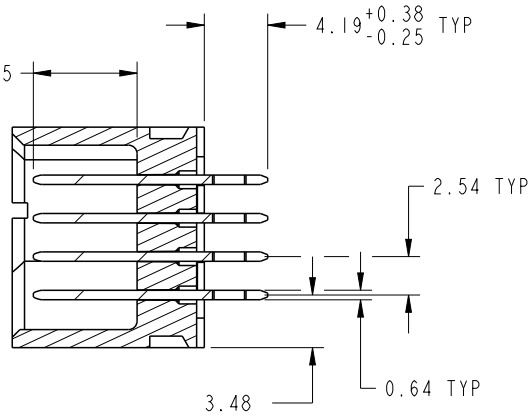
CODE	DIM "M" MATING LENGTH	CONTACT TYPE
PC	[N/A]	POWER
G	[6.86]	SIGNAL
K	[5.59]	SIGNAL
X	OMITTED	

spec ref	See Notes		dr	De-Ming Lu	2014/07/06	projection 	MM 	size	A4	scale	1:1		
tolerance std	TOLERANCES UNLESS OTHERWISE SPECIFIED		eng	De-Ming Lu	2014/07/16			ecn no	-				
See Notes			chr	-	-			rel level	Released				
surface	✓	linear	0.X	±0.50		product family	PwrBlade		rev	A			
		0.XX	±0.25	title			5DCP + 20S				dwg no	51952-282	
		0.XXX	±0.10				VERTICAL PF HEADER						
	angular	0°	±2°	www.fci.com	cat. no.	&model_name	Product - Customer Drw		sheet 1 of 4				

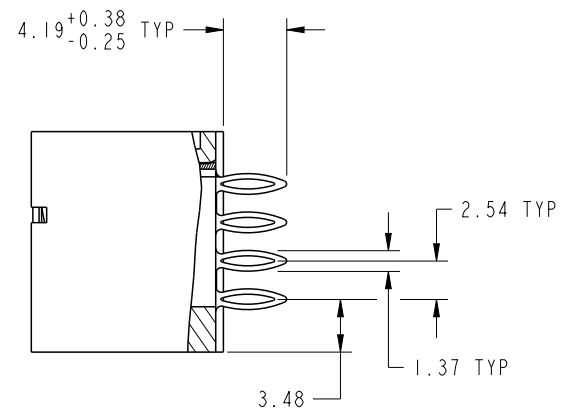
PRODUCT NUMBER

51952-282--
NOTE 3

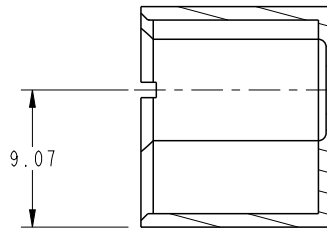
DIM "M" ±0.25



SECTION A-A
SCALE 2:1



SECTION B-B
SCALE 2:1



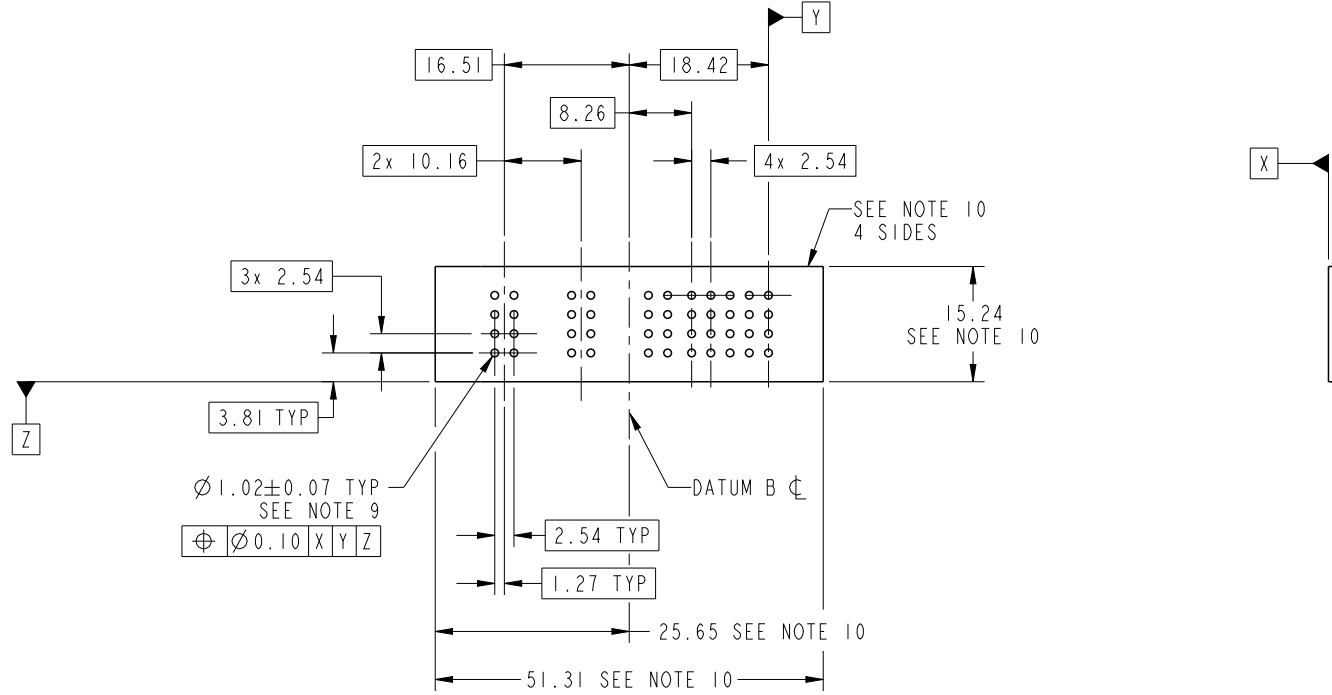
SECTION C-C
SCALE 2:1

dr	De-Ming Lu	2014/07/06	projection 	MM ←→	size	A4	scale	1:1
eng	De-Ming Lu	2014/07/16			ecn no	-		
chr	-	-			product family	PwrBlade	rel level	Released
appr	Pei-Ming Zheng	2014/07/16			title 5DCP + 20S VERTICAL PF HEADER	dwg no 51952-282	rev A	
www.fci.com		cat. no.	&model_name	Product - Customer Drw		sheet 2 of 4		



Copyright FCI.

PRODUCT NUMBER
51952-282--
NOTE 3



RECOMMENDED PCB LAYOUT

dr	De-Ming Lu	2014/07/06	projection 	MM 	size	A4	scale	1:1
eng	De-Ming Lu	2014/07/16			ecn no	-		
chr	-	-			rel level	Released		
appr	Pei-Ming Zheng	2014/07/16	product family	PwrBlade				
	title	5DCP + 20S VERTICAL PF HEADER		dwg no	51952-282		rev	A
www.fci.com	cat. no.	&model_name	Product - Customer Drw		sheet 3 of 4			

PRODUCT NUMBER

51952-282__
NOTE 3

NOTES:

1. DIMENSIONS AND TOLERANCES ARE IN ACCORDANCE WITH ASME Y14.5M, 1994 UNLESS OTHERWISE SPECIFIED.

CONNECTOR NOTES:

- ② HOUSING MATERIAL: UL 94 V-0 GLASS FILLED HIGH-TEMP THERMOPLASTIC
POWER CONTACT MATERIAL: COPPER ALLOY
SIGNAL PIN MATERIAL: COPPER ALLOY
 - 3. SEE ITEM 3 & 4 IN PRINT 10064183 FOR PLATING SPEC OF 51952-282 AND 51952-282LF RESPECTIVELY.
 - ④ MANUFACTURER'S NAME, DATE CODE AND OPTIONAL P/N TO APPEAR ON THIS SURFACE. THE MARK CAN BE OMITTED IF THERE IS NOT ENOUGH SPACE ON THIS SURFACE.
 - 5. PRODUCT SPECIFICATION GS-12-149.
APPLICATION SPECIFICATION BUS-20-067.
 - 6. PACKAGED IN TRAYS.
- PCB NOTES:
- 7. ALL HOLE DIAMETERS ARE FINISHED HOLE SIZE.
 - 8. MOUNTING HOLES, WHERE APPLICABLE, ARE UNPLATED.

⑨ $\varnothing 1.151 \pm 0.025$ DRILLED HOLES PLATED WITH 0.008 MIN SnPb OR Sn OVER .001 [0.03] TO 0.08 Cu PLATING TO ACHIEVE $\varnothing 1.02 \pm 0.07$ HOLE.

⑩ CONNECTOR KEEP-OUT ZONE.

11. FOR PRESS FIT APPLICATION USE FCI CAM TOOL 430169-XXX.

dr	De-Ming Lu	2014/07/06	projection 	MM 	size	A4	scale	1:1
eng	De-Ming Lu	2014/07/16			ecn no	-		
chr	-	-						
appr	Pei-Ming Zheng	2014/07/16	product family	PwrBlade	rel level	Released		
	title	5DCP + 20S VERTICAL PF HEADER		dwg no	51952-282		rev	A
www.fci.com	cat. no.	&model_name	Product - Customer Drw		sheet 4 of 4			



Copyright FCI.