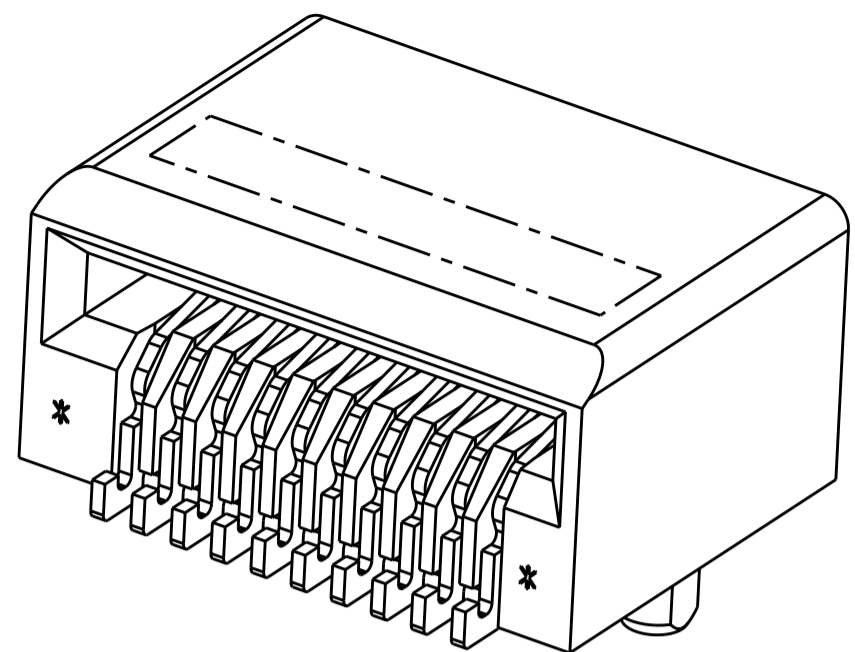
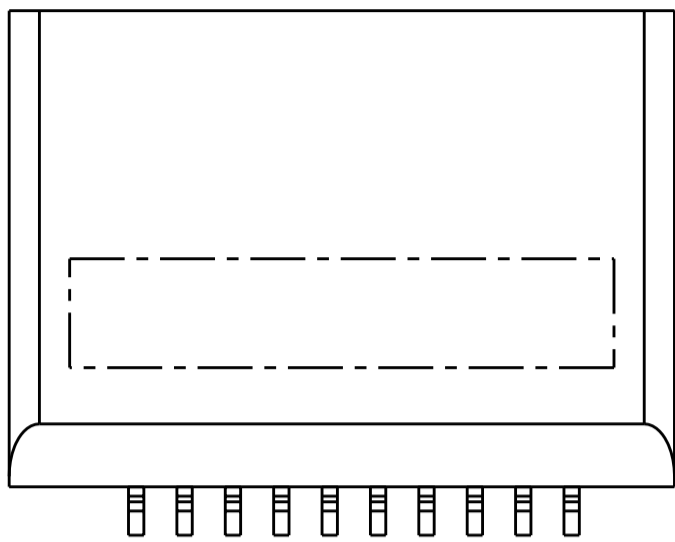


THIS DRAWING IS UNPUBLISHED. RELEASED FOR PUBLICATION 20  
 © COPYRIGHT 20 BY - ALL RIGHTS RESERVED.

LOC		DIST		REVISIONS			
P	LTR	DESCRIPTION	DATE	DWN	APVD		
1		PRELIMINARY RELEASE	31OCT2011	TX	CW		
2		REVISED THE DRAWING	22MAR2012	TX	AC		

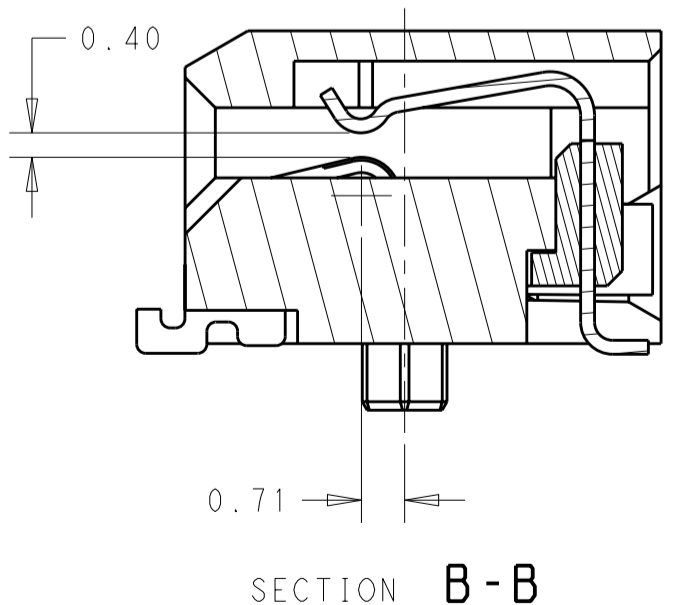
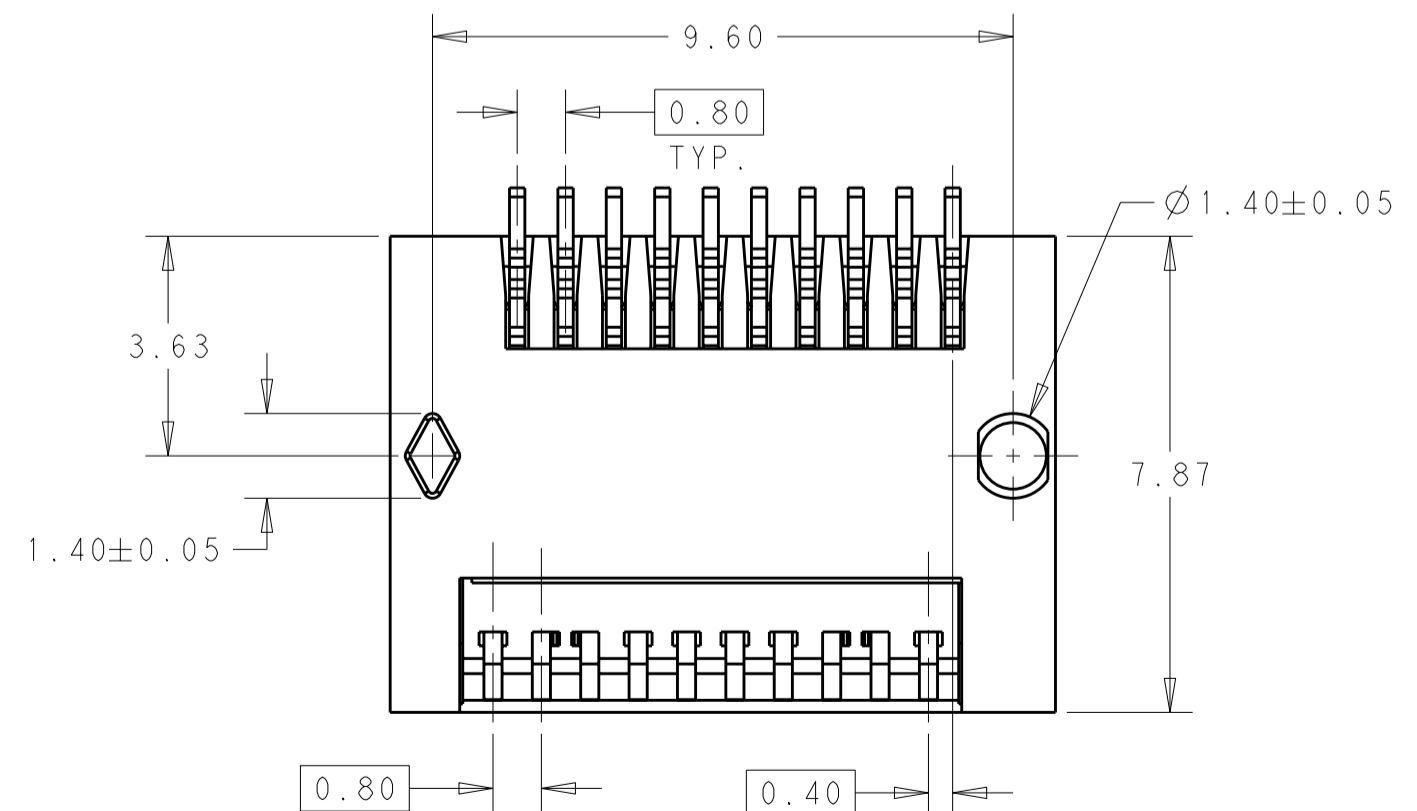
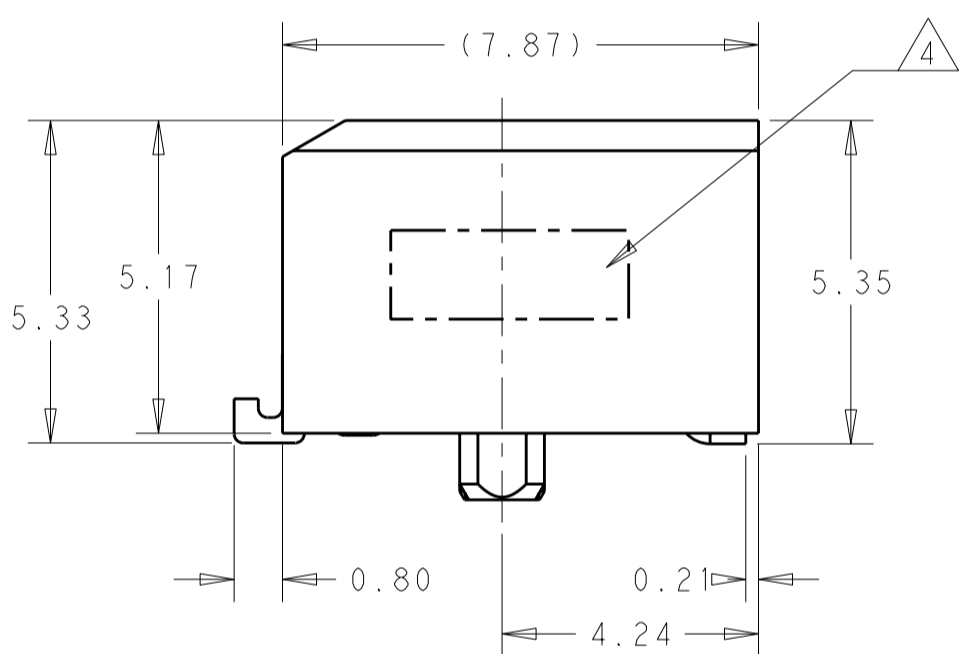
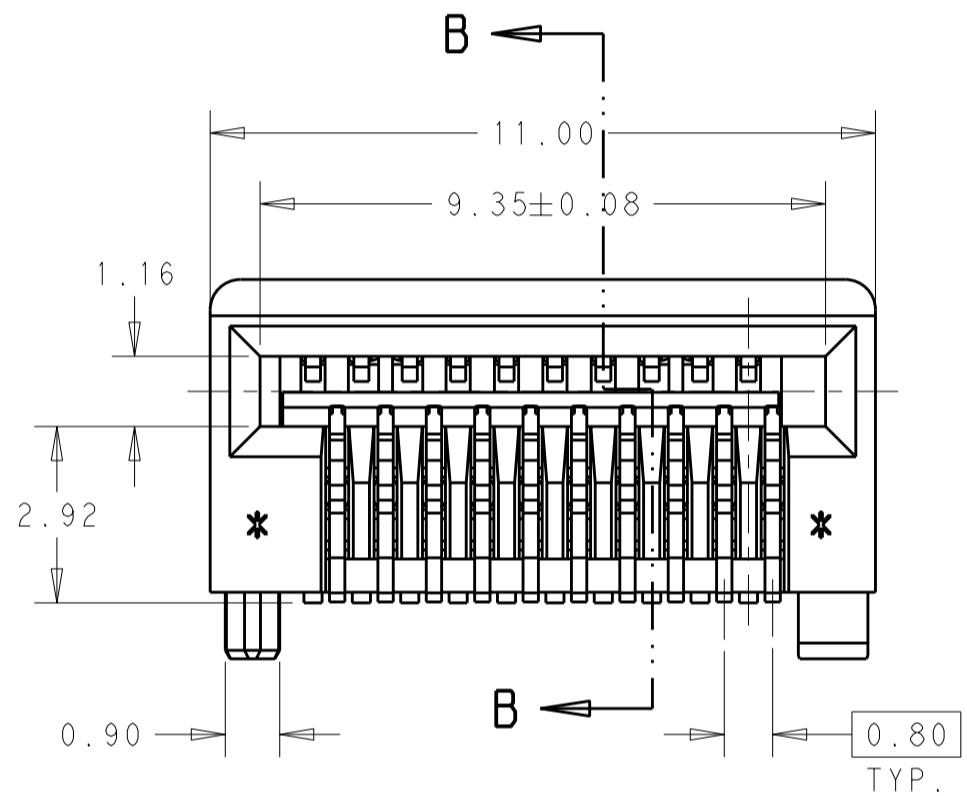


1 MATERIAL:  
 CONTACT: COPPER ALLOY  
 HOUSING: THERMOPLASTIC

2 FINISH:  
 UNDERPLATING: 2.54um MIN NICKEL UNDERPLATING  
 SOLDER AREA: GOLD FLASH OVER NICKEL  
 CONTACT AREA: 0.76um MIN GOLD OVER NICKEL

3 FINISH:  
 UNDERPLATING: 2.54um MIN NICKEL UNDERPLATING  
 SOLDER AREA: GOLD FLASH OVER NICKEL  
 CONTACT AREA: 0.08um MIN GOLD OVER 0.68 um PALLADIUM-NICKEL

4 DATE CODE MARKED IN THIS AREA.



THIS PRINT IS  
**PRELIMINARY**  
 UNQUALIFIED PRODUCT  
 CONTACT PRODUCT ENGINEERING  
 BEFORE USING THIS PRINT

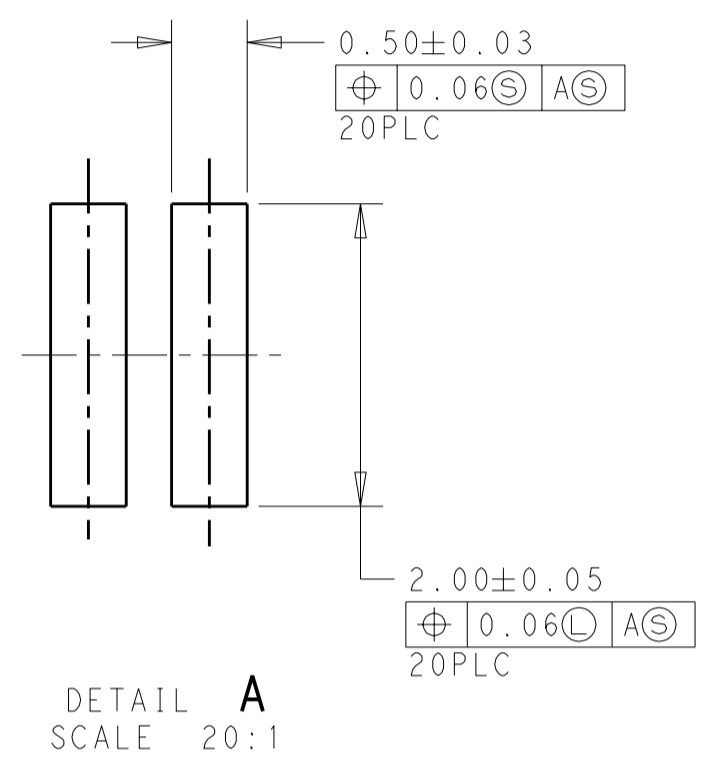
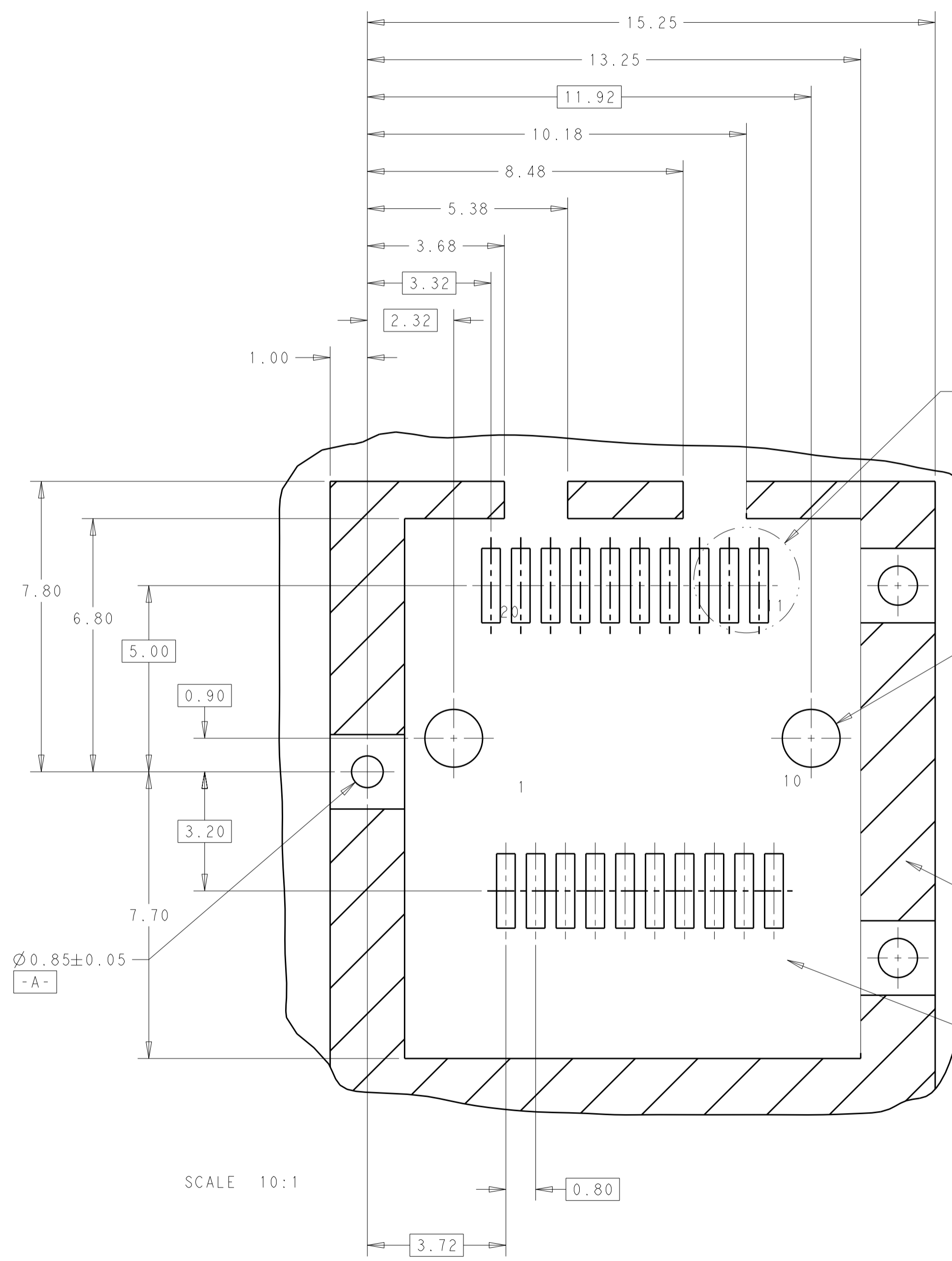
3	2170164-2
2	2170164-1
FINISH	TE PART NO.

THIS DRAWING IS A CONTROLLED DOCUMENT.		DWN	TIM XUE	31OCT2011
DIMENSIONS:		CHK	C. WANG	31OCT2011
mm		APVD	C. WANG	31OCT2011
TOLERANCES UNLESS OTHERWISE SPECIFIED:		NAME		
0 PLC	±	PRODUCT SPEC		
1 PLC	±0.25	APPLICATION SPEC		
2 PLC	±0.13	SCALE		
3 PLC	±	SHEET		
4 PLC	±	OF		
ANGLES	±	REV		
FINISH	±	2		
MATERIAL	1	CUSTOMER DRAWING		SCALE 8:1
FINISH		2 3		SHEET 1 OF 2
FINISH		2 3		REV 2

**STE** TE Connectivity  
 ASSEMBLY DRAWING  
 SMT, 20POS, ZSFP+

THIS DRAWING IS UNPUBLISHED. RELEASED FOR PUBLICATION 20  
 © COPYRIGHT 20 BY - ALL RIGHTS RESERVED.

LOC	DIST	REVISIONS			
P	LTR	DESCRIPTION	DATE	DWN	APVD
-	-	SEE SHEET 1	-	-	-



CROSS HATCHED AREA DENOTES COMPONENT AND TRACE KEEP-OUT (EXCEPT CHASSIS GROUND)

THIS AREA DENOTES COMPONENT KEEP-OUT (TRACES ALLOWED)

SCALE 10:1

THIS DRAWING IS A CONTROLLED DOCUMENT.		DWN TIM XUE 31OCT2011	TE Connectivity	
DIMENSIONS: mm		CHK C. WANG 31OCT2011		
TOLERANCES UNLESS OTHERWISE SPECIFIED:		APVD C. WANG 31OCT2011	NAME ASSEMBLY DRAWING SMT, 20POS, ZSFP+	
0 PLC ±-	1 PLC ±0.25	PRODUCT SPEC	SIZE CAGE CODE DRAWING NO RESTRICTED TO	
2 PLC ±0.13	3 PLC ±-	APPLICATION SPEC	A200779 C-2170164	
4 PLC ±-	ANGLES ±-	WEIGHT	SCALE 8:1 SHEET 2 OF 2 REV 2	
MATERIAL	FINISH	CUSTOMER DRAWING		