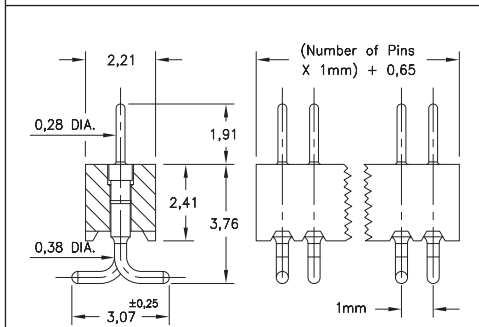
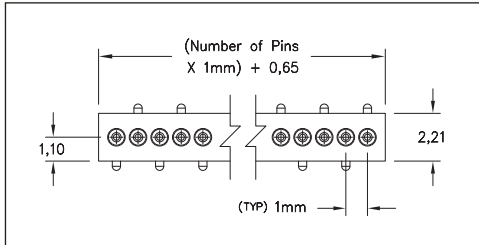


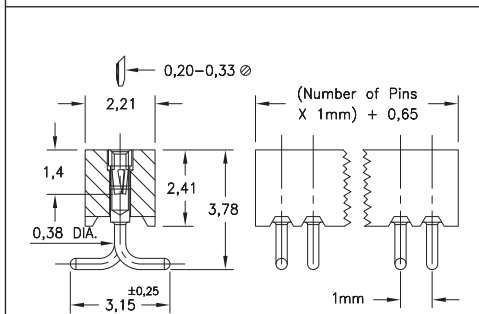
INTERCONNECTS

SERIES 860 & 861 • 1mm GRID SURFACE MOUNT GULL WING HEADERS & SOCKETS • SINGLE ROW STRIPS



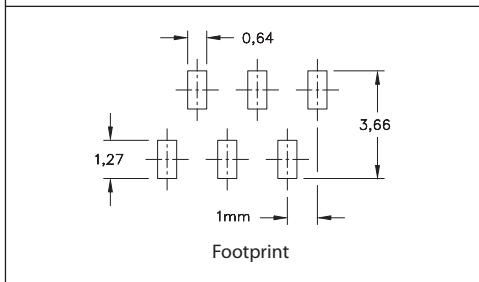
Coplanarity 0,13. For pin counts >20 positions, consult Technical Support.

FIG. 1

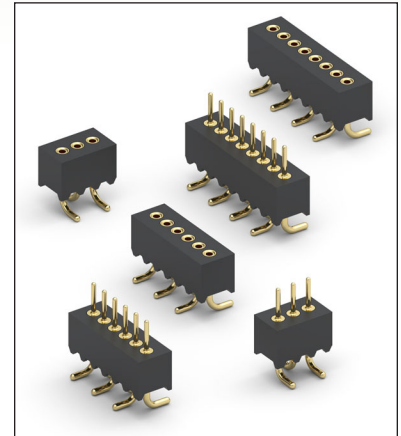


Coplanarity 0,13. For pin counts >20 positions, consult Technical Support.

FIG. 2



- Series 860 surface mount gull wing headers have 0,28 dia. pluggable pins for Surface Mount soldering to the P.C.B. (MM #3039). See page 208 for details
- Series 861 surface mount gull wing sockets uses MM #0439 receptacles that accept pin diameters from 0,20 - 0,33. See page 156 for details
- Receptacles use Hi-Rel, 3-finger BeCu #04 contact rated at 2 amps. See page 250 for details
- Insulators are high temperature thermoplastic, suitable for all soldering operations



ORDERING INFORMATION

FIG. 1	Series 860...002	Single Row Surface Mount Header			
		860-10-0	-30-002000		
	Specify number of pins		03-26		
	RoHS - 2 2011/65/EU	XX=Plating Code See Below	For Electrical, Mechanical & Environmental Data, See page 264		
	SPECIFY PLATING CODE XX=	10			
	Pin Plating	0,25µm Au			

FIG. 2	Series 861...002	Single Row Surface Mount Socket			
		861-13-0	-30-002000		
	Specify number of pins		03-26		
	RoHS - 2 2011/65/EU	XX=Plating Code See Below	For Electrical, Mechanical & Environmental Data, See page 264		
	SPECIFY PLATING CODE XX=	13			
	Sleeve (Pin)	0,25µm Au			
	Contact (Clip)	0,76µm Au			