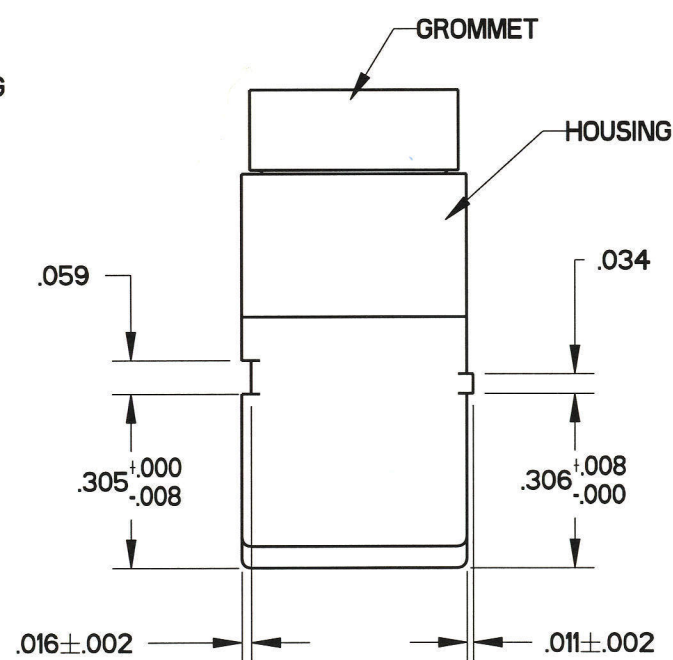
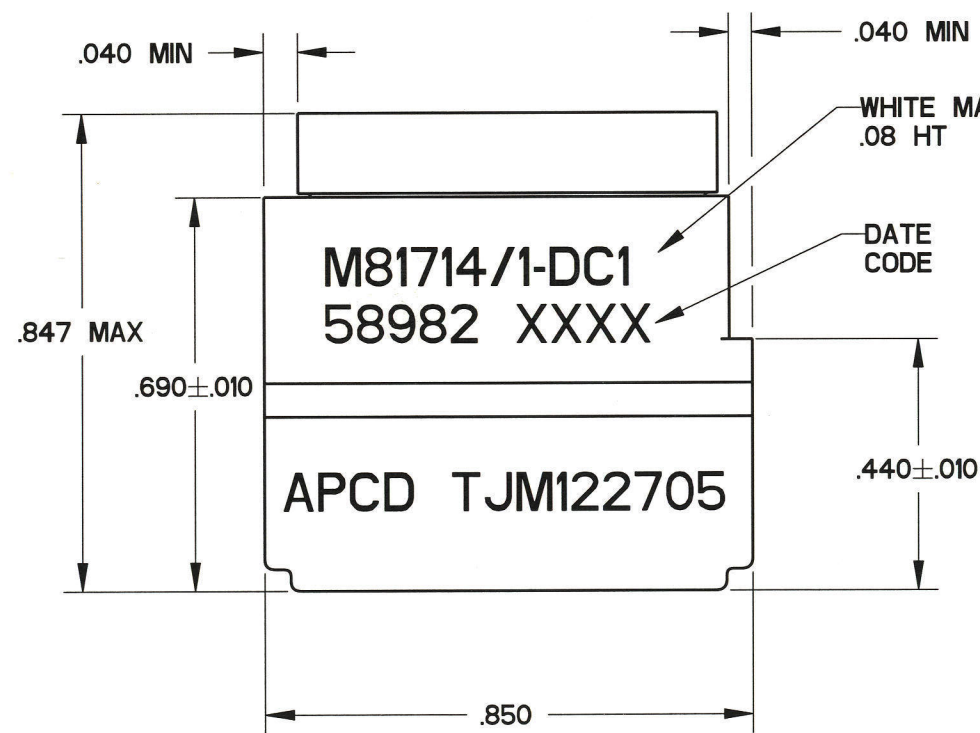
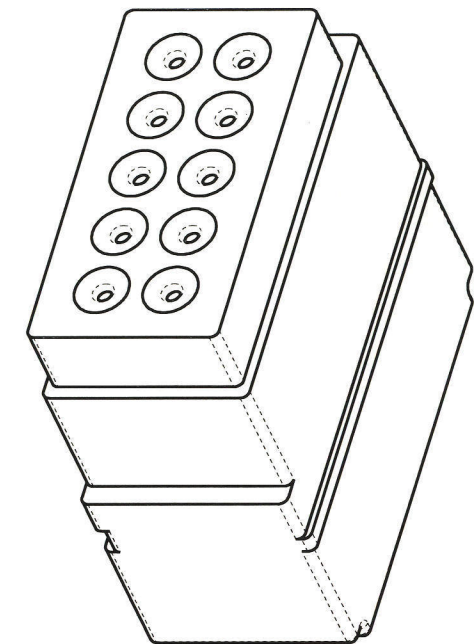
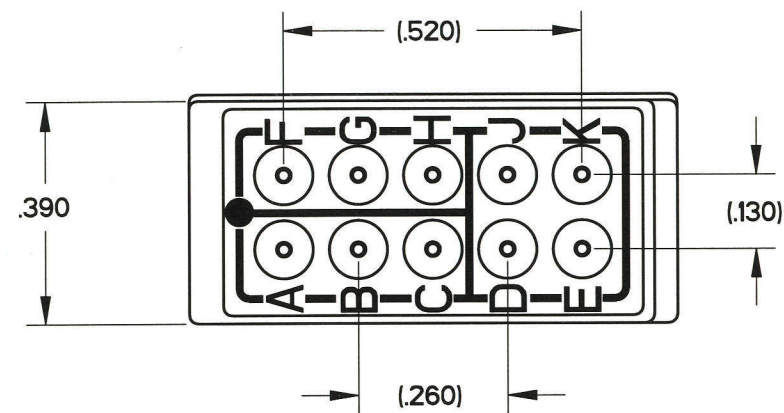


REV	ECN	APP'D
-	5814	JT 4-13-06



NOTES:

1. PERFORMANCE:

- A) MEETS PERFORMANCE AND ENVIRONMENTAL REQUIREMENTS OF MIL-T-81714/1
- B) MODULES ARE TO BE MOUNTED INTO RACK ASSEMBLY M81714/5 OR/16 OR COMMERCIAL EQUIVALENT.
- C) DIELECTRIC WITHSTANDING VOLTAGE: 1500 VRMS AT SEA LEVEL, 200 VRMS AT 100,000 FEET.
- D) OPERATING TEMPERATURE: -65 C TO 200 C.
- E) CURENT RATING: 5 AMPS
- F) VIBRATION AND SHOCK: MIL-T-81714 PARAGRAPH 3.5.5 AND 3.5.8

2. MATERIALS:

- A) HOUSING - POLYETHERIMIDE, COLOR: BLACK.
- B) GROMMET - SILICONE ELASTOMER, COLOR: BLUE
- C) INTERNAL CONTACTS - COPPER ALLOY, GOLD PLATED
- D) CONTACT RETAINERS - STAINLESS STEEL.

APCD P/N	SUPPLIED				MARKING		CLASS	
	PINS		PLUGS		APCD QPL NO.	MIL. NO		
	QTY.	MIL. P/N	APCD P/N	QTY.	APCD P/N			
TJM122605	--	--	--	--	--	TJM122705	M81714/1-DC1	D
TJM122705	11	M39029/1-100	CNP068000	2	CNA032401			

DIMENSIONS ANSI Y14.5M UNITS: INCHES Pro/E FILE	TOLERANCES .XX ±0.01 .XXX ±0.005 ANGLES ±2.0°	PROJECTION 	Amphenol Pcd SPECIFICATION DRAWING			TITLE TERMINAL JUNCTION MODULE SZ 22 FEEDBACK, DC1		
			DRWN A. SWEEZEY 03/09/06	ENGR R. SWAINE 03/01/06		SIZE B	DWG NO. TJM122605	REV -
ORIGINAL 	THIS DOCUMENT CONTAINS PROPRIETARY INFORMATION WHICH IS THE CONFIDENTIAL PROPERTY OF AMPHENOL PCD INC., PEABODY, MA			APPD Jude R 4-13-06		CODE: 58982	SCALE: 3:1	SHEET 1 OF 1

TJM122605

TJM122605