

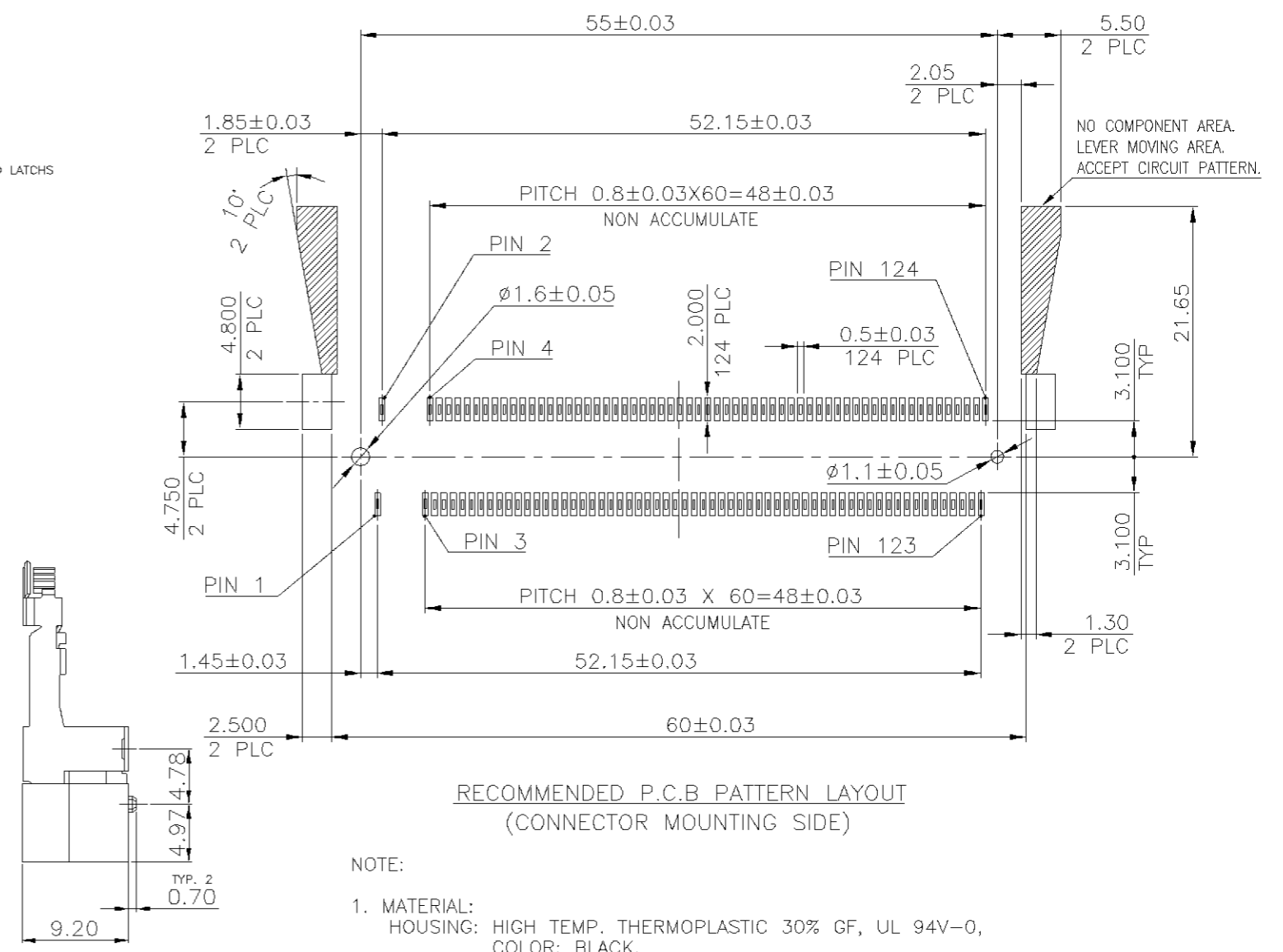
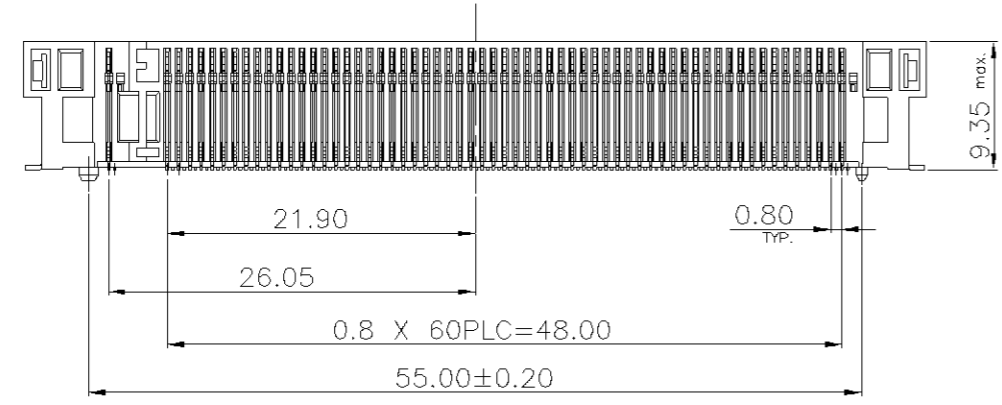
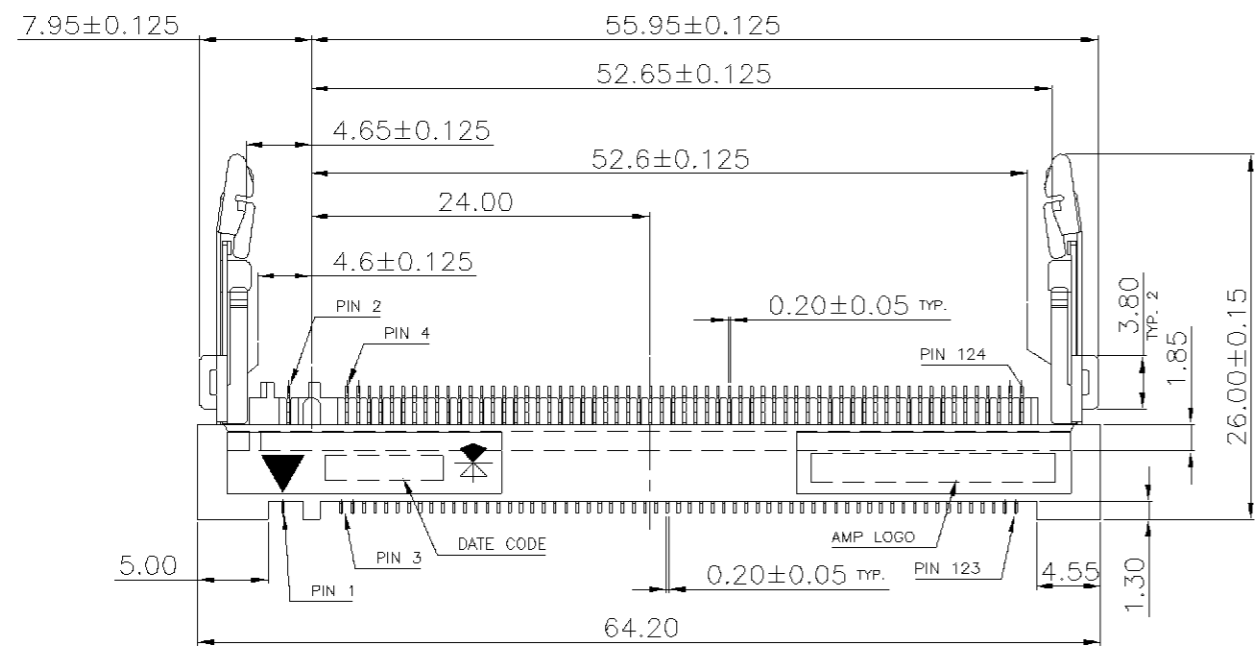
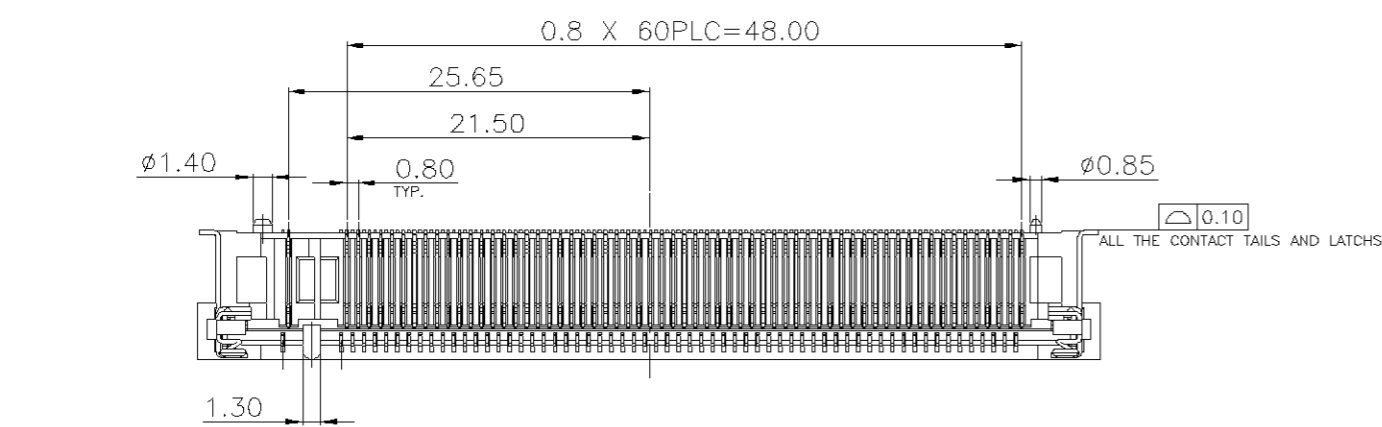
NUMBER  
C-1734069

3RD ANGLE PROJECTION

METRIC

THIS INFORMATION IS CONFIDENTIAL AND IS DISCLOSED TO YOU ON CONDITION THAT NO FURTHER DISCLOSURE IS MADE BY YOU TO OTHER THAN AMP PERSONNEL WITHOUT WRITTEN AUTHORIZATION FROM AMP (TAIWAN) LTD. DIMENSIONS IN MILLIMETERS. DO NOT SCALE PRINT.

PRINT  
DW



RECOMMENDED P.C.B. PATTERN LAYOUT  
(CONNECTOR MOUNTING SIDE)

- NOTE:
- MATERIAL:  
HOUSING: HIGH TEMP. THERMOPLASTIC 30% GF, UL 94V-0, COLOR: BLACK.  
CONTACTS: PHOSPHOR BRONZE.  
LATCHES: STAINLESS STEEL.
  - FINISH:  
CONTACTS: 5µ" MIN. GOLD PLATED IN CONTACT AREA, 100µ" MIN. TIN(MATTE) OVER 50µ" MIN. NICKEL ON SOLDER TAIL.  
50µ" MIN. NICKEL UNDERPLATED ALL OVER.  
LATCHES: 100µ" MIN. TIN (MATTE) OVER 50µ" MIN. NICKEL.
  - PRODUCT NET WEIGHT: 6.4g/PC.

	TAPE REEL	1734069-3
NO PRODUCTION	TRAY	1734069-2
	HARD TRAY	1734069-1
	PACKAGE TYPE	PART NUMBER

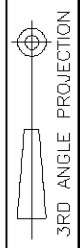
TOLERANCES UNLESS OTHERWISE SPECIFIED: 0 PLC ±0.25 1 PLC ±0.15 2 PLC ±0.1 3 PLC ±0.05 ANGLES ±2'	DWN J. LEE 11-JUN-2004	<b>tyco</b> TYCO HOLDINGS (BERMUDA) <b>Electronics</b> VII LTD. TAIWAN BRANCH NAME
MATERIAL SEE NOTE	CHK S. HOU 11-JUN-2004	
FINISH SEE NOTE	APVD W.J. KE 11-JUN-2004	0.8 PITCH MINI PCI SOCKET, 9.2 HEIGHT, 124 POSITION
	PRODUCT SPEC 108-57380	LOC DW
	APPLICATION SPEC -	SIZE A <sub>3</sub>
	WEIGHT	DRAWING NO C-1734069
		REV 0
		SCALE --
		SHEET 1 OF 6

O	FIRST RELEASED	FZ00-0113-04	JL SH	11JUN 2004
LTR	REVISION RECORD	ECN	DWN CHK	DATE

PRINT DIST  
DW

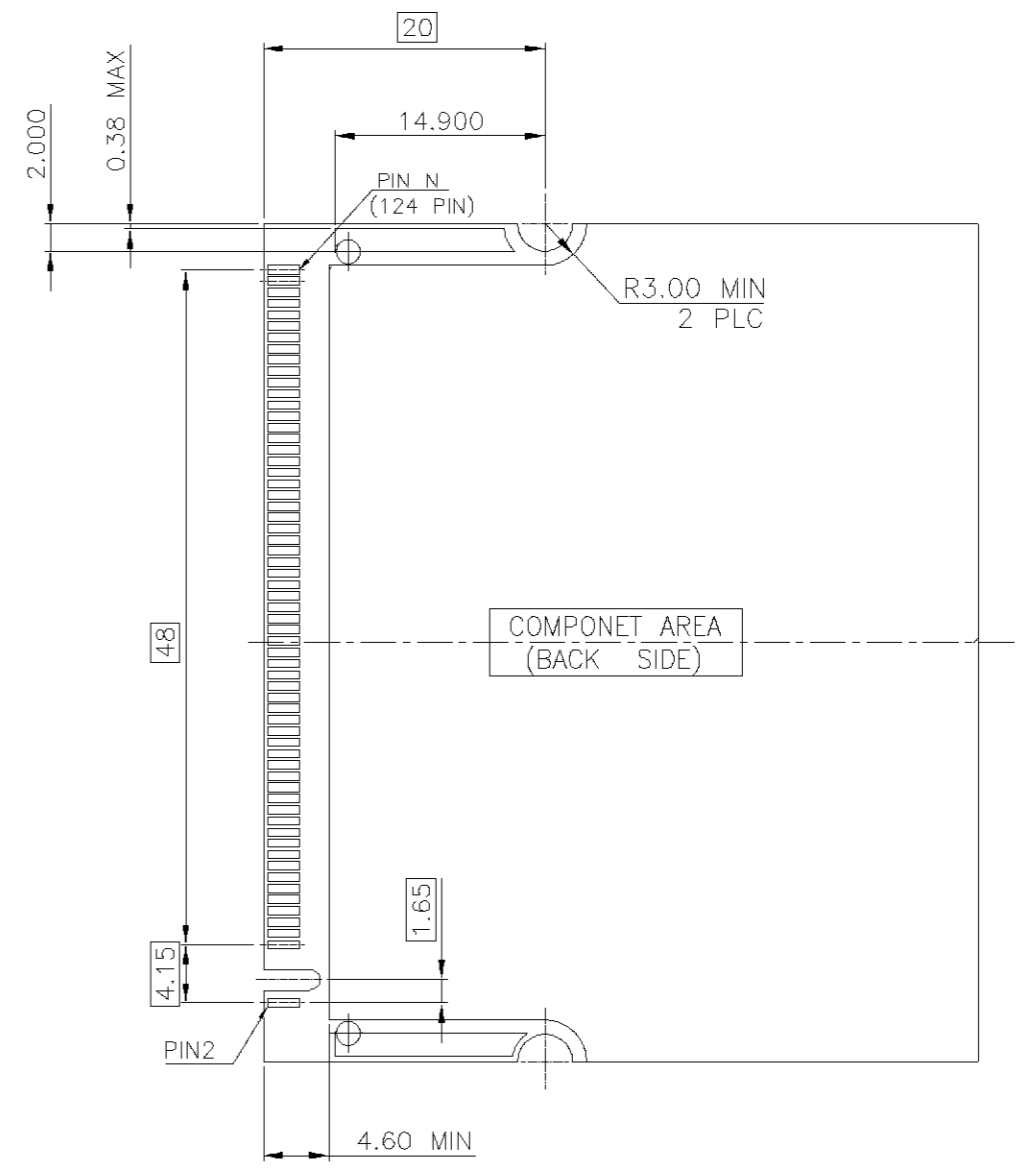
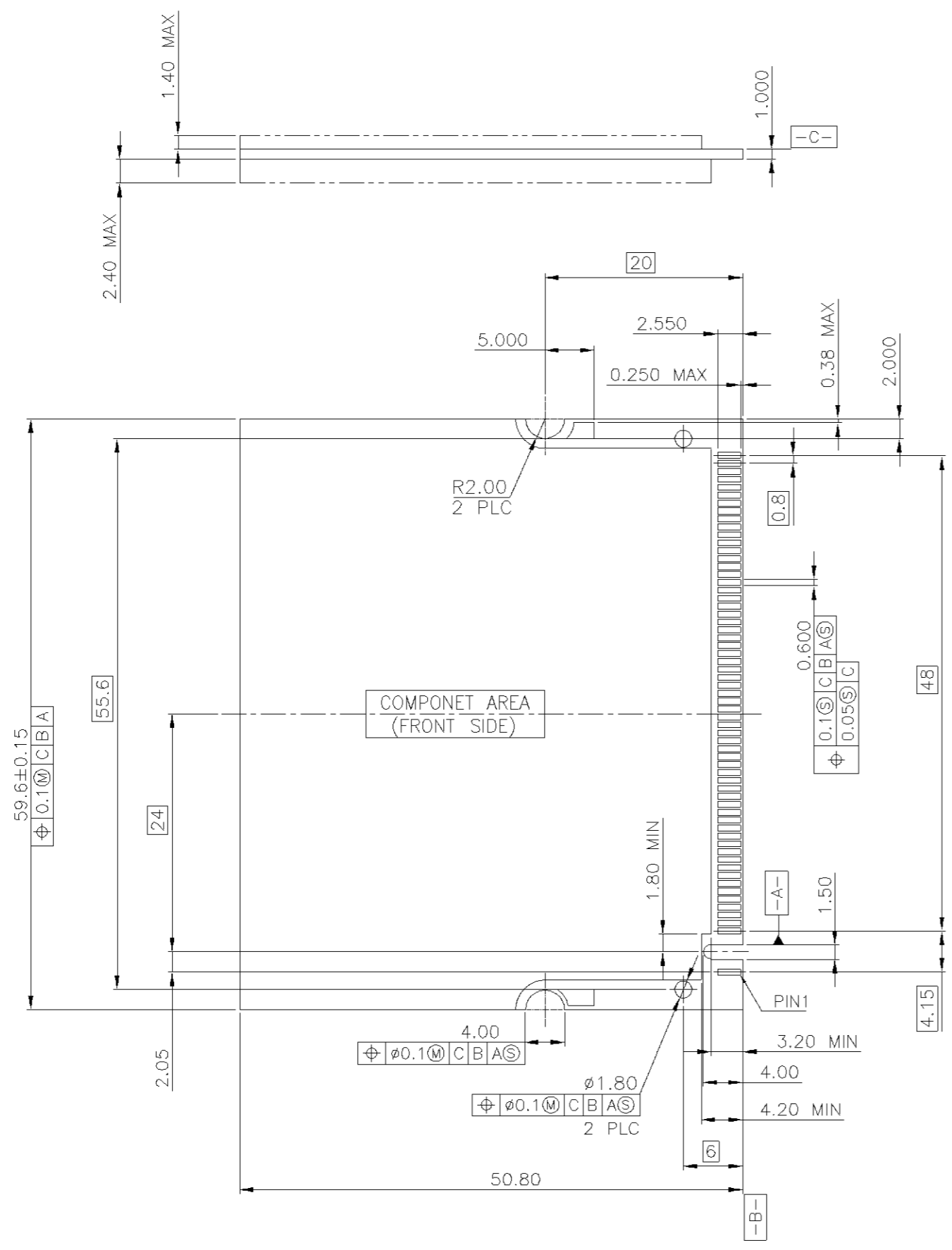
THIS INFORMATION IS CONFIDENTIAL AND IS DISCLOSED TO YOU ON CONDITION THAT NO FURTHER DISCLOSURE IS MADE BY YOU TO OTHER THAN AMP PERSONNEL WITHOUT WRITTEN AUTHORIZATION FROM AMP (TAIWAN) LTD. DIMENSIONS IN MILLIMETERS. DO NOT SCALE PRINT.

METRIC



NUMBER  
C-1734069

8 7 6 5 4 3 2 1  
CUSTOMER DRAWING



LTR	SEE SHEET 1.	ECN	DWN	CHK	DATE
	REVISION RECORD				

TOLERANCES UNLESS OTHERWISE SPECIFIED:		DWN	J. LEE	<b>tyco</b> TYCO HOLDINGS (BERMUDA) VII LTD. TAIWAN BRANCH
0 PLC	±0.25	CHK	S. HOU	
1 PLC	±0.15	APVD	W.J. KE	NAME 0.8 PITCH MINI PCI SOCKET, 9.2 HEIGHT, 124 POSITION
2 PLC	±0.1	PRODUCT SPEC	11-JUN-2004	
3 PLC	±0.05	APPLICATION SPEC		LOC SIZE DRAWING NO REV DW A <sub>3</sub> C-1734069 0
ANGLES	±2'	WEIGHT		
		SCALE	--	SHEET
				2 OF 6

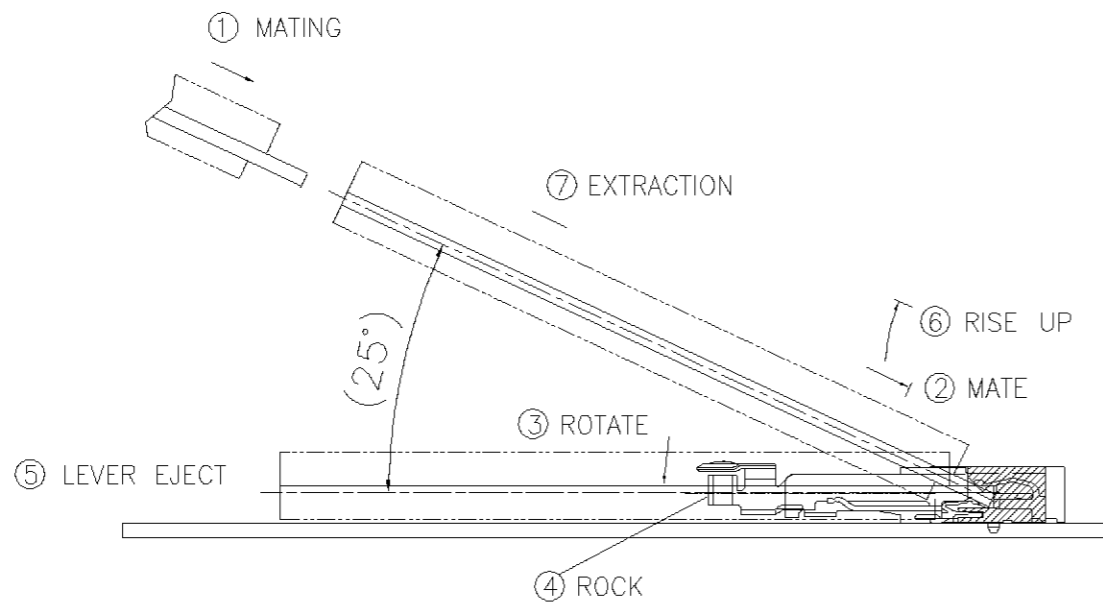
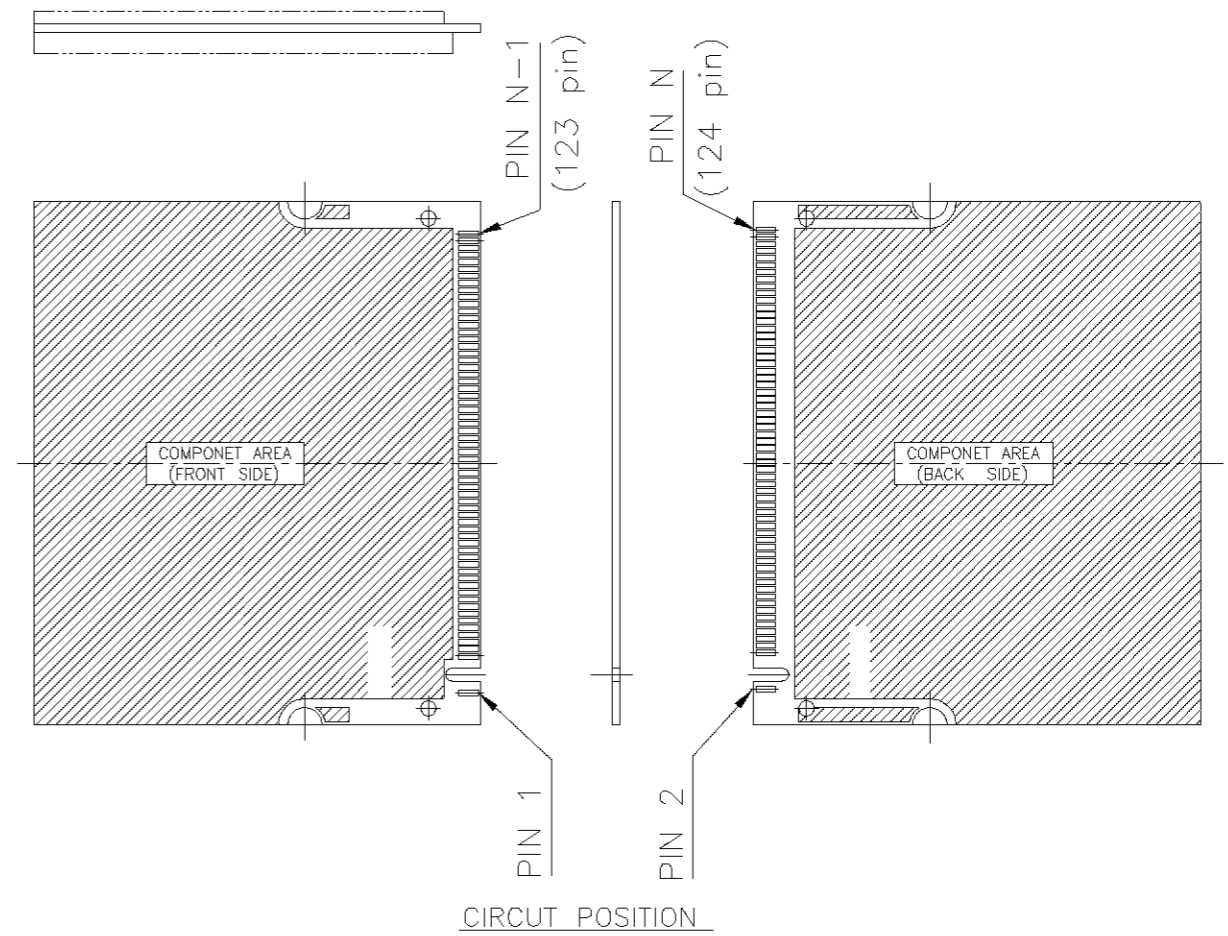
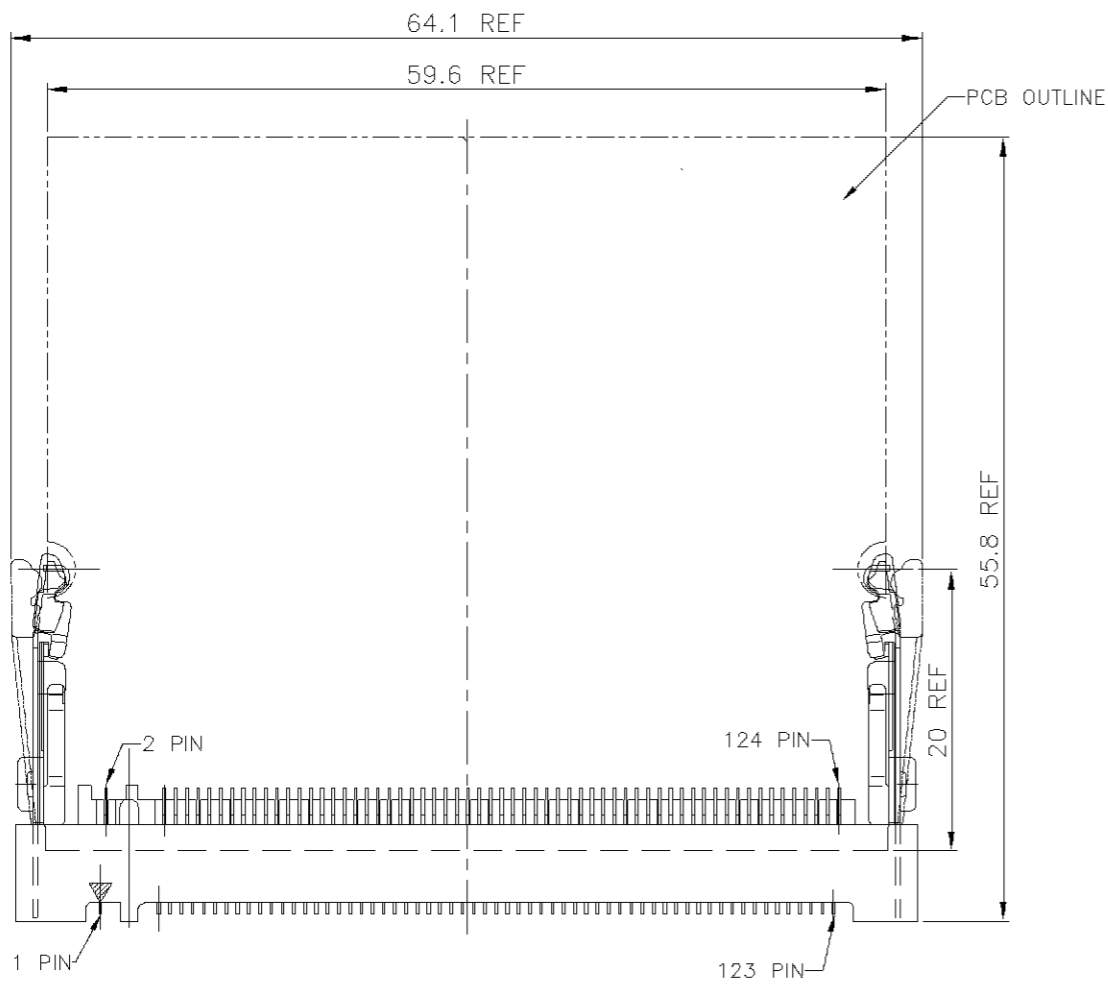
NUMBER  
C-1734069

3RD ANGLE PROJECTION

METRIC

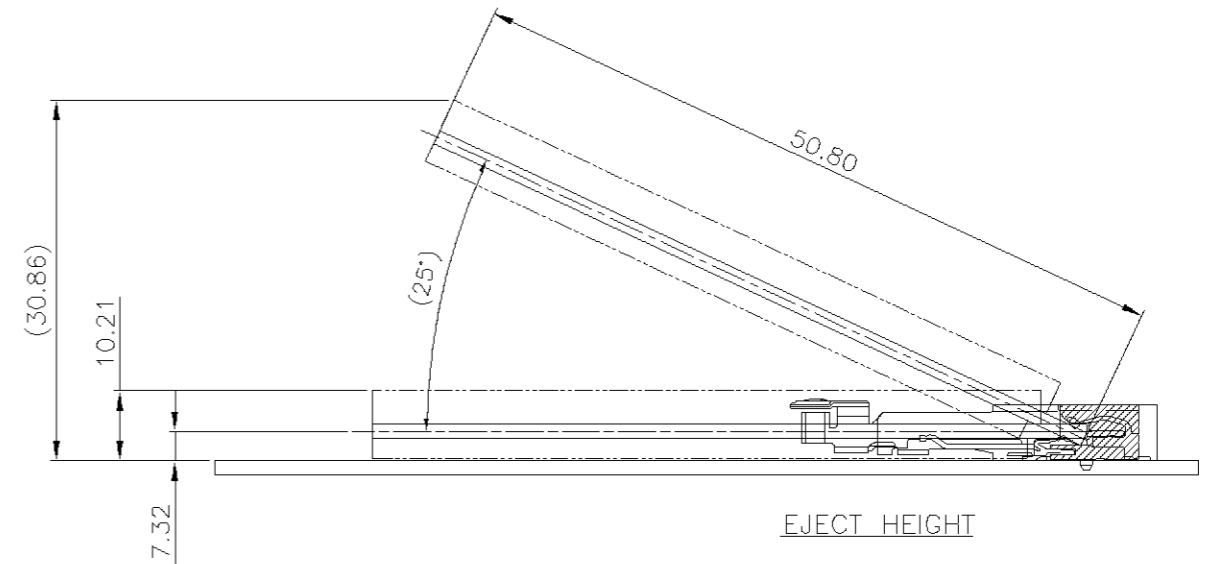
THIS INFORMATION IS CONFIDENTIAL AND IS DISCLOSED TO YOU ON CONDITION THAT NO FURTHER DISCLOSURE IS MADE BY YOU TO OTHER THAN AMP PERSONNEL WITHOUT WRITTEN AUTHORIZATION FROM AMP (TAIWAN) LTD. DIMENSIONS IN MILLIMETERS. DO NOT SCALE PRINT.

PRINT  
DW



HOW TO MATE AND UNMATE

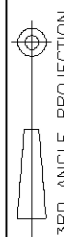
MATE: ① ~ ④  
UNMATE: ⑤ ~ ⑦



TOLERANCES UNLESS OTHERWISE SPECIFIED:		DWN	J. LEE	<b>tyco</b> TYCO HOLDINGS (BERMUDA) VII LTD. TAIWAN BRANCH
0 PLC	±0.25	CHK	S. HOU	
1 PLC	±0.15	11-JUN-2004		NAME
2 PLC	±0.1	11-JUN-2004		
3 PLC	±0.05	11-JUN-2004		0.8 PITCH MINI PCI SOCKET, 9.2 HEIGHT, 124 POSITION
ANGLES	±2'	11-JUN-2004		
MATERIAL	-	APVD	W.J. KE	LOC SIZE DRAWING NO REV DW A <sub>3</sub> C-1734069 0
FINISH	-	PRODUCT SPEC	11-JUN-2004	
		APPLICATION SPEC		SCALE SHEET -- 3 OF 6
		WEIGHT		

SEE SHEET 1.	ECN	DWN	CHK	DATE
LTR	REVISION RECORD			

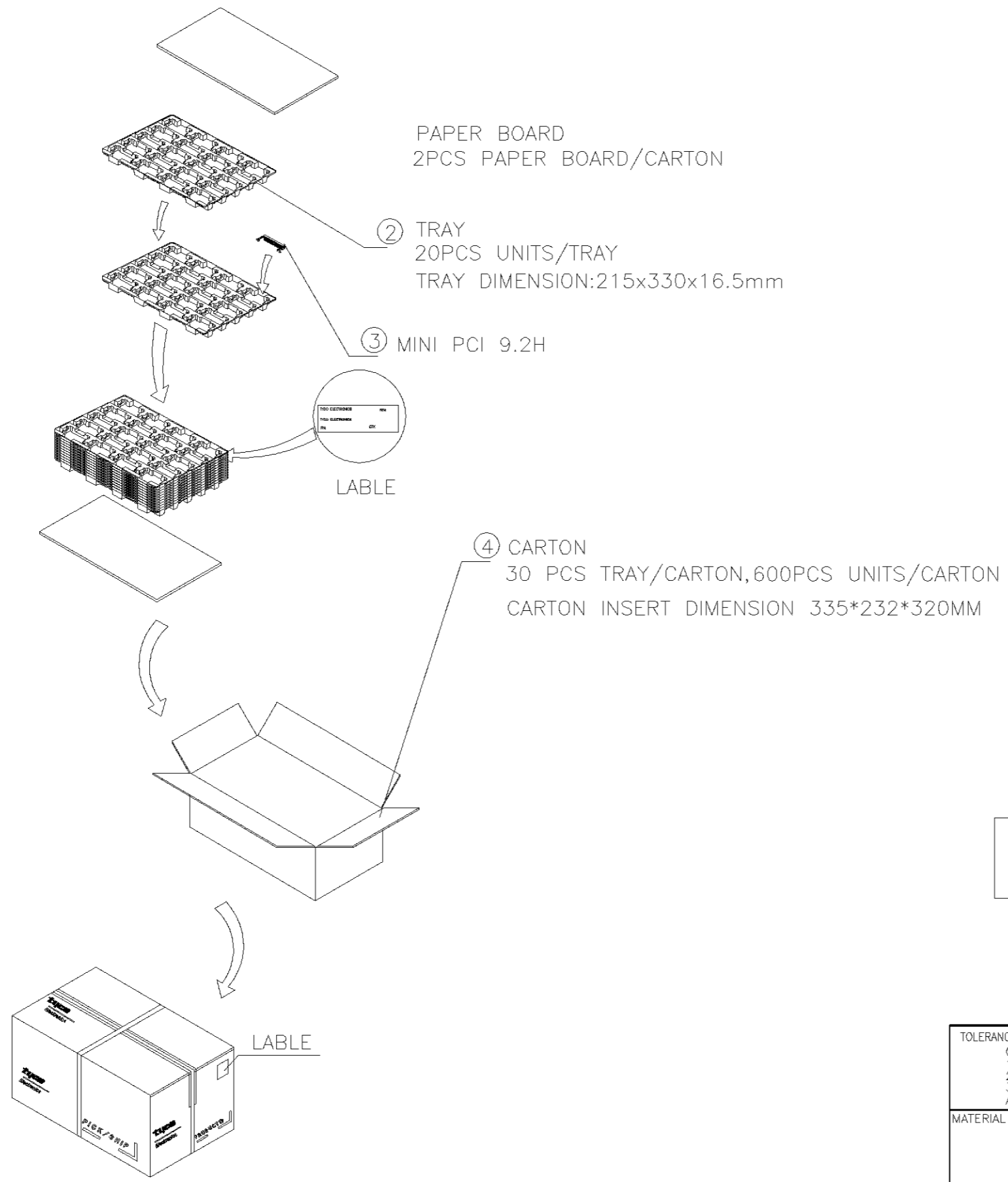
NUMBER  
C-1734069



METRIC

THIS INFORMATION IS CONFIDENTIAL AND IS DISCLOSED TO YOU ON CONDITION THAT NO FURTHER DISCLOSURE IS MADE BY YOU TO OTHER THAN AMP PERSONNEL WITHOUT WRITTEN AUTHORIZATION FROM AMP (TAIWAN) LTD. DIMENSIONS IN MILLIMETERS. DO NOT SCALE PRINT.

PRINT DIST  
DW



NOTES:

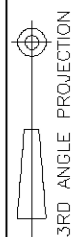
- 1.TRYA MATERIAL:PS, CLEAR CLEAR
- 2.PRIMARY PACKING:600PCS/CARTON
- 3.SECONDARY PACKING:20PCS/TRAY
- 4.NET WEIGHT: 6.4g/PC UNIT.  
128g/TRAY,3.84kg/CARTON
- 5.GROSS WEIGHT:5.5Kg/CARTON.

FOR 1734069-2

TOLERANCES UNLESS OTHERWISE SPECIFIED:		DWN	J. LEE	<b>tyco</b> Electronics	TYCO HOLDINGS (BERMUDA) VII LTD. TAIWAN BRANCH		
0 PLC ±	1 PLC ±	11-JUN-2004	S. HOU		NAME		
2 PLC ±	3 PLC ±	11-JUN-2004	W.J. KE	0.8 PITCH MINI PCI SOCKET, 9.2 HEIGHT, 124 POSITION			
ANGLES ±			11-JUN-2004	PRODUCT SPEC			
MATERIAL		APVD		APPLICATION SPEC			
-				WEIGHT			
FINISH				LOC	SIZE	DRAWING NO	REV
-				DW	A <sub>3</sub>	C-1734069	0
				SCALE	--	SHEET	4 OF 6

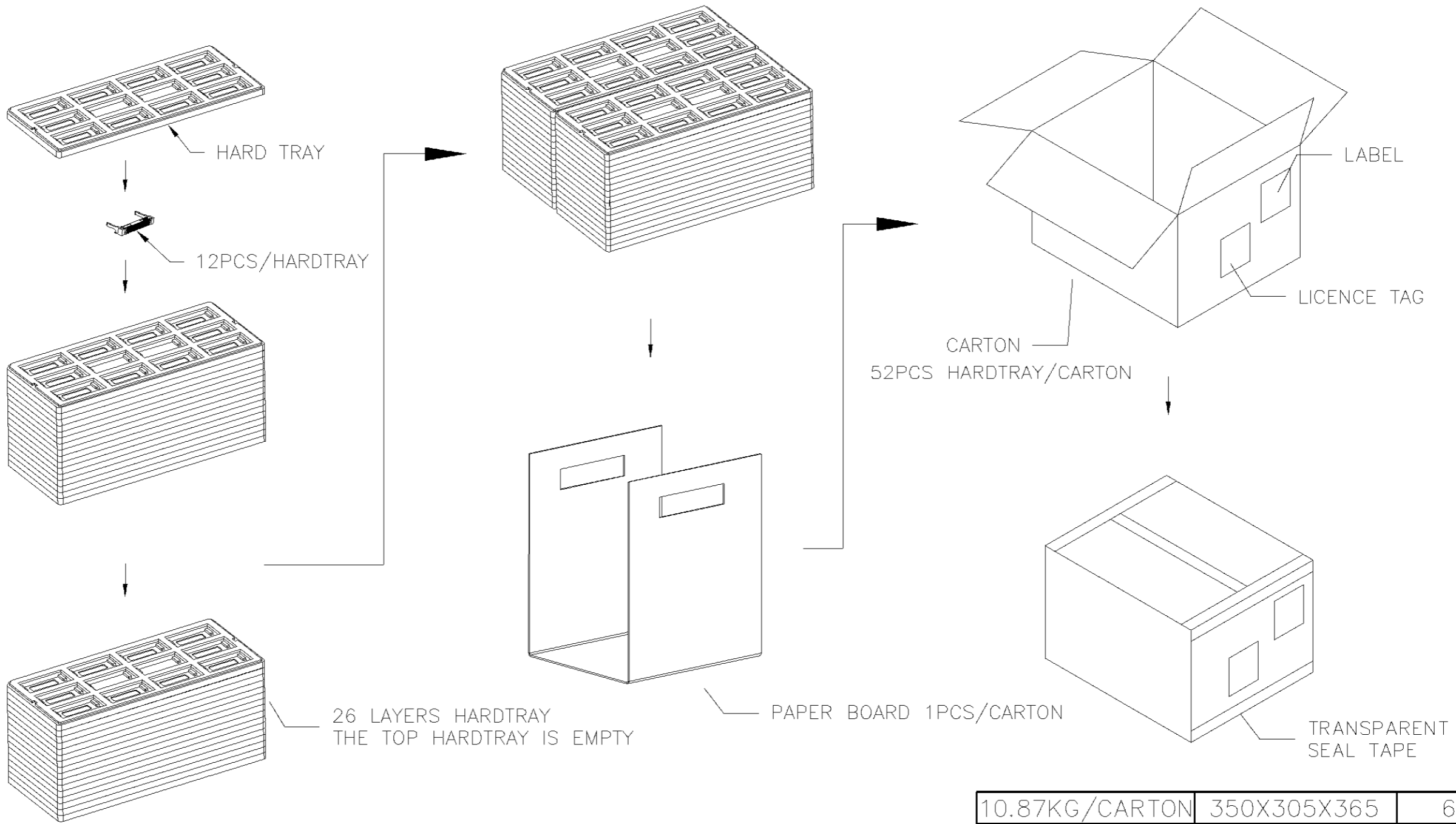
SEE SHEET 1.	ECN	DWN	CHK	DATE
LTR	REVISION RECORD			

NUMBER  
C-1734069



METRIC

THIS INFORMATION IS CONFIDENTIAL AND IS DISCLOSED TO YOU ON CONDITION THAT NO FURTHER DISCLOSURE IS MADE BY YOU TO OTHER THAN AMP PERSONNEL WITHOUT WRITTEN AUTHORIZATION FROM AMP (TAIWAN) LTD. DIMENSIONS IN MILLIMETERS. DO NOT SCALE PRINT.



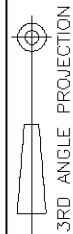
FOR 1734069-1

10.87KG/CARTON	350X305X365	600 PCS
GROSS WEIGHT	CARTON SIZE	QT'Y/CARTON

TOLERANCES UNLESS OTHERWISE SPECIFIED: 0 PLC ± 1 PLC ± 2 PLC ± 3 PLC ± ANGLES ±	DWN	J. LEE 11-JUN-2004	<b>tyco</b> TYCO HOLDINGS (BERMUDA) VII LTD. TAIWAN BRANCH
	CHK	S. HOU 11-JUN-2004	
MATERIAL -	APVD	W.J. KE 11-JUN-2004	NAME 0.8 PITCH MINI PCI SOCKET, 9.2 HEIGHT, 124 POSITION.
	PRODUCT SPEC	-	
FINISH -	APPLICATION SPEC	-	LOC SIZE DRAWING NO REV DW <b>A</b> <sub>3</sub> C-1734069 0
	WEIGHT	-	SCALE SHEET -- 5 OF 6

LTR	REVISION RECORD	ECN	DWN	CHK	DATE
	SEE SHEET 1.				

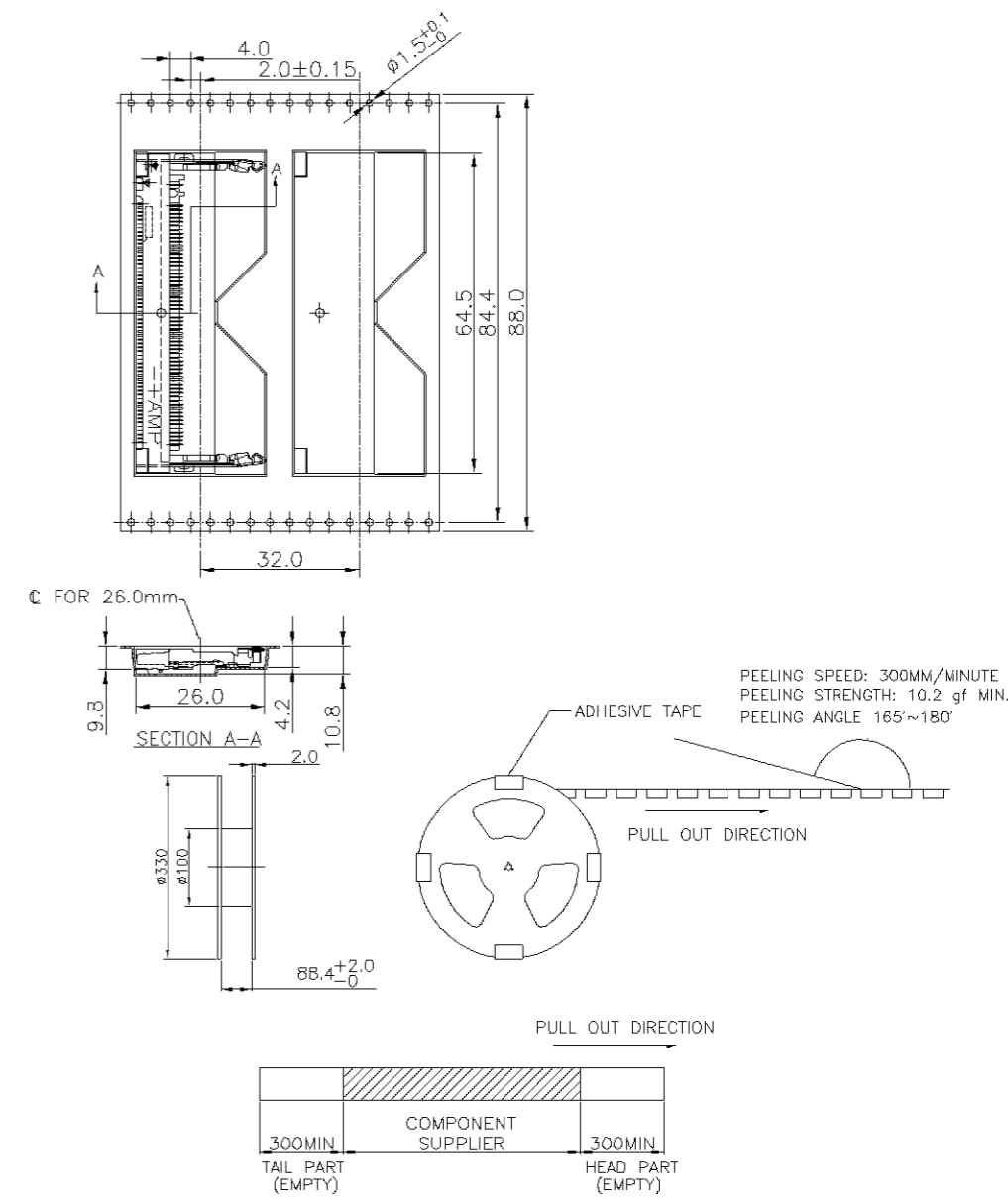
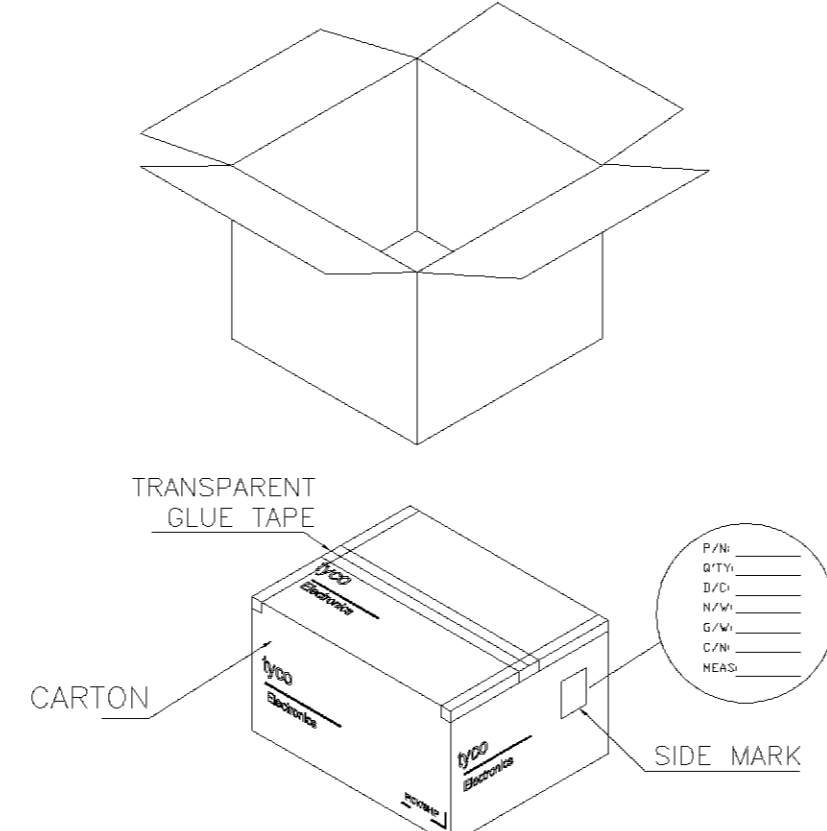
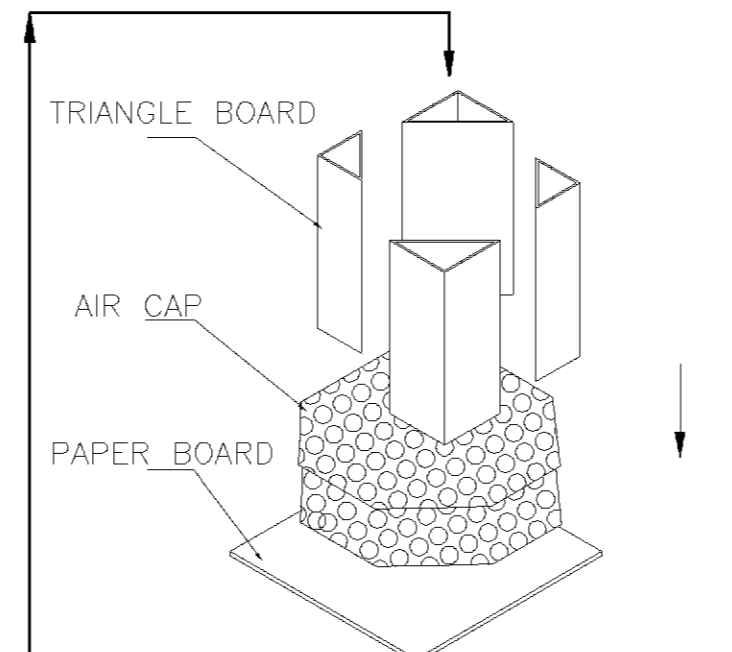
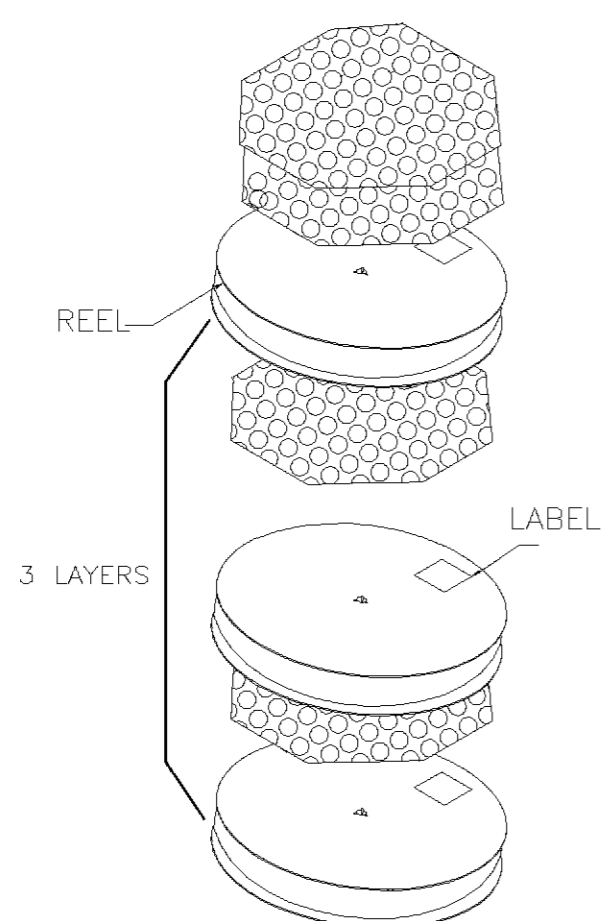
NUMBER  
C-1734069



METRIC

THIS INFORMATION IS CONFIDENTIAL AND IS DISCLOSED TO YOU ON CONDITION THAT NO FURTHER DISCLOSURE IS MADE BY YOU TO OTHER THAN AMP PERSONNEL WITHOUT WRITTEN AUTHORIZATION FROM AMP (TAIWAN) LTD. DIMENSIONS IN MILLIMETERS. DO NOT SCALE PRINT.

PRINT DIST  
DW



FOR 1734069-3

5.8KG/CARTON	355X355X345	450 PCS
GROSS WEIGHT	CARTON SIZE	QT'Y/CARTON

TOLERANCES UNLESS OTHERWISE SPECIFIED: 0 PLC ± 1 PLC ±0.15 2 PLC ±0.10 3 PLC ±0.05 ANGLES ±2'	DWN J. LEE 11-JUN-2004	<b>tyco</b> <b>Electronics</b> TYCO HOLDINGS (BERMUDA) VII LTD. TAIWAN BRANCH
MATERIAL	CHK S. HOU 11-JUN-2004	
FINISH	APVD W.J. KE 11-JUN-2004	0.8 PITCH MINI PCI SOCKET, 9.2 HEIGHT, 124 POSITION.
	PRODUCT SPEC	
	APPLICATION SPEC	LOC SIZE DRAWING NO REV DW A <sub>3</sub> C-1734069 0
	WEIGHT	SCALE SHEET -- 6 OF 6

LTR	REVISION RECORD	ECN	DWN	CHK	DATE
	SEE SHEET 1.				