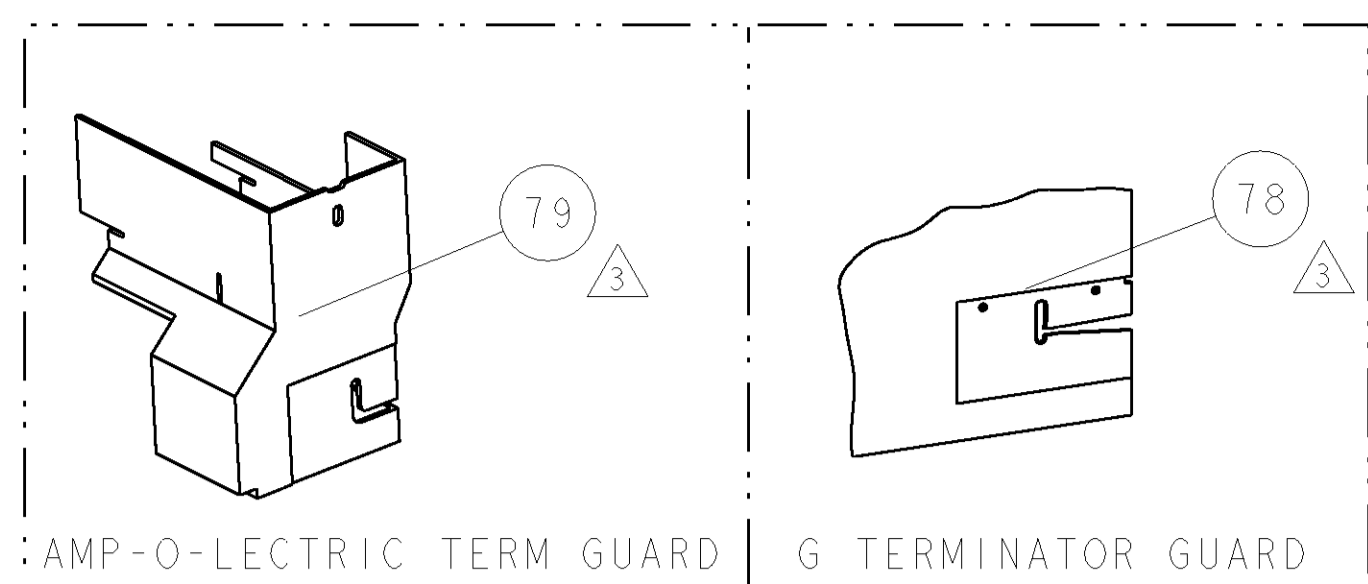
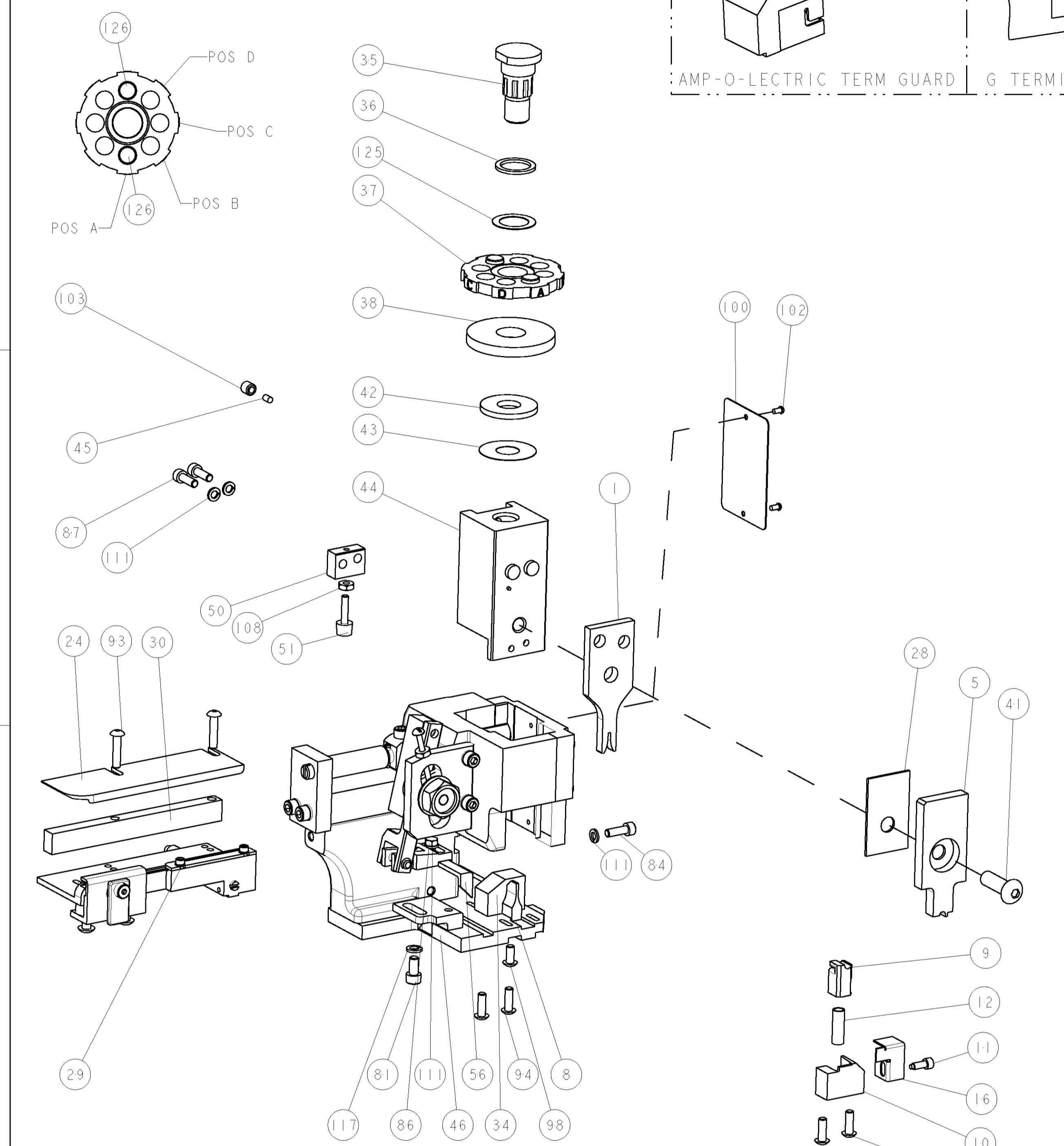


PART NUMBER	REV	FIRST USED	POWER UNIT	FEED TYPE
1385756-1	A	122500-1	LEADMAKER	POST FEED
1385756-2	A	565435-5	BENCH MODEL K	PRE FEED
1385756-3	A	354500-1	BENCH MODEL G	PRE FEED



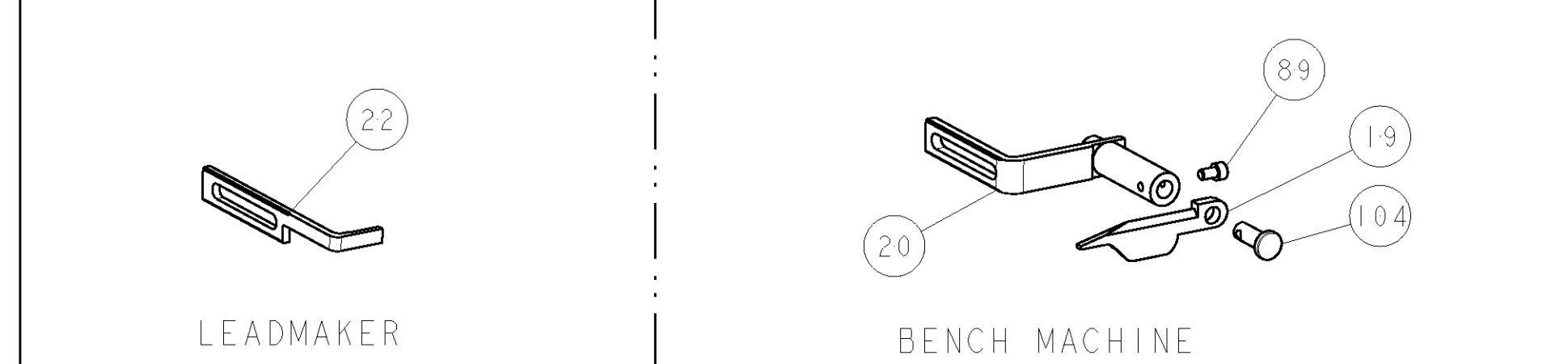
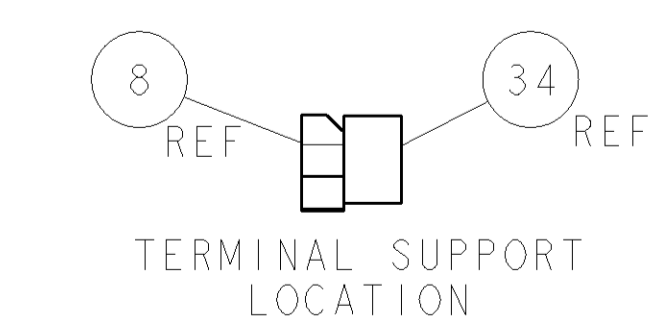
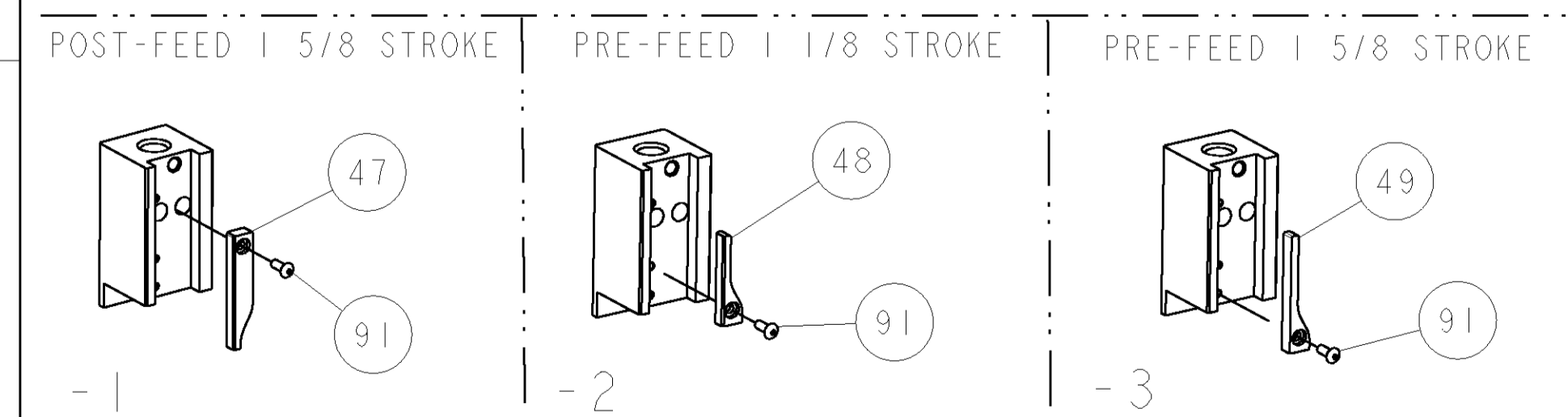
TERMINAL NAME: RECEPTACLE, .058 DIA., INSUL. PIERCING				
TERM PN		AMP TERMINAL - AMP CRIMP SPECS		
350393	-			
		PAD LTR	CRIMP HEIGHT	WIRE SIZE
		A	.038±.002 [.97±0.05mm]	TINSEL WIRE
		B	-	-
		C	-	-
		D	-	-
		CRIMP	SIZE	TYPE
			.055 [1.40mm]	F
		WIRE		TINSEL WIRE
		INSUL		-
WIRE STRIP LENGTH	TERM APPL SPEC	FEED	APPL INSTRUCTIONS	SET UP GAGE
NONE	114-1008	.255	408-8040	458637-1

LOC	DIST	REV	DESCRIPTION	DATE	BY	APPD
A	66		RELEASED	21APR2004	RK	GB



- 1 RECOMMENDED SPARE PARTS
- 2 GREASE LIGHTLY
- 3 GUARD MUST BE IN PLACE WHEN OPERATING APPLICATOR IN A BENCH MACHINE

-	-	-	-	-	-	129
-	-	-	-	-	-	128
-	-	-	-	-	-	127
-	-	-	-	-	-	126
2	2	2	-	4-354779-4	PIN, WIRE DISC, .3210	125
1	1	1	-	986950-1	WASHER, FLAT PRECISION	124
1	1	1	-	217238-1	GENERAL INSTRUCTION PKG	123
1	1	1	-	4088040	SF APPL INST 408-8040	122
-	-	-	-	-	-	121
-	-	-	-	-	-	120
-	-	-	-	-	-	119
-	-	-	-	-	-	118
1	1	1	-	21024-5	WASHER, SPRG LOCK, REG NO 10	117
-	-	-	-	-	-	116
-	-	-	-	-	-	115
-	-	-	-	-	-	114
-	-	-	-	-	-	113
-	-	-	-	-	-	112
4	4	4	-	21024-4	WASHER, SPRG LOCK, REG NO 8	111
-	-	-	-	-	-	110
-	-	-	-	-	-	109
1	1	1	-	21018-5	NUT, HEX, REG 6-32	108
-	-	-	-	-	-	107
-	-	-	-	-	-	106
-	-	-	-	-	-	105
1	1	1	-	992031-1	PIN, CLEVIS	104
1	1	1	-	21009-2	SCR, SET, SELF LOCKING 1/4-20 X .250	103
2	2	2	-	21017-2	SCREW, DRIVE	102
-	-	-	-	-	-	101
1	1	1	-	461264-1	PLATE, IDENTIFICATION	100
-	-	-	-	-	-	99
1	1	1	-	22733-8	SCR, BHSC, SELF-LOCKING, 8-32 X .375	98
-	-	-	-	-	-	97
-	-	-	-	-	-	96
-	-	-	-	-	-	95
4	4	4	-	2-21002-2	SCR, BTN SKT HD CAP 8-32 X .500	94
2	2	2	-	2-21002-4	SCR, BTN SKT HD CAP 8-32 X .750	93
-	-	-	-	-	-	92
1	1	1	-	1-21002-7	SCR, BTN SKT HD CAP 6-32 X .375	91
-	-	-	-	-	-	90
1	1	1	-	7-21000-9	SCR, SKT HD CAP 4-40 X .188	89
-	-	-	-	-	-	88
2	2	2	-	2-21000-7	SCR, SKT HD CAP 8-32 X .500	87
1	1	1	-	2-22603-0	SCR, HEX HD CAP 8-32 X .312	86
-	-	-	-	-	-	85
1	1	1	-	2-21000-7	SCR, SKT HD CAP 8-32 X .500	84
-	-	-	-	-	-	83
-	-	-	-	-	-	82
1	1	1	-	3-21000-4	SCR, SKT HD CAP 10-32 X .375	81
-	-	-	-	-	-	80
-	-	-	-	-	-	79
-	-	-	-	455749-1	GUARD WINDOW	78
-	-	-	-	679532-1	INSERT, GUARD	77
-	-	-	-	-	-	76
-	-	-	-	-	-	75
-	-	-	-	-	-	74
-	-	-	-	-	-	73
-3	-2	-1	U/M	PART NO	DESCRIPTION	ITEM NO



-	-	-	-	-	-	73
-	-	-	-	-	-	72
-	-	-	-	-	-	71
-	-	-	-	-	-	70
-	-	-	-	-	-	69
-	-	-	-	-	-	68
-	-	-	-	-	-	67
-	-	-	-	-	-	66
-	-	-	-	-	-	65
-	-	-	-	-	-	64
-	-	-	-	-	-	63
-	-	-	-	-	-	62
-	-	-	-	-	-	61
-	-	-	-	-	-	60
-	-	-	-	-	-	59
-	-	-	-	-	-	58
-	-	-	-	-	-	57
1	1	1	-	458537-2	PAWL, FEED	56
-	-	-	-	-	-	55
-	-	-	-	-	-	54
-	-	-	-	-	-	53
-	-	-	-	-	-	52
1	1	1	-	811242-2	BUMPER, HOLD DOWN	51
1	1	1	-	690753-1	SPACER, TONKER	50
1	-	-	-	690602-6	CAM, PRE FEED, 1 5/8	49
-	1	-	-	690602-5	CAM, PRE FEED, 1 1/8	48
-	-	1	-	690501-4	CAM, POST FEED, 1 5/8	47
1	1	1	-	459456-1	APPL. BASIC SUB ASSEMBLY	46
1	1	1	-	690191-1	PLUG, NYLON	45
1	1	1	-	455673-1	RAM	44
1	1	1	-	690125-1	SHIM SUB-ASSY	43
1	1	1	-	690124-1	WASHER, RAM (.115)	42
1	1	1	-	7-21002-9	SCR, BTN SKT HD CAP 5/16-24 X 1.00	41
-	-	-	-	-	-	40
-	-	-	-	-	-	39
1	1	1	-	690223-2	SPACER, INSULATION DISC	38
1	1	1	-	354777-1	WIRE DISC, PLASTIC	37
1	1	1	-	22480-5	SPRING, COMPRESSION	36
1	1	1	-	690212-1	POST, RAM	35
1	1	1	-	690786-3	TERMINAL SUPPORT	34
-	-	-	-	-	-	33
-	-	-	-	-	-	32
-	-	-	-	-	-	31
1	1	1	-	1320908-4	SPACER, STRIP GUIDE	30
1	1	1	-	1633091-1	SUB-ASSEMBLY, FEEDTRACK	29
1	1	1	-	1-455888-0	SPACER, CRIMPER	28
-	-	-	-	-	-	27
-	-	-	-	-	-	26
-	-	-	-	-	-	25
1	1	1	-	1320928-1	PLATE, STRIP GUIDE	24
-	-	-	-	-	-	23
-	-	-	-	690472-2	STRIPPER	22
-	-	-	-	-	-	21
1	1	1	-	679218-1	STRIPPER/ WIRE STOP ASSY	20
1	1	1	-	458949-1	STRIPPER, SIDE	19
-	-	-	-	-	-	18
-	-	-	-	-	-	17
1	1	1	-	318563-1	GUARD, FRONT CHIP	16
-	-	-	-	-	-	15
-	-	-	-	-	-	14
-	-	-	-	-	-	13
1	1	1	-	5-22280-0	SPRING, COMPRESSION	12
1	1	1	-	690461-1	STOP, SHEAR	11
1	1	1	-	690459-1	SHEAR HOLDER, FRONT	10
1	1	1	-	462006-1	FLOATING SHEAR, FRONT	9
1	1	1	-	1633117-1	ANVIL, COMBINATION	8
-	-	-	-	-	-	7
-	-	-	-	-	-	6
1	1	1	-	2-455889-0	DEPRESSOR, SHEAR	5
-	-	-	-	-	-	4
-	-	-	-	-	-	3
-	-	-	-	-	-	2
1	1	1	-	6-456402-1	CRIMPER, WIRE	1

DIMENSIONS: INCHES		TOLERANCES UNLESS OTHERWISE SPECIFIED:		DWG: 06APR2004		REV: R. KNEPPER	
0 PLC	±	1 PLC	±	APVD	NAME	Tyco Electronics	
2 PLC	±	3 PLC	±	Harrisburg, PA 17105-3608			
4 PLC	±	ANGLES		PRODUCT SPEC: SIDE FEED HDM APPLICATOR			
MATERIAL:		FINISH:		WEIGHT:		RESTRICTED TO:	
-		-		-		-	
CUSTOMER DRAWING		SCALE: 3-5		SHEET 1 OF 1		REV A	