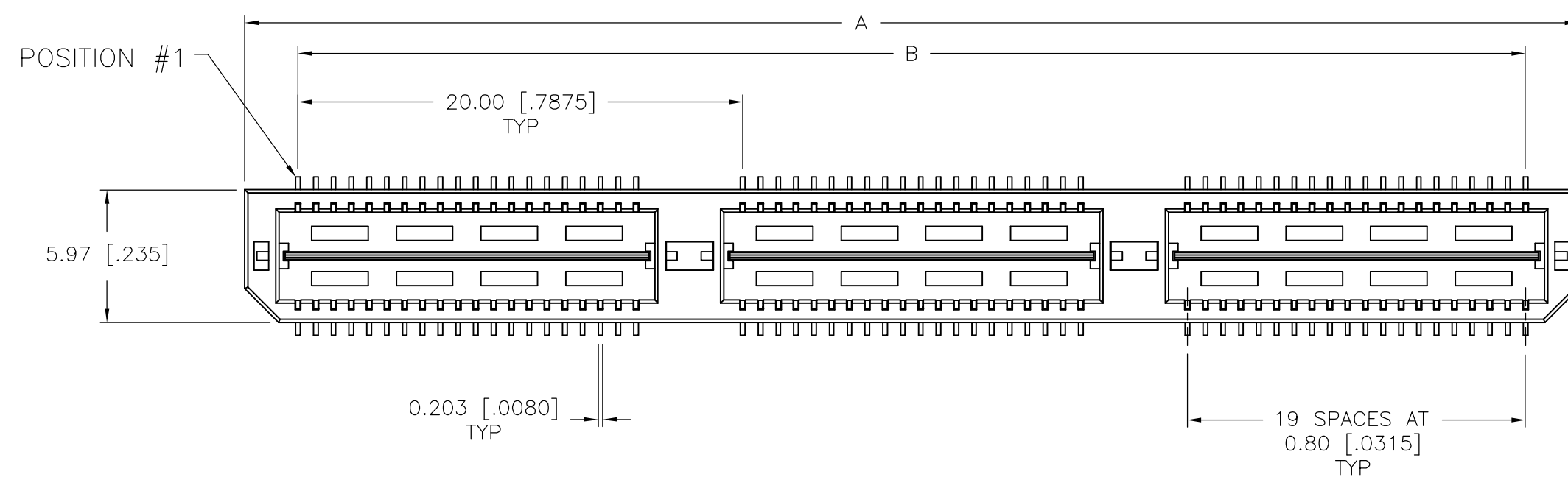
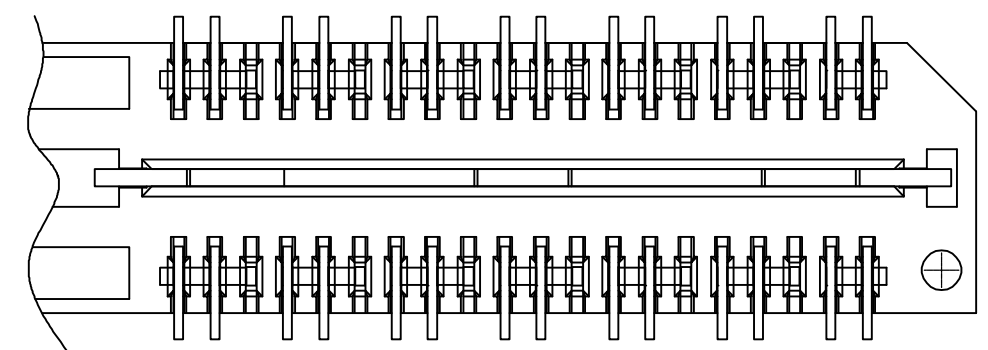
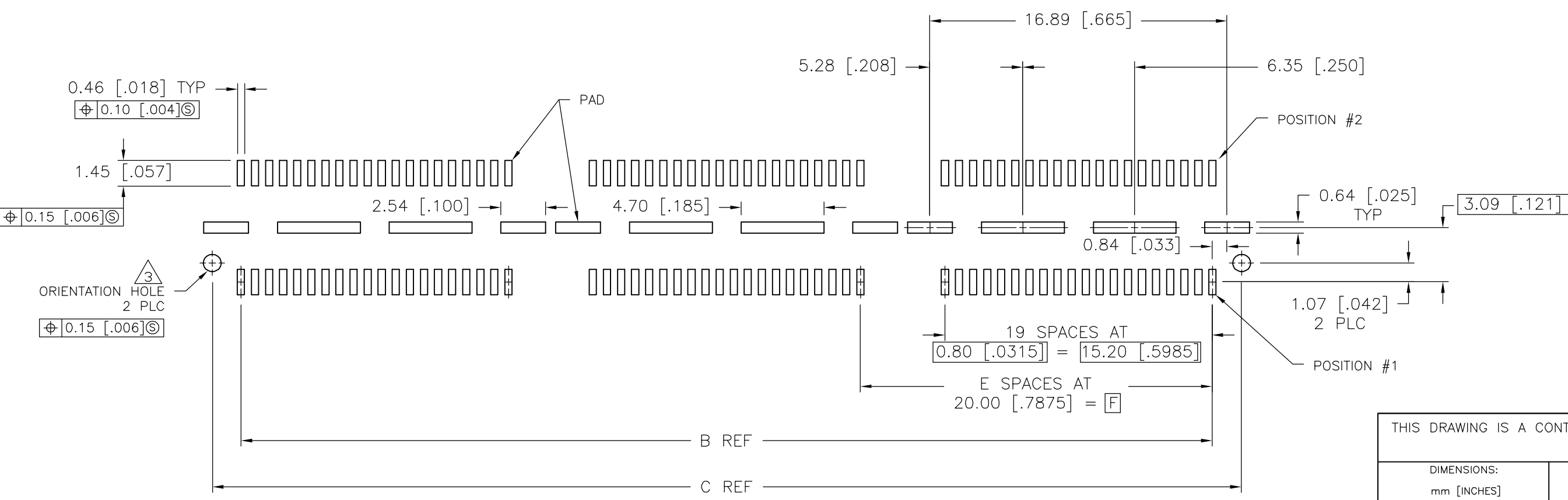
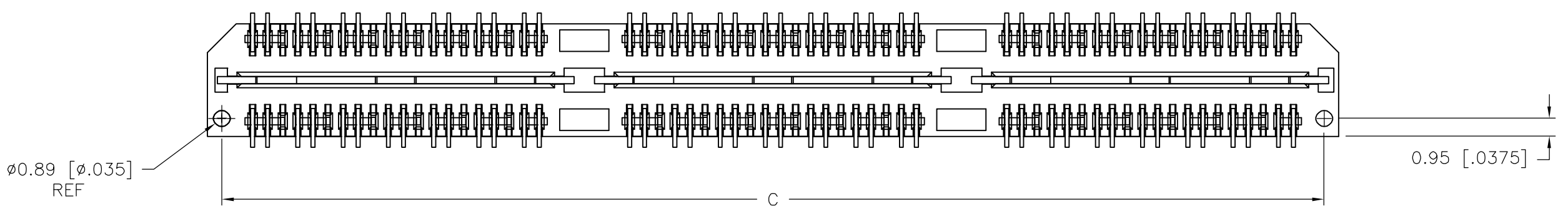
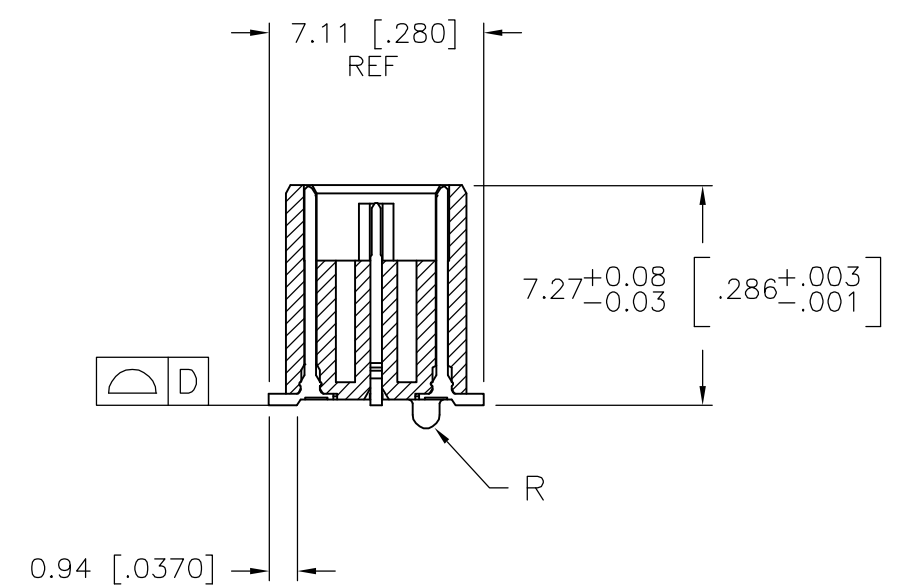
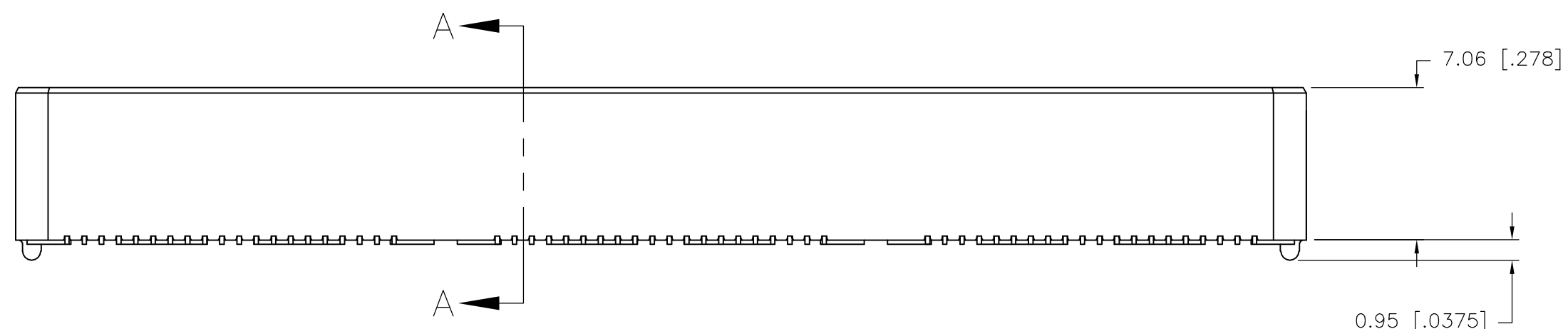


THIS DRAWING IS UNPUBLISHED. RELEASED FOR PUBLICATION
 © COPYRIGHT BY TYCO ELECTRONICS CORPORATION. ALL RIGHTS RESERVED.

| LOC | | DIST | | REVISIONS | | | |
|-----|-----|-----------------------------|---------|-----------|----|--|--|
| P | LTR | DATE | DWN | APVD | | | |
| AD | 00 | | | | | | |
| G | | REVISED PER EC 0512-0273-05 | 19SEP05 | JDP | DD | | |



- 1 HOUSING: LCP, BLACK.
CONTACT & GROUND PLANE: PHOS BRONZE.
- 2 CONTACT PLATING: SELECT 0.76 MICROMETERS (.000030 IN) MIN GOLD.
- 3 FOR STANDARD APPLICATIONS, ORIENTATION HOLE TO BE $\phi 1.02 [\phi .0400]$.

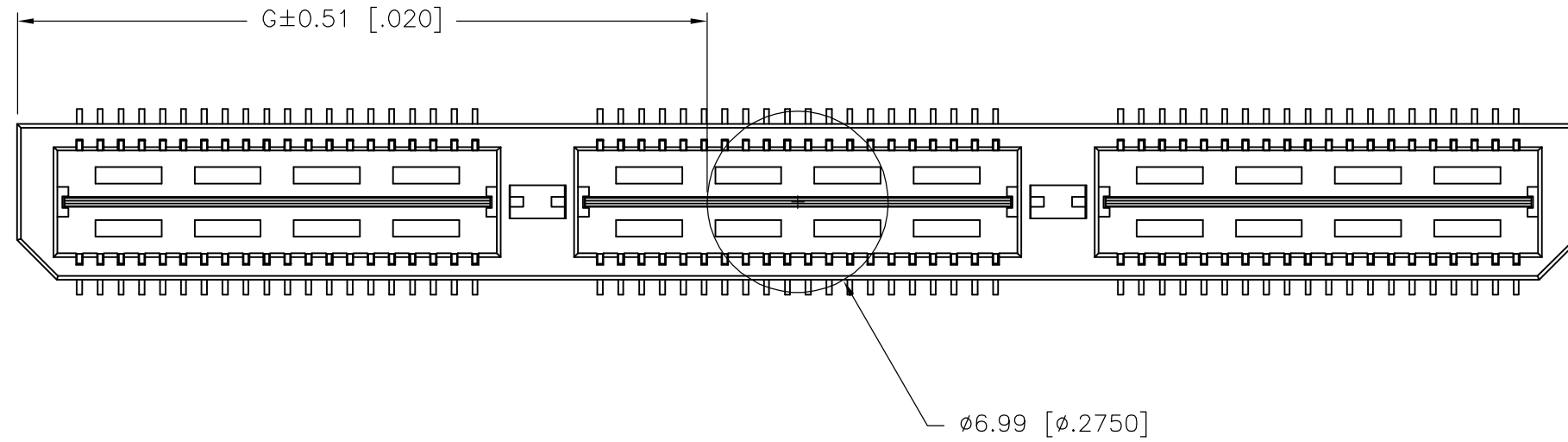


RECOMMENDED PC BOARD LAYOUT
(VIEWED FROM CONNECTOR SIDE)

| | | | | | | |
|--|---------------|------------------|---------|------------------|---|--|
| THIS DRAWING IS A CONTROLLED DOCUMENT. | | DWN | B.CARRO | 27MAY03 | Tyco Electronics Corporation Harrisburg, PA 17105-3608 | |
| DIMENSIONS: | | CHK | D.DIXON | 27MAY03 | | |
| mm [INCHES] | | APVD | D.DIXON | 27MAY03 | | |
| TOLERANCES UNLESS OTHERWISE SPECIFIED: | | PRODUCT SPEC | | | | |
| 0 PLC | ± - | APPLICATION SPEC | | | NAME | HEADER ASSEMBLY, 8.0MM [.315] VERTICAL, 0.80MM CL, MICTOR SB |
| 1 PLC | ± 0.3[.01] | | | | SIZE | A2 |
| 2 PLC | ± 0.13[.005] | | | | CAGE CODE | 00779 |
| 3 PLC | ± 0.05[.0020] | | | | DRAWING NO | C=1658464 |
| 4 PLC | ± - | | | | RESTRICTED TO | - |
| ANGLES | ± 2' | | | | SCALE | 3:1 |
| FINISH | | | | | SHEET | 1 of 2 |
| MATERIAL | | WEIGHT | | | REV | G |
| 1 | | 2 | | CUSTOMER DRAWING | | |

THIS DRAWING IS UNPUBLISHED. RELEASED FOR PUBLICATION
 © COPYRIGHT BY TYCO ELECTRONICS CORPORATION. ALL RIGHTS RESERVED.

| LOC | | DIST | | REVISIONS | | | |
|-----|-----|-------------|------|-----------|------|--|--|
| P | LTR | DESCRIPTION | DATE | DWN | APVD | | |
| | | SEE SHEET 1 | | | | | |



| | | | | | | | | | | | | |
|--------------|--------------|---|--------------|--------------|--------------|---------------|-----|----------------------|----------------|------------|-------------|-------------|
| 26.52(1.044) | 40.00(1.575) | 2 | 0.102(.0040) | 58.50(2.303) | 55.20(2.173) | 60.00(2.362) | YES | POCKET TAPE | YES | 84 | 7-1658464-3 | |
| 16.51(.650) | 20.00(.7874) | 1 | 0.102(.0040) | 38.48(1.515) | 35.20(1.386) | 40.00(1.575) | YES | POCKET TAPE | YES | 56 | 7-1658464-2 | |
| 6.50(.256) | 0(.000) | 0 | 0.102(.0040) | 18.49(.728) | 15.20(.598) | 20.00(.787) | YES | POCKET TAPE | YES | 28 | 7-1658464-1 | |
| 26.52(1.044) | 40.00(1.575) | 2 | 0.102(.0040) | 58.50(2.303) | 55.20(2.173) | 60.00(2.362) | YES | POCKET TAPE | NO | 120 | 6-1658464-3 | |
| 16.51(.650) | 20.00(.7874) | 1 | 0.102(.0040) | 38.48(1.515) | 35.20(1.386) | 40.00(1.575) | YES | POCKET TAPE | NO | 80 | 6-1658464-2 | |
| 6.50(.256) | 0(.000) | 0 | 0.102(.0040) | 18.49(.728) | 15.20(.598) | 20.00(.787) | YES | POCKET TAPE | NO | 40 | 6-1658464-1 | |
| - | 40.00(1.575) | 2 | 0.102(.0040) | 58.50(2.303) | 55.20(2.173) | 60.00(2.362) | NO | POCKET TAPE | YES | 84 | 5-1658464-3 | |
| - | 20.00(.7874) | 1 | 0.102(.0040) | 38.48(1.515) | 35.20(1.386) | 40.00(1.575) | NO | POCKET TAPE | YES | 56 | 5-1658464-2 | |
| - | 0(.000) | 0 | 0.102(.0040) | 18.49(.728) | 15.20(.598) | 20.00(.787) | NO | POCKET TAPE | YES | 28 | 5-1658464-1 | |
| - | 40.00(1.575) | 2 | 0.102(.0040) | 58.50(2.303) | 55.20(2.173) | 60.00(2.362) | NO | POCKET TAPE | NO | 120 | 4-1658464-3 | |
| - | 20.00(.7874) | 1 | 0.102(.0040) | 38.48(1.515) | 35.20(1.386) | 40.00(1.575) | NO | POCKET TAPE | NO | 80 | 4-1658464-2 | |
| - | 0(.000) | 0 | 0.102(.0040) | 18.49(.728) | 15.20(.598) | 20.00(.787) | NO | POCKET TAPE | NO | 40 | 4-1658464-1 | |
| 46.51(1.831) | 80.00(3.150) | 4 | 0.152(.0060) | 98.50(3.748) | 95.20(3.748) | 100.00(3.937) | YES | TRAY | YES | 140 | 3-1658464-5 | |
| 36.53(1.438) | 60.00(2.362) | 3 | 0.152(.0060) | 78.49(3.090) | 75.20(2.961) | 80.00(3.150) | YES | TRAY | YES | 112 | 3-1658464-4 | |
| 26.52(1.044) | 40.00(1.575) | 2 | 0.102(.0040) | 58.50(2.303) | 55.20(2.173) | 60.00(2.362) | YES | TRAY | YES | 84 | 3-1658464-3 | |
| 16.51(.650) | 20.00(.7874) | 1 | 0.102(.0040) | 38.48(1.515) | 35.20(1.386) | 40.00(1.575) | YES | TRAY | YES | 56 | 3-1658464-2 | |
| 6.50(.256) | 0(.000) | 0 | 0.102(.0040) | 18.49(.728) | 15.20(.598) | 20.00(.787) | YES | TRAY | YES | 28 | 3-1658464-1 | |
| 46.51(1.831) | 80.00(3.150) | 4 | 0.152(.0060) | 98.50(3.748) | 95.20(3.748) | 100.00(3.937) | YES | TRAY | NO | 200 | 2-1658464-5 | |
| 36.53(1.438) | 60.00(2.362) | 3 | 0.152(.0060) | 78.49(3.090) | 75.20(2.961) | 80.00(3.150) | YES | TRAY | NO | 160 | 2-1658464-4 | |
| 26.52(1.044) | 40.00(1.575) | 2 | 0.102(.0040) | 58.50(2.303) | 55.20(2.173) | 60.00(2.362) | YES | TRAY | NO | 120 | 2-1658464-3 | |
| 16.51(.650) | 20.00(.7874) | 1 | 0.102(.0040) | 38.48(1.515) | 35.20(1.386) | 40.00(1.575) | YES | TRAY | NO | 80 | 2-1658464-2 | |
| 6.50(.256) | 0(.000) | 0 | 0.102(.0040) | 18.49(.728) | 15.20(.598) | 20.00(.787) | YES | TRAY | NO | 40 | 2-1658464-1 | |
| - | 80.00(3.150) | 4 | 0.152(.0060) | 98.50(3.748) | 95.20(3.748) | 100.00(3.937) | NO | TRAY | YES | 140 | 1-1658464-5 | |
| - | 60.00(2.362) | 3 | 0.152(.0060) | 78.49(3.090) | 75.20(2.961) | 80.00(3.150) | NO | TRAY | YES | 112 | 1-1658464-4 | |
| - | 40.00(1.575) | 2 | 0.102(.0040) | 58.50(2.303) | 55.20(2.173) | 60.00(2.362) | NO | TRAY | YES | 84 | 1-1658464-3 | |
| - | 20.00(.7874) | 1 | 0.102(.0040) | 38.48(1.515) | 35.20(1.386) | 40.00(1.575) | NO | TRAY | YES | 56 | 1-1658464-2 | |
| - | 0(.000) | 0 | 0.102(.0040) | 18.49(.728) | 15.20(.598) | 20.00(.787) | NO | TRAY | YES | 28 | 1-1658464-1 | |
| - | 80.00(3.150) | 4 | 0.152(.0060) | 98.50(3.748) | 95.20(3.748) | 100.00(3.937) | NO | TRAY | NO | 200 | 1658464-5 | |
| - | 60.00(2.362) | 3 | 0.152(.0060) | 78.49(3.090) | 75.20(2.961) | 80.00(3.150) | NO | TRAY | NO | 160 | 1658464-4 | |
| - | 40.00(1.575) | 2 | 0.102(.0040) | 58.50(2.303) | 55.20(2.173) | 60.00(2.362) | NO | TRAY | NO | 120 | 1658464-3 | |
| - | 20.00(.7874) | 1 | 0.102(.0040) | 38.48(1.515) | 35.20(1.386) | 40.00(1.575) | NO | TRAY | NO | 80 | 1658464-2 | |
| - | 0(.000) | 0 | 0.102(.0040) | 18.49(.728) | 15.20(.598) | 20.00(.787) | NO | TRAY | NO | 40 | 1658464-1 | |
| G | F | E | D | C | B | A | | POLYIMIDE FILM PAD ▲ | PACKAGING TYPE | DIFF. PAIR | NO OF POS | PART NUMBER |

THIS DRAWING IS A CONTROLLED DOCUMENT.

DWN B.CARRO 27MAY03
 CHK D.DIXON 27MAY03
 APVD D.DIXON 27MAY03

TOLERANCES UNLESS OTHERWISE SPECIFIED:
 0 PLC ± -
 1 PLC ± 0.3[.01]
 2 PLC ± 0.13[.005]
 3 PLC ± 0.05[.0020]
 4 PLC ± -
 ANGLES ± 2'
 FINISH SEE SHEET 1

tyco Electronics
 Tyco Electronics Corporation
 Harrisburg, PA 17105-3608

NAME: HEADER ASSEMBLY, 8.0MM [.315] VERTICAL, 0.80MM CL, MICTOR SB

SIZE: A2 CAGE CODE: 00779 DRAWING NO: C=1658464 RESTRICTED TO: -

MATERIAL: SEE SHEET 1 WEIGHT: -

CUSTOMER DRAWING SCALE: 3:1 SHEET: 2 of 2 REV: G