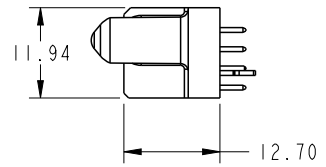
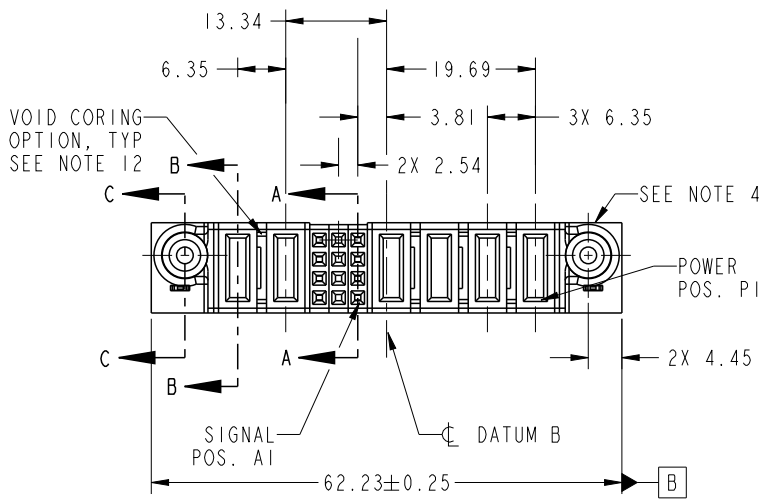


PRODUCT NO.	ROWS	POWER		SIGNAL			POWER					
		E2	P6	P5	3	2	1	P4	P3	P2	P1	E1
51940-466-- NOTE: 3	D C B A		PA	PA	EX	EX	EX	EX	EX	EX	EX	



CODE	DIM "M" MATING LENGTH	CONTACT TYPE
E	[N/A]	SIGNAL
PA	[1.07]	POWER
HA	[N/A]	HOLD-DOWN
X	OMITTED	OMITTED

spec ref	*	dr	Luo Weller	2012/11/12	projection	MM	size	A4	scale	1:1	
tolerance std	TOLERANCES UNLESS OTHERWISE SPECIFIED	eng	Luo Weller	2012/12/20		←→	ecn no	-	rel level		Released
SEE NOTE		chr	-	-			product family	PwrBlade			
surface	linear	0.X	±0.5		title	4P+12S+2P	dwg no	51940-466	rev	A	
		0.XX	±0.25								
	angular	0°	±2°	www.fci.com	cat. no.	*	Product - Customer Drw		sheet 1 of 4		

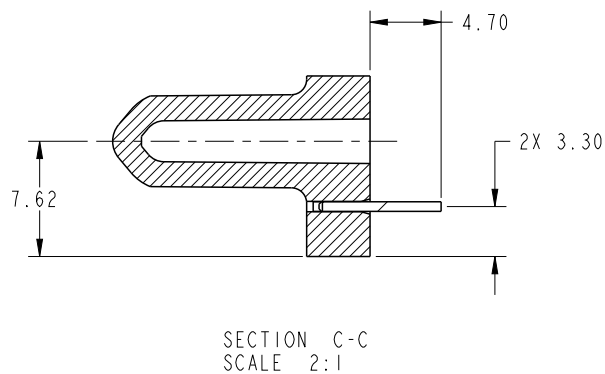
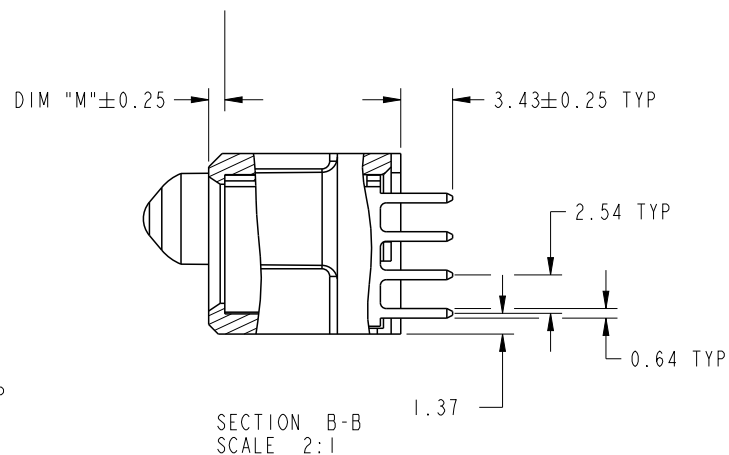
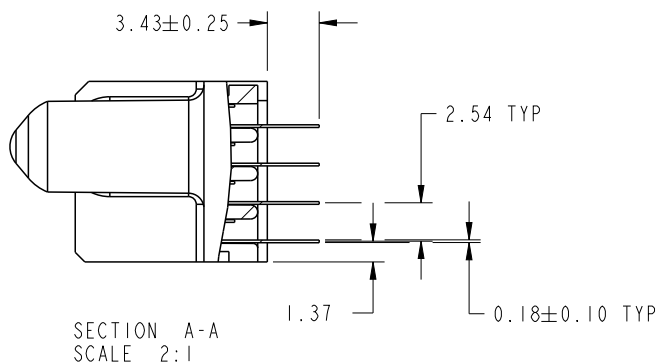
PrdE File - REV C - 2009-06-09



Copyright FCI.

PRODUCT NUMBER

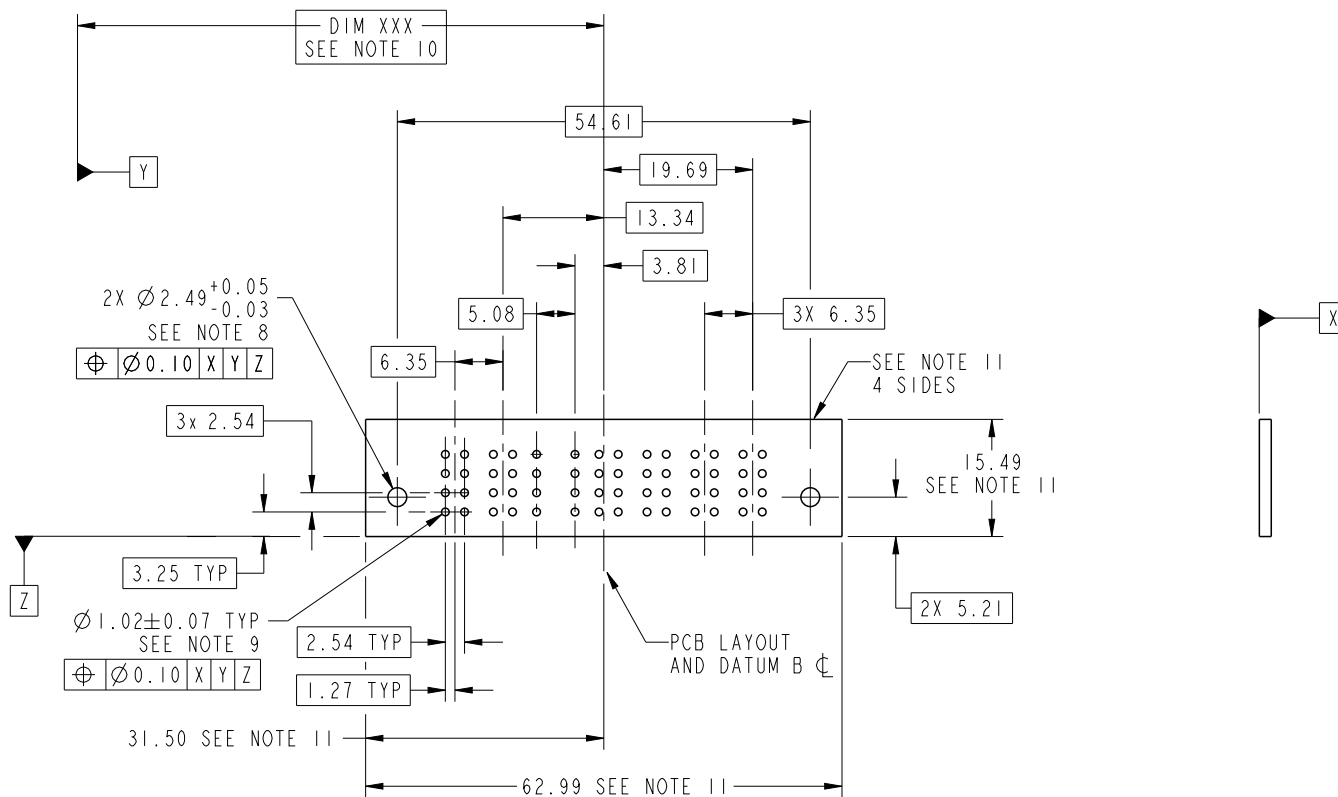
51940-466__
NOTE: 3



dr	Luo Weller	2012/11/12	projection 	MM 	size	A4	scale	1:1
eng	Luo Weller	2012/12/20			ecn no	-		
chr	-	-			rel level	Released		
appr	Pei-Ming Zheng	2012/12/20	product family	PwrBlade	rev	A		
	title	4P+12S+2P VERTICAL SOLDER RECEIPT		dwg no	51940-466			
www.fci.com	cat. no.	*	Product - Customer Drw		sheet 2 of 4			

PRODUCT NUMBER

51940-466__
NOTE: 3



RECOMMENDED PCB LAYOUT

dr	Luo Weller	2012/11/12	projection 	MM 	size	A4	scale	1:1
eng	Luo Weller	2012/12/20			ecn no	-		
chr	-	-			rel level	Released		
appr	Pei-Ming Zheng	2012/12/20	product family	PwrBlade	rev	A		
	title	4P+12S+2P VERTICAL SOLDER RECEPT		dwg no	51940-466			
www.fci.com	cat. no.	*	Product - Customer Drw		sheet 3 of 4			

PRODUCT NUMBER

51940-466__
NOTE: 3

NOTES:

1. DIMENSIONS AND TOLERANCES ARE IN ACCORDANCE WITH ASME Y14.5M, 1994 UNLESS OTHERWISE SPECIFIED.

CONNECTOR NOTES:

2 HOUSING MATERIAL: UL 94 V-0 GLASS FILLED HIGH-TEMP THERMOPLASTIC
POWER CONTACT MATERIAL: COPPER ALLOY
SIGNAL PIN MATERIAL: COPPER ALLOY

3. SEE ITEM 5 & 6 IN PRINT 10064183 FOR PLATING SPEC OF 51940-466 AND 51940-466LF RESPECTIVELY.

4 MANUFACTURER'S NAME, DATE CODE AND OPTIONAL P/N TO APPEAR ON THIS SURFACE. THE MARK CAN BE OMITTED IF THERE IS NOT ENOUGH SPACE ON THIS SURFACE.

5. PRODUCT SPECIFICATION GS-12-149.
APPLICATION SPECIFICATION BUS-20-067.

6. PACKAGED IN TRAYS.

PCB NOTES:

7. ALL HOLE DIAMETERS ARE FINISHED HOLE SIZE.

8 MOUNTING HOLES.

9 $\varnothing 1.151 \pm 0.025$ DRILLED HOLES PLATED WITH
0.008 MIN SnPb OR Sn OVER 0.03
TO 0.08 Cu PLATING TO ACHIEVE
 $\varnothing 1.02 \pm 0.07$ HOLE.

10 "DIM XXX" TO BE DETERMINED BY THE CUSTOMER.

11 CONNECTOR KEEP-OUT ZONE.

12. THE VOID CORING IN BETWEEN POWER MODULES, SIGNAL MODULES AND END MODULES ARE OPTIONAL AND THE SHAPE MAY BE DIFFERENT FOR OPTIMIZE THE MOLDING PROCESS. THE VOID CORING WILL NOT EFFECT TO PRODUCT FUNCTION.



Copyright FCI.

dr	Luo Weller	2012/11/12	projection 	MM 	size	A4	scale	1:1	
eng	Luo Weller	2012/12/20			ecn no	-			
chr	-	-							
appr	Pei-Ming Zheng	2012/12/20	product family	PwrBlade	rel level	Released			
	title	4P+12S+2P VERTICAL SOLDER RECEPT			dwg no	51940-466		rev	A
www.fci.com	cat. no.	*	Product - Customer Drw			sheet 4 of 4			