

4

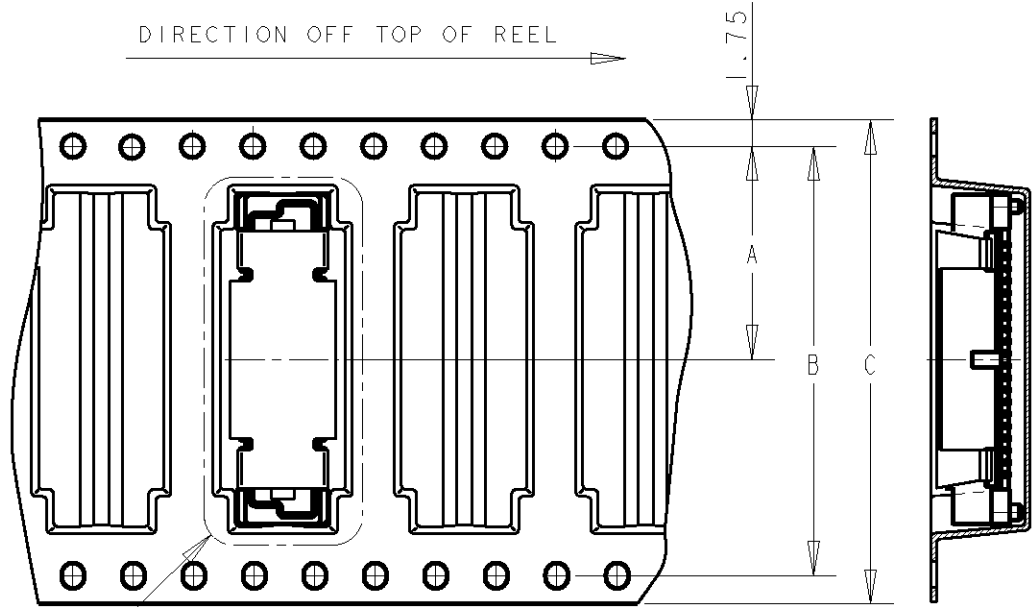
3

2

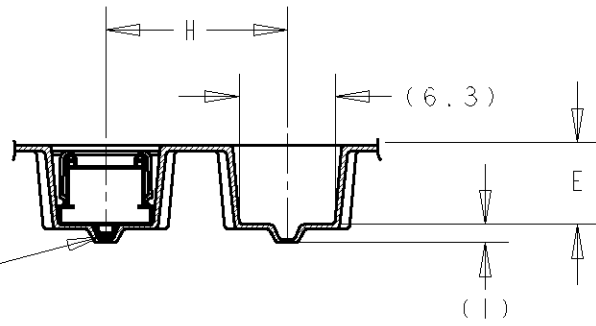
1

THIS DRAWING IS UNPUBLISHED. RELEASED FOR PUBLICATION .19
 © COPYRIGHT 19 BY AMP INCORPORATED. ALL RIGHTS RESERVED.

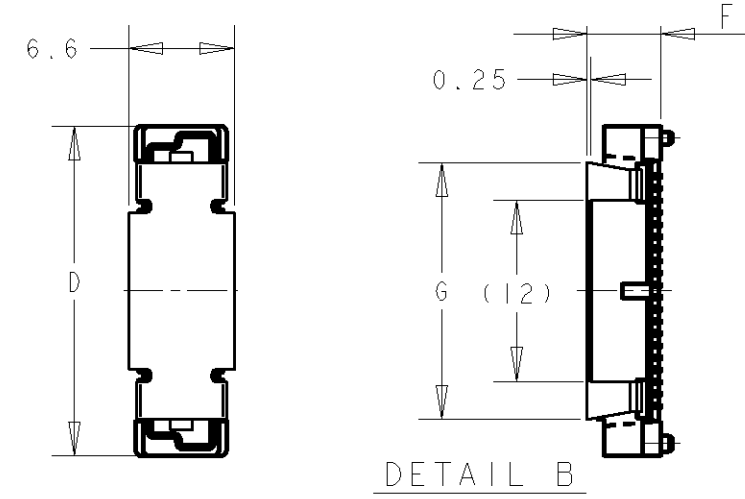
LOC	DIST	REVISIONS					
DY	-	P	LTR	DESCRIPTION	DATE	DWN	APVD
		A		REVISED PER ECR-06-007464	23MAR06	SYJ	LSF



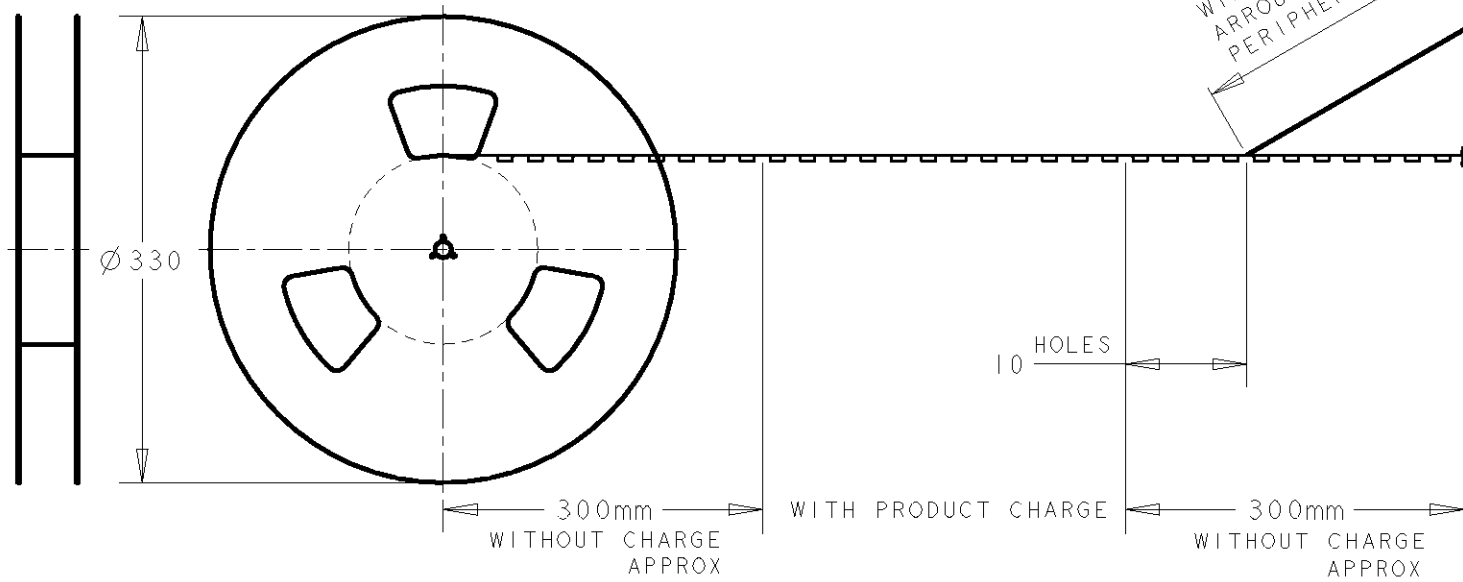
DETAIL B



WINDING THE COVER TAPE
 AROUND THE OUTER
 PERIPHERY IN A TURN.



DETAIL B



AVAILABLE											85.8			200	1-	-0	1-	-0
											77.8	104	100.4	50.2	180		-9	
										69.8				160		-8		-8
										61.8	88	84.4	42.2	140		-6		-6
										53.8				120		-5		-5
	400		16							45.8	72	68.4	34.2	100		-4		-4
										37.8	56	52.4	26.2	80		-3		-3
										29.8	44	40.4	20.2	60		-2		-2
TOOLING STATUS	POS	HEIGHT TYPE	H	G	F	E	D	C	B	A	POS	CONN P/N	PART NO.					
	600	8H	12	17	7.85	8.6	21.8	32	28.4	14.2	40	6123002-1	6123001-1					

THIS DRAWING IS A CONTROLLED DOCUMENT FOR AMP INCORPORATED. IT IS SUBJECT TO CHANGE AND THE CONTROLLING ENGINEERING ORGANIZATION SHOULD BE CONTACTED FOR THE LATEST REVISION.

DIMS: mm		TOLERANCES UNLESS OTHERWISE SPECIFIED:		DWN WYLEE 27OCT04		tyco Tyco Electronics	
		0 PLC ±	1 PLC ±0.2	CHK VINCENT TAN		Electronics Singapore Pte. Ltd.	
MATERIAL -		2 PLC ±0.25	3 PLC ±0.30	APVD ERIC TNG		NAME	
FINISH -		4 PLC ±	ANGLES ±3°	PRODUCT SPEC 108-5390		EMBOSS ASSY	
CUSTOMER DRAWING		WEIGHT -		APPLICATION SPEC -		FOR FH 0.8BTB CONNECTOR PLUG 8H	
				SIZE A3		CAGE CODE 00779	
				DRAWING NO		SCALE 2:1	
				SHEET 1 OF 1		REV A	