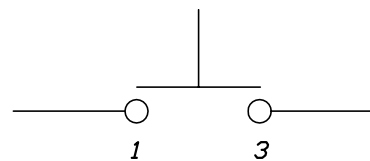
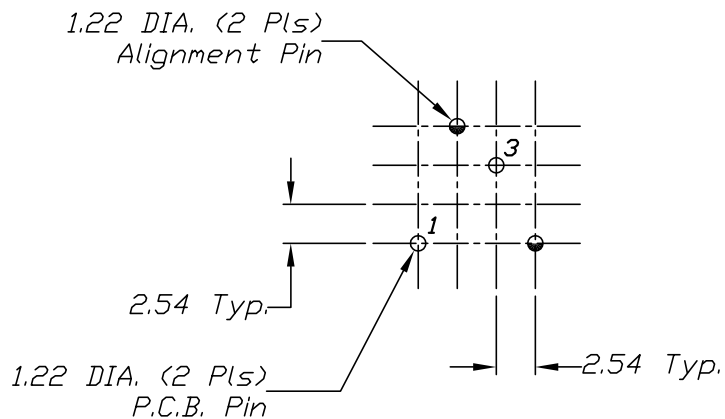


NOTES:

1. ALL DIMENSIONS IN MM
2. GENERAL TOLERANCE: 0.0=±0.4
0.00=±0.25
3. TERM. NOS. FOR REF. ONLY
4. RATING: 25mA, @50V DC
5. ELECTRICAL LIFE: 1,000,000 CYCLES TYP.
6. CONTACT RESISTANCE: 10 MILLI-OHMS, MAX @ 2-4 VDC, 100mA
7. OPERATING FORCE: 120gf
8. TERMINALS TO BE GOLD PLATED



CIRCUIT: SPST
CONTACT CONFIGURATION



RECOMMEND P.C.B. LAYOUT

E-SWITCH®

B	13901	ADD NOTES	4/7/04	AR
A	10546	RELEASED FOR PRODUCTION	2/25/00	MM
REV.	ECN No.	DESCRIPTION	DATE	CHK'D

TITLE				
330.01 E1-1 BLK. (Gold Plated Contacts)				
SCALE	DATE	DR	DWG	REV
2:1	2/25/00	MM	XB0001P	B

THE INFORMATION CONTAINED IN THIS DOCUMENT IS PROPRIETARY TO E-SWITCH AND IS NOT TO BE COPIED OR TRANSFERRED