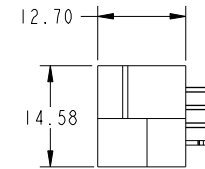
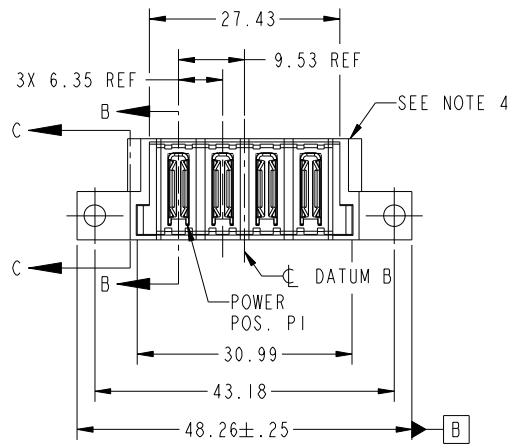
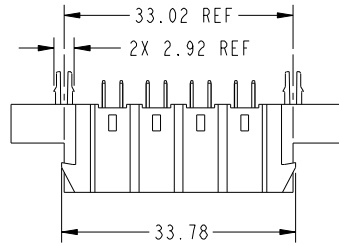


Tous droits strictement reserves. Reproduction ou communication a des tiers interdite sous quelque forme que ce soit sans autorisation écrite du propriétaire. Propriete de c FCI. Droits de reproduction FCI.



All rights strictly reserved. Reproduction or issue to third parties in any form whatever is not permitted without written authority from the proprietor. Property of FCI. Copyright FCI.

|                                    |       |    |    |    |    |    |
|------------------------------------|-------|----|----|----|----|----|
| PRODUCT NO.<br>51963-023<br>NOTE ③ | POWER |    |    |    |    |    |
|                                    | E1    | P1 | P2 | P3 | P4 | E2 |
|                                    | HA    | PA | PA | PA | PA | HA |



| CODE | DIM "M" MATING LENGTH | CONTACT TYPE |
|------|-----------------------|--------------|
| PA   | [N/A]                 | POWER        |
| HA   | [N/A]                 | HOLD-DOWN    |

|             |                |     |          |                                       |                      |            |  |                        |  |
|-------------|----------------|-----|----------|---------------------------------------|----------------------|------------|--|------------------------|--|
| mat'l code  |                |     |          | tolerances unless otherwise specified |                      | CUSTOMER   |  | FCI                    |  |
| ltr         | ecn no.        | dr  | date     | linear                                | 0.X ± 0.3            | COPY       |  | www.fciconnect.com     |  |
| A           | DG07-0315      | JMG | 07/23/07 | angles                                | 0.XX ± 0.13          | projection |  | title                  |  |
|             |                |     |          |                                       | 0.XXX ± 0.051        | MIM        |  | 4P                     |  |
|             |                |     |          | dr                                    | 0° ± 2°              | scale      |  | VERTICAL SOLDER HEADER |  |
|             |                |     |          | enr                                   | JM Guo 07/23/07      | 1:1        |  | product family         |  |
|             |                |     |          | chr                                   | Jerome Chen 07/23/07 | A          |  | PwrBlade               |  |
|             |                |     |          | appd                                  | Gary Hsieh 07/23/07  |            |  | code                   |  |
|             |                |     |          |                                       | Joseph Hsia 07/23/07 |            |  | 213                    |  |
| sheet index | revision sheet | A   | A        | A                                     |                      |            |  | size                   |  |
| 1           | 2              | 3   |          |                                       |                      |            |  | dwg no                 |  |
|             |                |     |          |                                       |                      |            |  | 51963-023              |  |
|             |                |     |          |                                       |                      |            |  | sheet                  |  |
|             |                |     |          |                                       |                      |            |  | 1 of 3                 |  |

cage code 22526

Pro/E

Tous droits strictement reserves. Reproduction ou communication a des tiers interdite sous quelque forme que ce soit sans autorisation écrite du propriétaire. Propriete de c FCI. Droits de reproduction FCI.

All rights strictly reserved. Reproduction or issue to third parties in any form whatever is not permitted without written authority from the proprietor. Property of FCI. Copyright FCI.

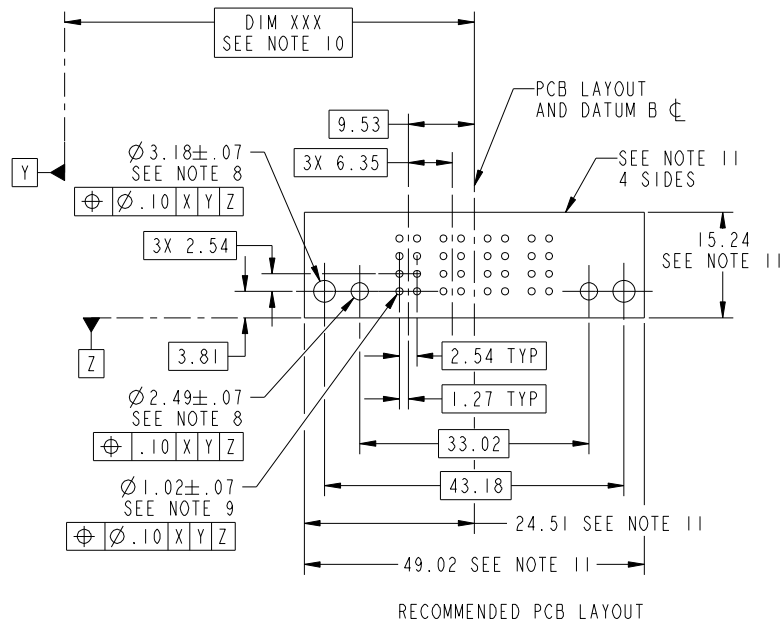
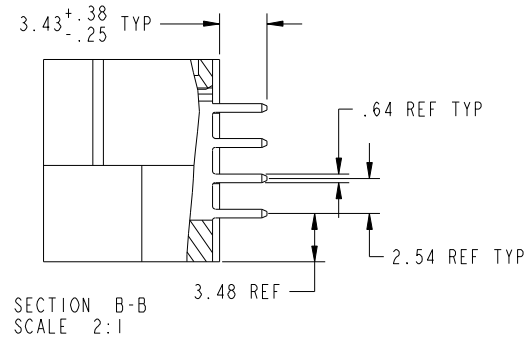
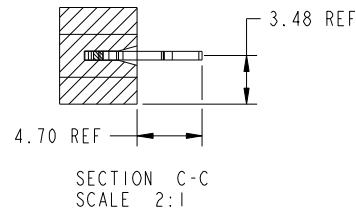


PRODUCT NUMBER  
51963-023--  
NOTE 3

1 | 2

3 |

4



|             |         |                |      |                                       |                      |            |  |                              |  |
|-------------|---------|----------------|------|---------------------------------------|----------------------|------------|--|------------------------------|--|
| mat'l code  |         |                |      | tolerances unless otherwise specified |                      | CUSTOMER   |  |                              |  |
| ltr         | ecn no. | dr             | date | linear                                | 0.X ± 0.3            | COPY       |  | www.fciconnect.com           |  |
| A           |         |                |      | linear                                | 0.XX ± 0.13          | projection |  | title                        |  |
|             |         |                |      | angles                                | 0.XXX ± 0.051        |            |  | 4P<br>VERTICAL SOLDER HEADER |  |
|             |         |                |      | dr                                    | 0° ± 2°              | MIM        |  | product family PwrBlade code |  |
|             |         |                |      | enr                                   | JM Guo 07/23/07      | scale      |  | size                         |  |
|             |         |                |      | enr                                   | Jerome Chen 07/23/07 | 1:1        |  | dwg no                       |  |
|             |         |                |      | chr                                   | Gary Hsieh 07/23/07  | A          |  | 51963-023                    |  |
|             |         |                |      | appd                                  | Joseph Hsia 07/23/07 |            |  | sheet                        |  |
| sheet index |         | revision sheet |      |                                       |                      |            |  | 2 of 3                       |  |

cage code 22526

Pro/E

3 |

4

Tous droits strictement reserves. Reproduction ou communication a des tiers interdite sous quelque forme que ce soit sans autorisation écrite du propriétaire. Propriete de c FCI. Droits de reproduction FCI.



All rights strictly reserved. Reproduction or issue to third parties in any form whatever is not permitted without written authority from the proprietor. Property of FCI. Copyright FCI.

PRODUCT NUMBER  
51963-023--  
NOTE 3

NOTES:

1. DIMENSIONS AND TOLERANCES ARE IN ACCORDANCE WITH ASME Y14.5M, 1994 UNLESS OTHERWISE SPECIFIED.

CONNECTOR NOTES:

- 2 HOUSING MATERIAL: UL 94 V-0 GLASS FILLED  
HIGH-TEMP THERMOPLASTIC  
POWER CONTACT MATERIAL: COPPER ALLOY  
SIGNAL PIN MATERIAL: COPPER ALLOY
  - 3. PLATING:  
51963-023 ,51963-023LF PLATING SPEC. WAS SHOWN IN THE PRINT OF 10064183.
  - 4 MANUFACTURER'S NAME, P/N, AND DATE CODE TO APPEAR ON THIS SURFACE.
  - 5. PRODUCT SPECIFICATION GS-12-149.  
APPLICATION SPECIFICATION BUS-20-067.
  - 6. PACKAGED IN TRAYS.
- PCB NOTES:
- 7. ALL HOLE DIAMETERS ARE FINISHED HOLE SIZE.
  - 8. MOUNTING HOLES, WHERE APPLICABLE, ARE UNPLATED.
  - 9  $\varnothing 1.151 \pm 0.025$  DRILLED HOLES PLATED WITH  
0.008 MIN SnPb OR Sn OVER .001 [0.03]  
TO 0.08 Cu PLATING TO ACHIEVE  
 $\varnothing 1.02 \pm .07$  HOLE.
  - 10 "DIM XXX" TO BE DETERMINED BY THE CUSTOMER.
  - 11 CONNECTOR KEEP-OUT ZONE.

|             |                |    |      |                                       |                      |            |  |                              |          |
|-------------|----------------|----|------|---------------------------------------|----------------------|------------|--|------------------------------|----------|
| mat'l code  |                |    |      | tolerances unless otherwise specified |                      | CUSTOMER   |  |                              |          |
| ltr         | ecn no.        | dr | date | linear                                | 0.X ± 0.3            | COPY       |  | www.fciconnect.com           |          |
| A           |                |    |      |                                       | 0.XX ± 0.13          | projection |  | title                        |          |
|             |                |    |      |                                       | 0.XXX ± 0.050        |            |  | 4P<br>VERTICAL SOLDER HEADER |          |
|             |                |    |      | angles                                | 0° ± 2°              | MIM        |  | product family               | PwrBlade |
|             |                |    |      | dr                                    | JM Guo 07/23/07      | scale      |  | size                         | code     |
|             |                |    |      | enr                                   | Jerome Chen 07/23/07 | 1:1        |  | dwg no                       | 213      |
|             |                |    |      | chr                                   | Gary Hsieh 07/23/07  | A          |  | 51963-023                    | sheet    |
|             |                |    |      | appd                                  | Joseph Hsia 07/23/07 |            |  | 3 of 3                       |          |
| sheet index | revision sheet |    |      |                                       |                      |            |  |                              |          |

cage code 22526

Pro/E