

HALOGEN FREE

REV.	EC#	DESCRIPTION	DATE	DRAWN	CHECKED	APPROVED
X1	SZECR15082	NEW RELEASE PER PR15032	04/06/15'	AVEN	ROGER	ROGER
X2	SZECR15082-01	△X6, AX6	06/16/15'	AVEN	ROGER	ROGER
X3	SZECR15082-02	△X1, AX1	07/09/15'	Raymond	ROGER	

TABLE A: PRODUCT NUMBERING CODE
PRODUCT NUMBERING CODE

C-BR27 - A K X X
① ② ③ ④ ⑤

1.CONNECTOR TYPE:
BR27 : USB TYPE- C FULL FEATURE CONN
RECEPTACLE - MID MOUNT TYPE

2.NO. OF POSITION:
A: 24 POSITIONS.

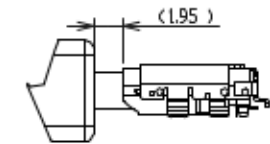
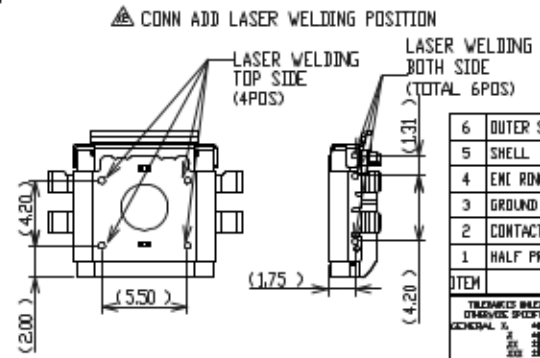
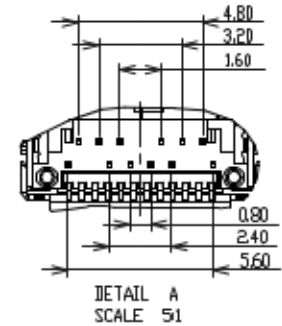
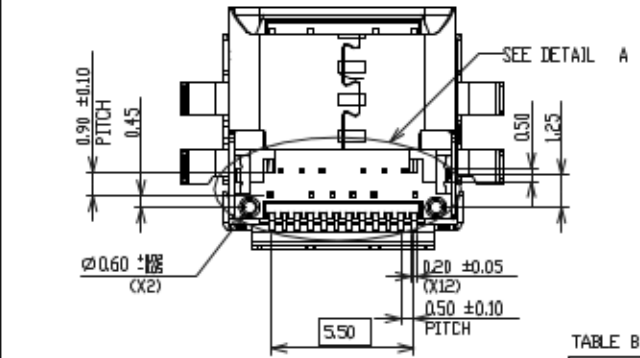
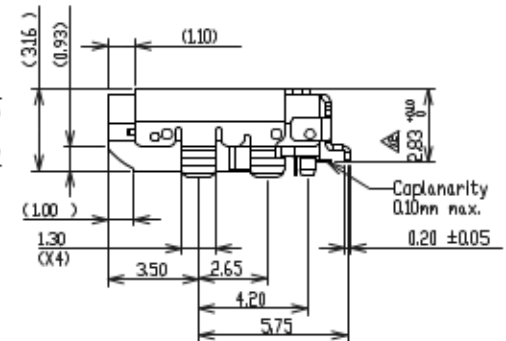
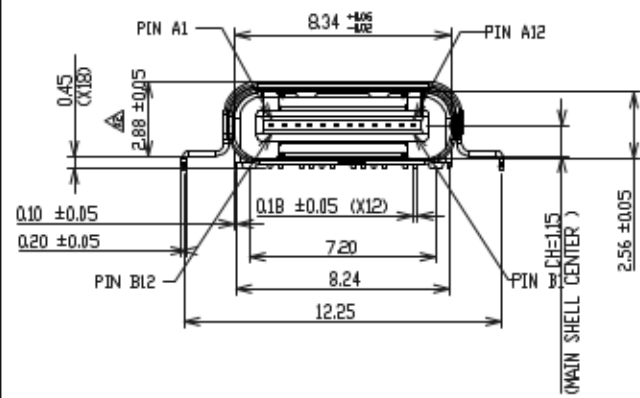
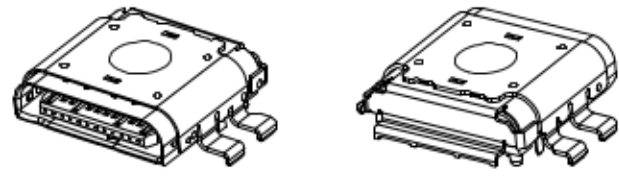
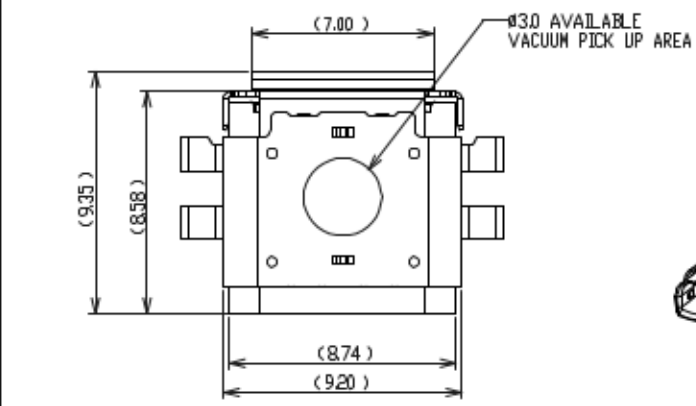
3.COLOR OF INSULATOR:
K: BLACK.

4.PLATING OF CONTACT:
1: GOLD FLASH ON CONTACT AREA
5: Au 30u" PLATING ON CONTACT AREA.

5.PLATING OF FRONT SHELL

△3 SOLDERING NICKEL

<DESIGNED TO MEET USB TYPE C SPECIFICATION>



PLUG MATING REF

ITEM	NAME	QTY	PART #	MATERIAL / FINISH
6	OUTER SHELL	1	S- BR27-2XXXX	METAL / NI PLATED
5	SHELL	1	S- BR27-1XXXX	METAL / NI PLATED
4	ENC RING	2	H- BR20-XXXXX	METAL / NI PLATED
3	GROUND PLATE	1	H- BR27-6XXXX	METAL / NI PLATED
2	CONTACT	24	T- BR27-XXXXX	COPPER ALLOY / Au PLATED
1	HALF PRODUCT	2	BR27-XXXXXX	HI-TEMP. GF. UL94V-0

DATE	BY	DATE	BY
04/06/15'	AVEN	04/06/15'	AVEN
04/06/15'	ROGER	04/06/15'	ROGER
04/06/15'	ROGER	04/06/15'	ROGER

CnC Tech, LLC

USB Type-C 3.1 (10Gbps) Conn. RECEPTACLE - MID MOUNT TYPE CHAIN

SCALE 5:1

SHEET 1 OF 2

UNIT MM

C-BR27-AK53

SERIES BR27 SERIES SIZE A3

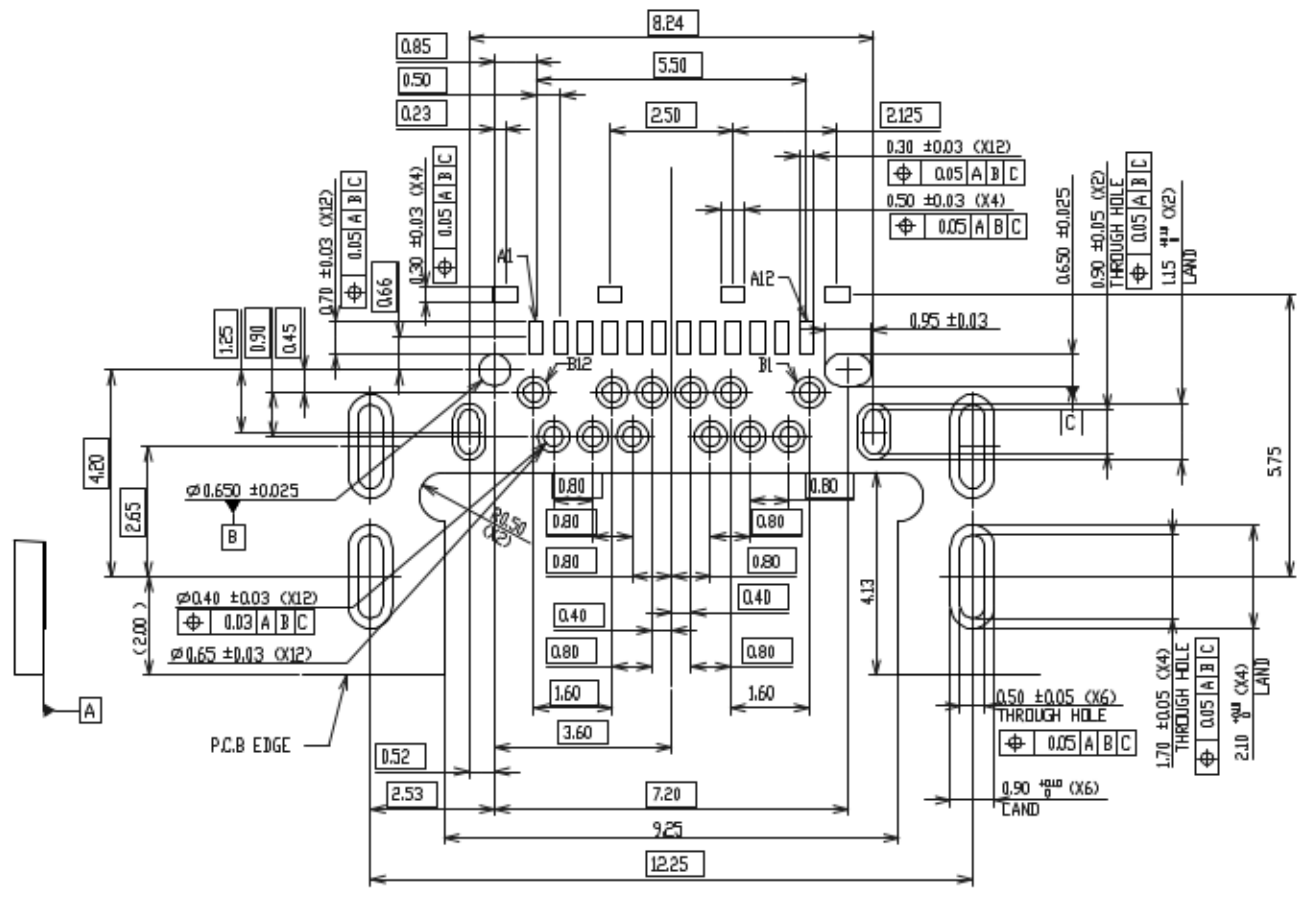
PWD NO. C- BR27-00-00 REV. X3

TABLE B:

PIN NO.	A1	A2	A3	A4	A5	A6	A7	A8	A9	A10	A11	A12
SIGNAL NAME	GND	SSTXp1	SSTXn1	VBUS	CC1	Dp1	Dn1	SBUS1	VBUS	SSRXn2	SSRXp2	GND
PIN NO.	B12	B11	B10	B9	B8	B7	B6	B5	B4	B3	B2	B1
SIGNAL NAME	GND	SSRXp1	SSRXn1	VBUS	SBUS2	Dn1	Dp1	CC2	VBUS	SSTXn2	SSTXp2	GND

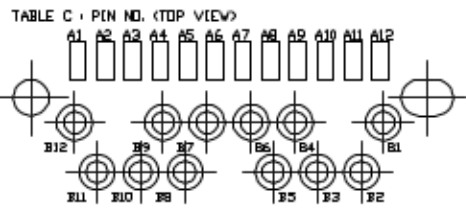
1 2 3 4 5 6 7 8

HALOGEN FREE



RECOMMENDED PCB LAYOUT
THICKNESS IS 0.7mm
TOLERANCE ± 0.05

- NOTES:
- 1.0. ELECTRICAL CHARACTERISTICS:
 - 1.1. LOW LEVEL CONTACT RESISTANCE:
INITIAL 40m Ω FOR ALL CONTACT MAX.
AFTER 10m Ω MAX. CHANGE.
 - 1.2. DIELECTRIC WITHSTANDING VOLTAGE:
100 VAC FOR 1 MINUTE SEA LEVEL.
 - 1.3. INSULATION RESISTANCE:
100M
 - 1.4. CURRENT RATING:
VBUS AND GND CONTACTS RATED AT 1.25A EA.,
PARALLELED FOR A TOTAL OF 5A.
 - 2.0. MECHANICAL CHARACTERISTICS:
 - 2.1. INSERTION FORCE: 20N MAX
 - 2.2. EXTRACTION FORCE:
DURABILITY 1-1000 CYCLES 8N MIN. 20 N MAX.
DURABILITY 1001-1000 CYCLES 6N MIN. 20 N MAX.
 - 2.3. DURABILITY: 10,000 CYCLES
 - 3.0. OPERATING TEMPERATURE: -40°C TO +85°



DESIGNED UNLESS OTHERWISE SPECIFIED	DRAWN	DATE	CnC Tech, LLC
GENERAL	AVEN	14/06/13	
DESIGN	AVEN	14/06/15	USB Type-C 3.1 (10Gbps) Conn. RECEPTACLE - MDM MOUNT TYPE
CHECKED	ROGER	14/06/13	
APPROVED	ROGER	14/06/15	SERIES BR27 SERIES
UNIT	MM		
C-BR27-AK53			REV. A3
			REV. X3