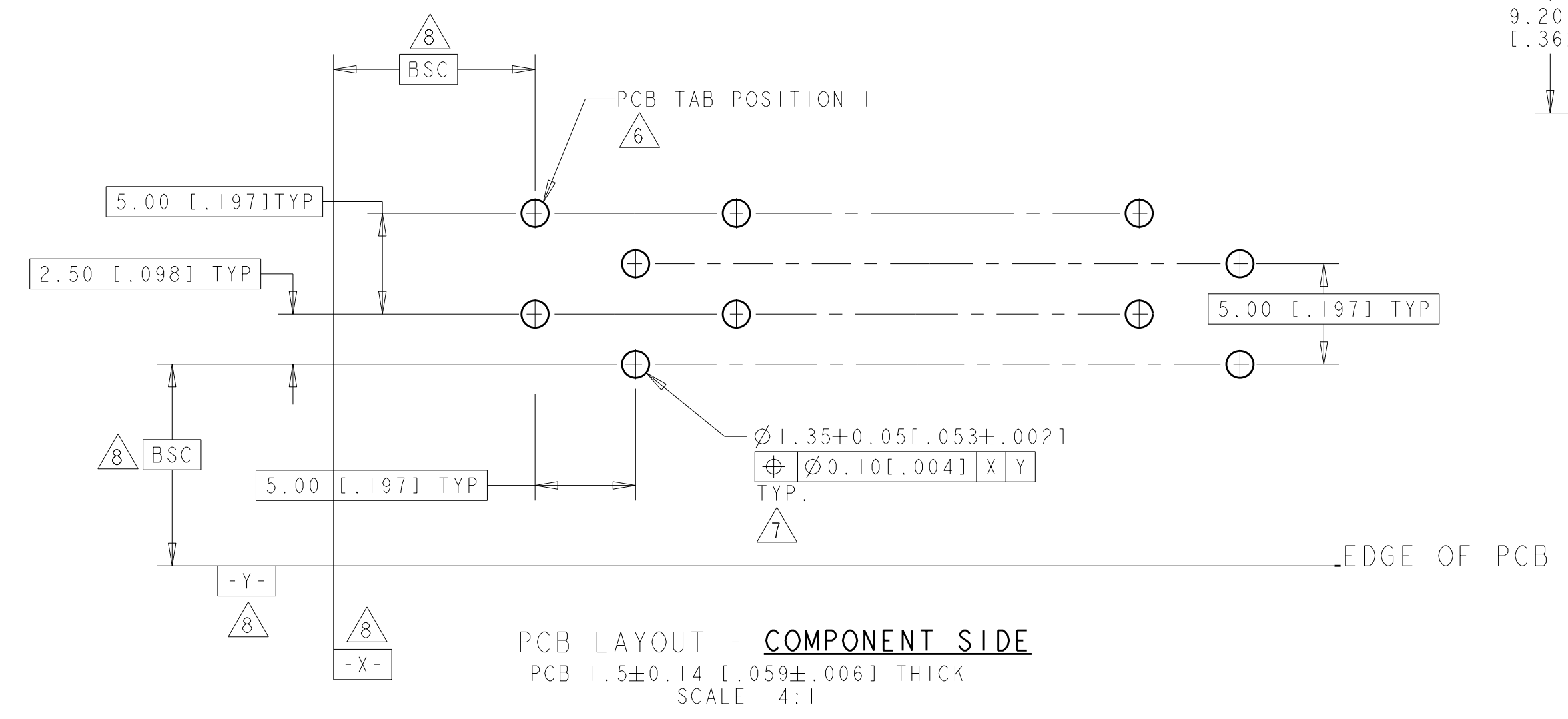
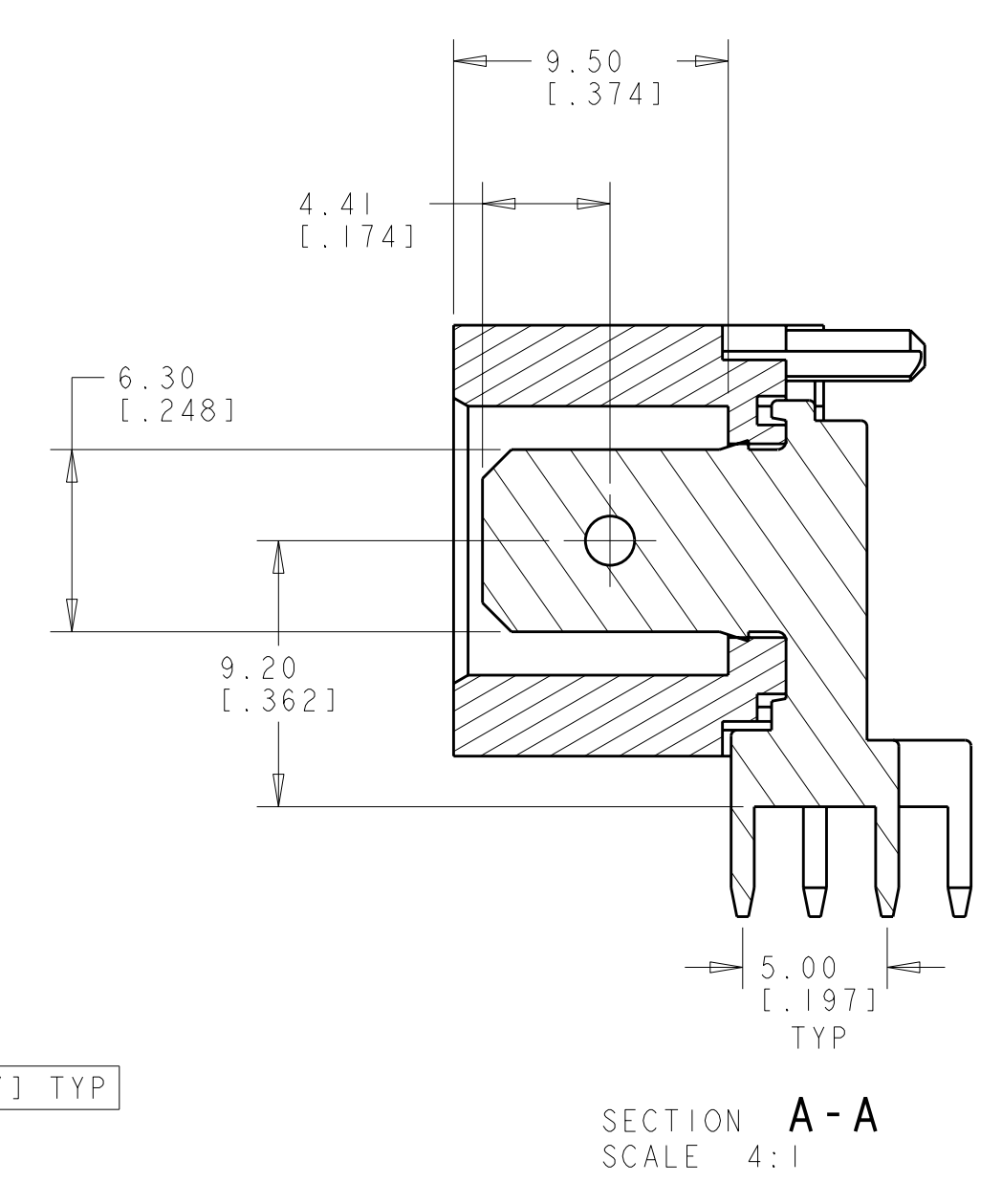
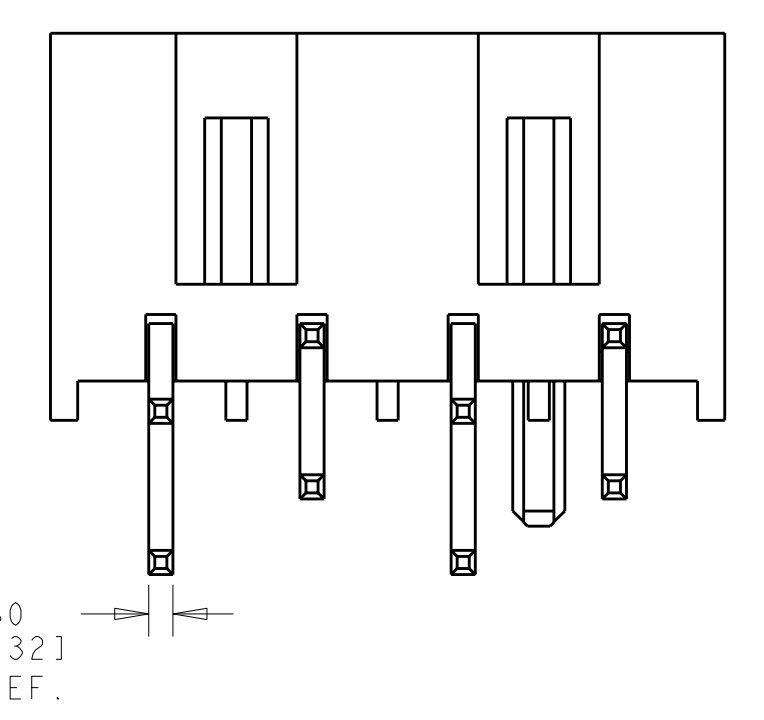
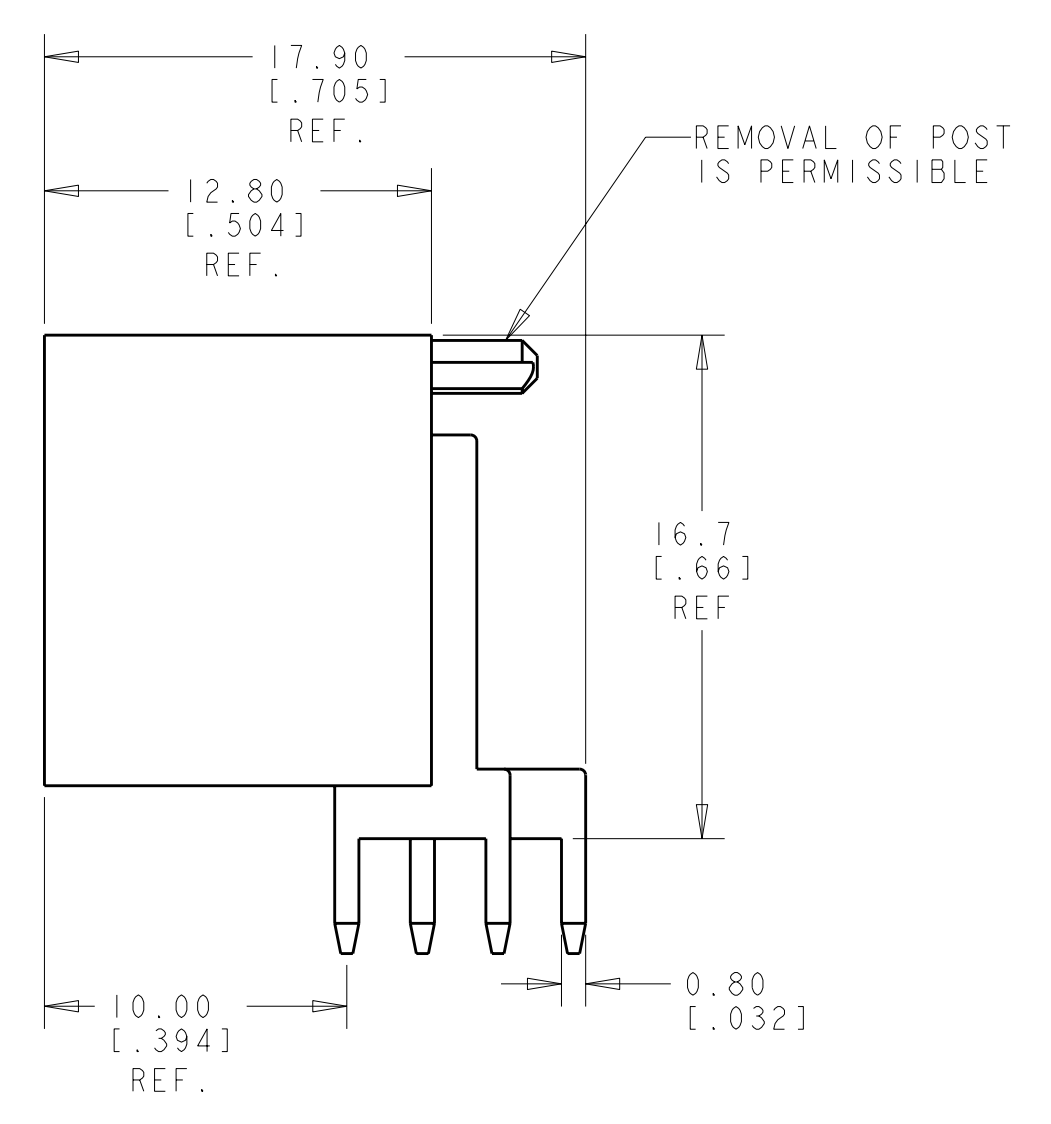
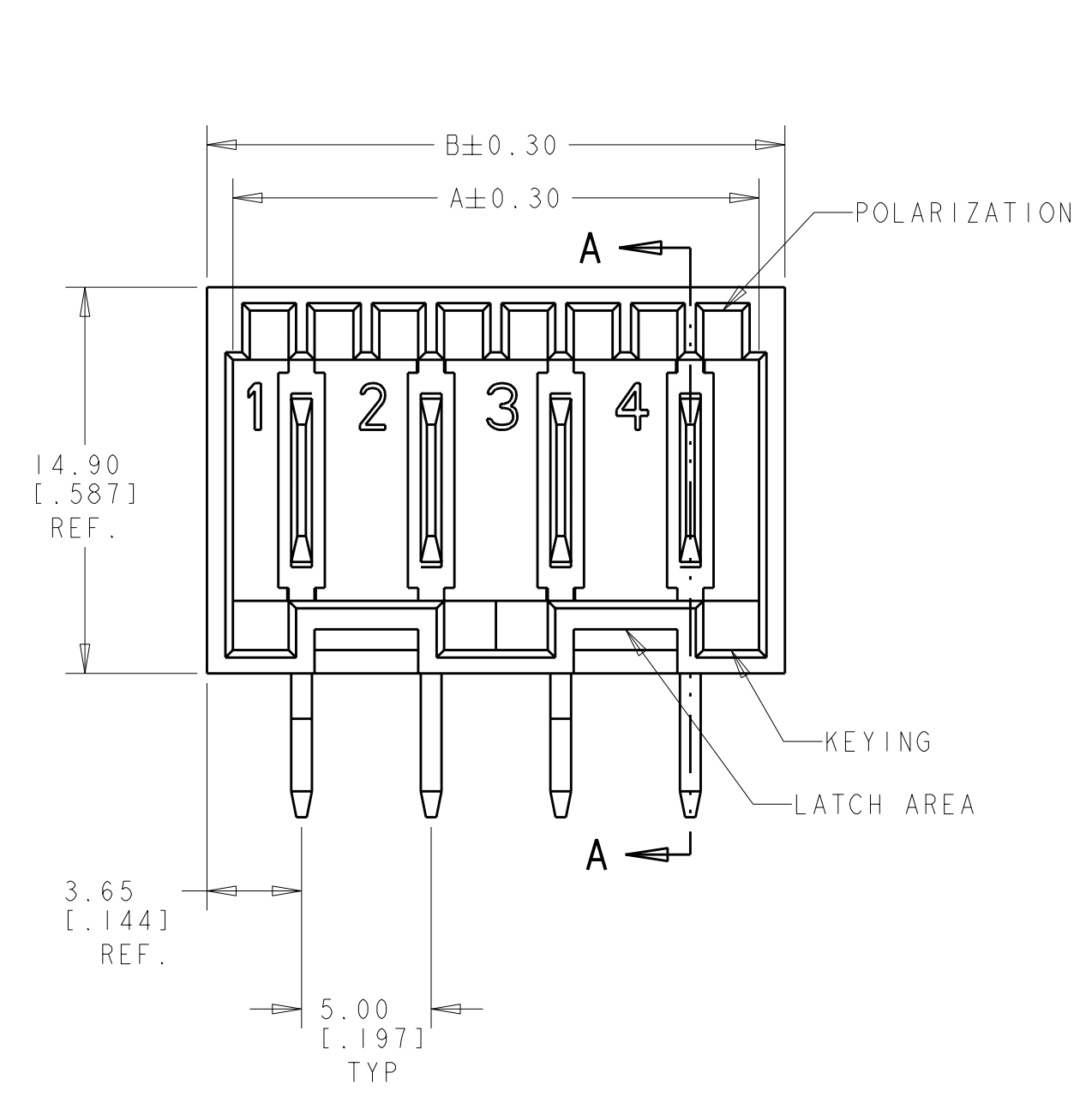


| LOC | DIST | REVISIONS | | | |
|-----|------|---------------------------|-----------|-----|------|
| P | LTB | DESCRIPTION | DATE | DWN | APVD |
| C1 | | REVISED PER ECR-05-002105 | 07JUN2005 | MF | RL |
| C2 | | REVISED PER ECR-05-005628 | 12JUL2005 | MF | RL |
| C3 | | REVISED PER ECR-05-006935 | 27JUL2005 | MF | RL |
| D | | REVISED PER ECR-06-006646 | 07JUN2006 | HMR | RL |

- HOUSING HAS RAST 5 COMPLIANT KEYING, LATCHING, AND POLARIZATION. TAB IS 6.3 x 0.8 [1.250 x .032] ACCORDING TO DIN 46244.
- POSSIBLE TYCO MATING CONNECTOR FAMILIES INCLUDE STANDARD TIMER RAST 5, MULTIFITTING, MULTIFITTING MKII, AND MONO-SHAPE TAB CONNECTORS.
- SEE SHEET 2 FOR AVAILABLE CONFIGURATIONS.
- MATERIAL: HOUSING, NYLON 66, UL 94V-0. CONTACT, BRASS, 0.8 mm THICK.
- FINISH: CONTACTS, 3.8 μm MIN TIN OVER 1.3 μm MIN NICKEL.
- PCB TABS INSERTED IN A STAGGERED PATTERN BEGINNING WITH POSITION 1.
- SELECTED HOLES MAY BE 1.05+0.05/-0.00 DIA [1.041+.002/-0.001 DIA] FOR IMPROVED (PRESS-FIT) RETENTION TO P.C.B. PRIOR TO SOLDERING.
- DATUM AND BASIC DIMENSION ESTABLISHED BY CUSTOMER
- PRODUCT QUALIFICATION PER 108-2183
- PRELIMINARY - NOT FOR PRODUCTION



| | | |
|------|------|-------------|
| 47.3 | 45.3 | 9 |
| 42.3 | 40.3 | 8 |
| 37.3 | 35.3 | 7 |
| 32.3 | 30.3 | 6 |
| 27.3 | 25.3 | 5 |
| 22.3 | 20.3 | 4 |
| 17.3 | 15.3 | 3 |
| 12.3 | 10.3 | 2 |
| B | A | NO. OF POS. |

| | | | |
|---|--|---|--|
| DIMENSIONS: mm [INCHES] TOLERANCES UNLESS OTHERWISE SPECIFIED: 9 PLC ± 8 PLC ±0.25(.010) 5 PLC ± 4 PLC ± ANGLES ±2° FINISH: 4, 5 | | DWN: R FLAIG 02MAR2004 CHK: J HUMMEL 02MAR2004 APVD: J HUMMEL 02MAR2004 PRODUCT SPEC: 108-2183 APPLICATION SPEC: WEIGHT: CUSTOMER DRAWING | Tyco Electronics Harrisburg, PA 17105-3608 NAME: ASSEMBLY, DIN, RAST 5 HEADER, RIGHT ANGLE SIZE: A11 CAGE CODE: 00779 DRAWING NO: 521385 SCALE: 4:1 SHEET: 1 OF 3 REV: D |
|---|--|---|--|

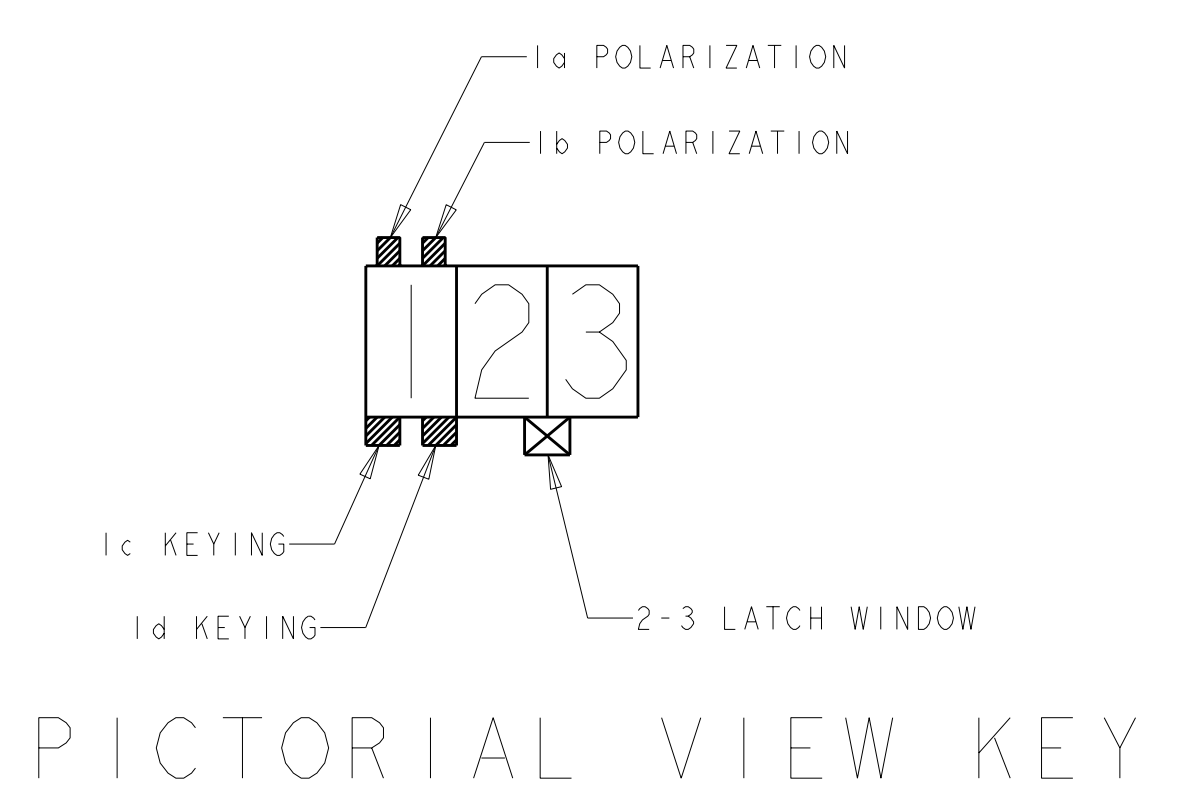
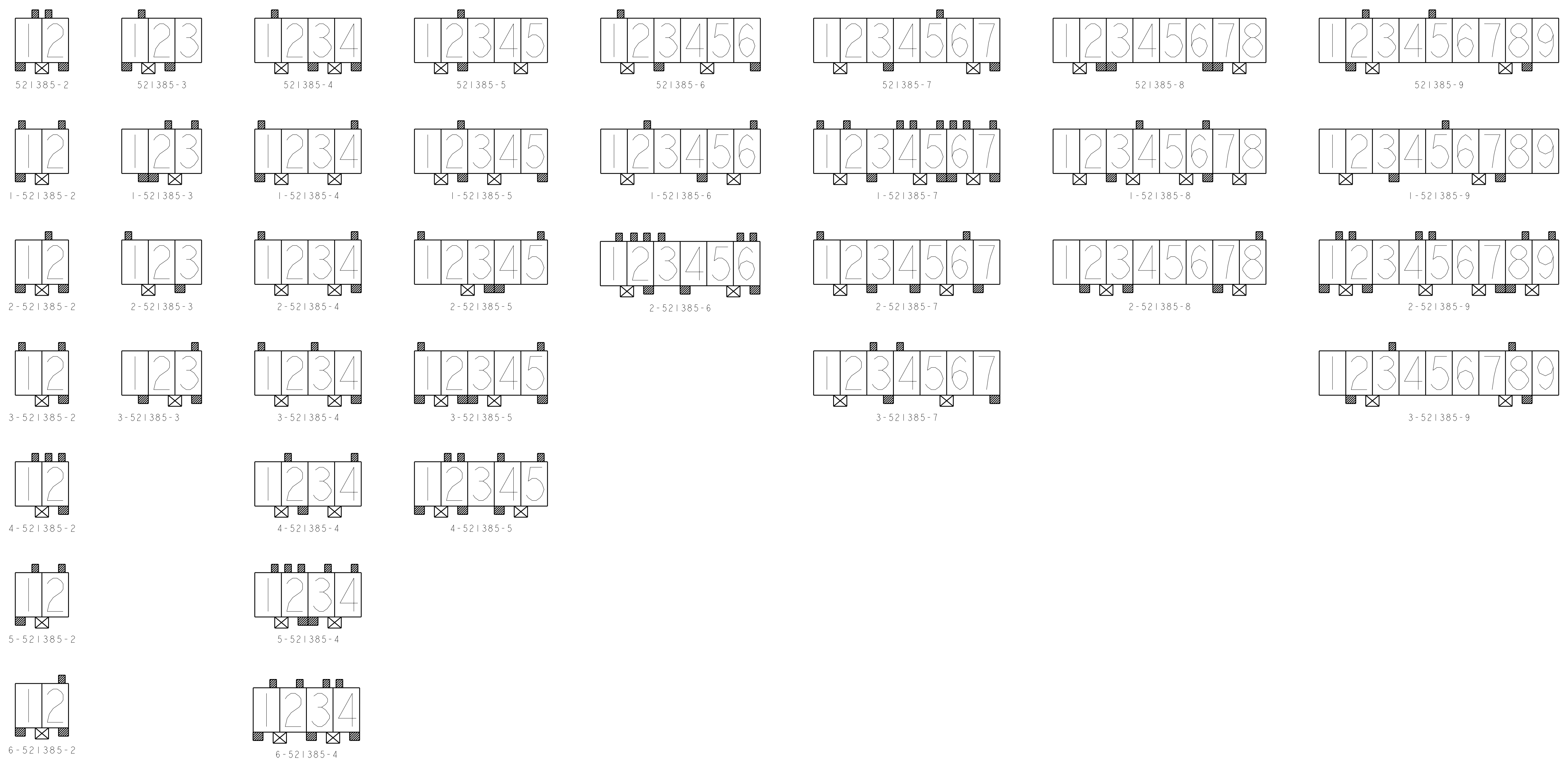
THIS DRAWING IS UNPUBLISHED. RELEASED FOR PUBLICATION 20
 © COPYRIGHT 20 BY TYCO ELECTRONICS CORPORATION, ALL RIGHTS RESERVED.

| LOC | | DIST | | REVISIONS | | | |
|-----|-----|-------------|------|-----------|------|--|--|
| P | LTB | DESCRIPTION | DATE | DWN | APVD | | |
| - | - | SEE SHEET 1 | - | - | - | | |
| | | | | | | | |
| | | | | | | | |

| | | | | | |
|-----------------|-------------|-------------------------|-------------|---------------|-------------|
| 2-3,7-8 | 2c,8d | 3b,8a | 9 | - | 3-521385-9 |
| 1-2,4-5,6-7,8-9 | 1c,2d,7d,8c | 1b,2a,4b,5a,8b,9b | 9 | - | 2-521385-9 |
| 1-2,6-7 | 3d,7d | 5b | 9 | 09-D | 1-521385-9 |
| 2-3,7-8 | 2c,8d | 2b,5a | 9 | 09-C+2c | 521385-9 |
| 2-3,7-8 | 2c,3d,7c | 8b | 8 | 08-C | 2-521385-8 |
| 1-2,3-4,5-6,7-8 | 3c,6d | 4a,6b | 8 | - | 1-521385-8 |
| 1-2,7-8 | 2d,3c,6d,7c | - | 8 | 08-D | 521385-8 |
| 1-2,5-6 | 3d,7d | 3a,4a | 7 | - | 3-521385-7 |
| 1-2,5-6 | 3c,4d,7c | 1a,6b | 7 | - | 2-521385-7 |
| 1-2,4-5,6-7 | 3c,5d,6c,7d | 1a,2a,4a,4b,5b,6a,6b,7b | 7 | - | 1-521385-7 |
| 1-2,6-7 | 3d,7d | 5b | 7 | 07-C | 521385-7 |
| 1-2,5-6 | 2d,4c,6d | 1b,2a,2b,3a,6a,6b | 6 | - | 2-521385-6 |
| 1-2,5-6 | 4d | 2b,6b | 6 | 06-D | 1-521385-6 |
| 1-2,4-5 | 3c,6d | 1b | 6 | 06-A | 521385-6 |
| 1-2,4-5 | 1c,2d,4c | 2a,2b,4a,5b | 5 | - | 4-521385-5 |
| 1-2,3-4 | 1c,2d,3c,5d | 1a,5b | 5 | - | 3-521385-5 |
| 2-3 | 3d,4c | 1a,5b | 5 | - | 2-521385-5 |
| 1-2,3-4 | 2d,5d | 2b | 5 | - | 1-521385-5 |
| 1-2,4-5 | 2d | 2b | 5 | 05-B | 521385-5 |
| 1-2,3-4 | 1c,3c,4d | 1b,2b,3b,4a | 4 | - | 6-521385-4 |
| 1-2,3-4 | 2d,3c | 1b,2a,2b,3b,4b | 4 | - | 5-521385-4 |
| 1-2,3-4 | 2d | 2a,4b | 4 | 04-G | 4-521385-4 |
| 1-2,3-4 | 4d | 1a,3a | 4 | 04-F | 3-521385-4 |
| 1-2,3-4 | 4d | 1a,4b | 4 | 04-C | 2-521385-4 |
| 1-2,3-4 | 1c | 1a,4b | 4 | 04-B | 1-521385-4 |
| 1-2,3-4 | 3c,4d | 1b | 4 | 04-A | 521385-4 |
| 2-3 | 1d,3d | 3b | 3 | - | 3-521385-3 |
| 1-2 | 3c | 1a | 3 | 03-D | 2-521385-3 |
| 2-3 | 1d,2c | 2b,3b | 3 | 03-B | 1-521385-3 |
| 1-2 | 1c,2d | 1b | 3 | 03-A | 521385-3 |
| 1-2 | 1c,2d | 2b | 2 | 02-P | 6-521385-2 |
| 1-2 | 1c | 1b,2b | 2 | 02-I | 5-521385-2 |
| 1-2 | 2d | 1b,2a,2b | 2 | 02-G | 4-521385-2 |
| 1-2 | 2d | 1a,2b | 2 | 02-E | 3-521385-2 |
| 1-2 | 1c,2d | 2a | 2 | 02-C | 2-521385-2 |
| 1-2 | 1c | 1a,2b | 2 | 02-B | 1-521385-2 |
| 1-2 | 1c,2d | 1b,2a | 2 | 02-A | 521385-2 |
| LATCH WINDOWS | KEYING | POLAR. | NO. OF POS. | RAST 5 DESIG. | PART NUMBER |

| | | | |
|---|--|---|--|
| <small>THIS DRAWING IS UNPUBLISHED. RELEASED FOR PUBLICATION 20 © COPYRIGHT 20 BY TYCO ELECTRONICS CORPORATION, ALL RIGHTS RESERVED.</small> | | DWN R. FLAIG 02MAR2004 CHK J. HUMMEL 02MAR2004 APVD J. HUMMEL 02MAR2004 | tyco Electronics Tyco Electronics Harrisburg, PA 17105-3608 |
| DIMENSIONS: mm [INCHES] | TOLERANCES UNLESS OTHERWISE SPECIFIED: 9 PLC ± 1 PLC ±0.25(.010) 5 PLC ± 4 PLC ± ANGLES ±2° FINISH | PRODUCT SPEC 108-2183 APPLICATION SPEC | ASSEMBLY, DIN, RAST 5 HEADER, RIGHT ANGLE |
| MATERIAL | FINISH | WEIGHT | SIZE CAGE CODE DRAWING NO. RESTRICTED TO A 00779 C=521385 |
| CUSTOMER DRAWING | | SCALE 3:1 | SHEET 2 OF 3 REV D |

| LOC | DIST | REV | DATE | BY | APPD |
|-------------|------|-----|------|-----|------|
| AF | 50 | | | | |
| DESCRIPTION | | | DATE | DWN | APPD |
| SEE SHEET 1 | | | - | - | - |



| | | | |
|--|--|--|---|
| <small>THIS DRAWING IS UNPUBLISHED. RELEASED FOR PUBLICATION BY TYCO ELECTRONICS CORPORATION. ALL RIGHTS RESERVED.</small> | | DWN R FLAIG 02MAR2004 CHK J HUMMEL 02MAR2004 APVD J HUMMEL 02MAR2004 | tyco Electronics Tyco Electronics Harrisburg, PA 17105-3608 |
| DIMENSIONS: mm [INCHES] | TOLERANCES UNLESS OTHERWISE SPECIFIED: 9 PLC ± 1 PLC ±0.25 (0.010) 5 PLC ± 4 PLC ± ANGLES ±2° | PRODUCT SPEC 108-2183 APPLICATION SPEC | NAME ASSEMBLY, DIN, RAST 5 HEADER, RIGHT ANGLE SIZE CAGE CODE DRAWING NO RESTRICTED TO A11 00779 C=521385 |
| MATERIAL | FINISH | WEIGHT | CUSTOMER DRAWING SCALE 4:1 SHEET 3 OF 3 REV D |