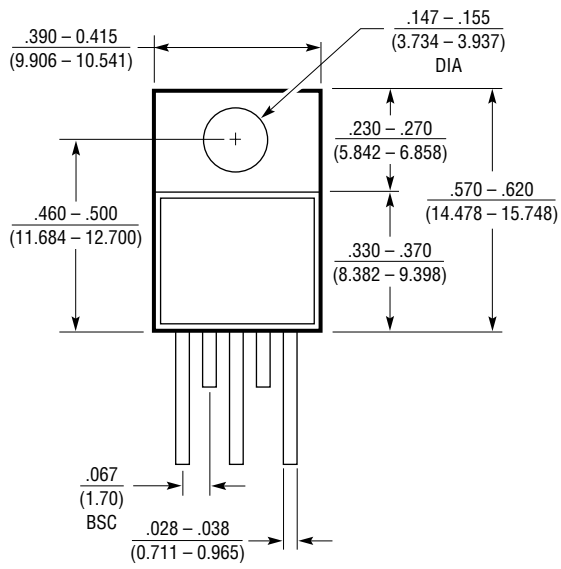
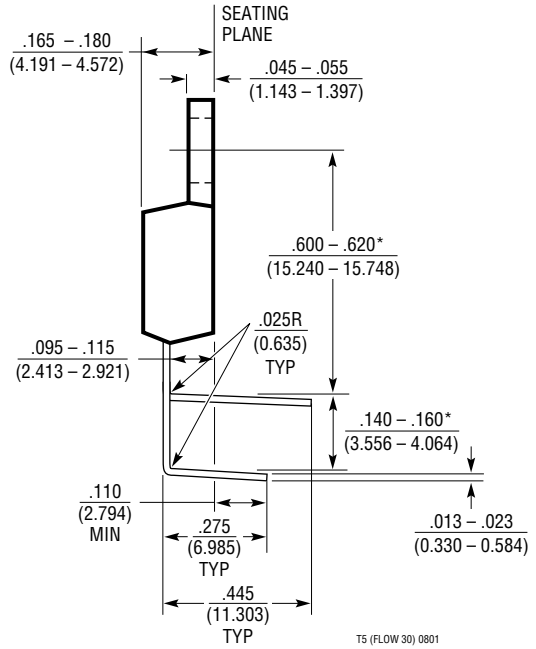


TO-220 5-Lead Package Outline (Flow 30)
 (Reference LTC DWG # 05-08-1490)



*MEASURED AT SEATING PLANE
 CONTROLLING DIMENSIONS ARE IN INCHES



T5 (FLOW 30) 0801