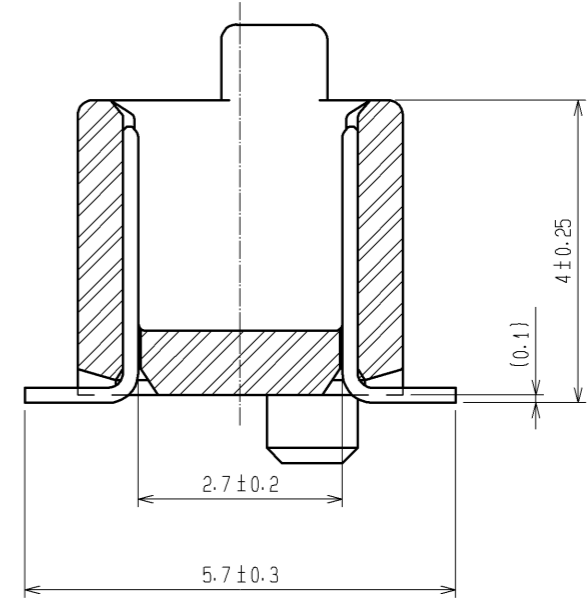
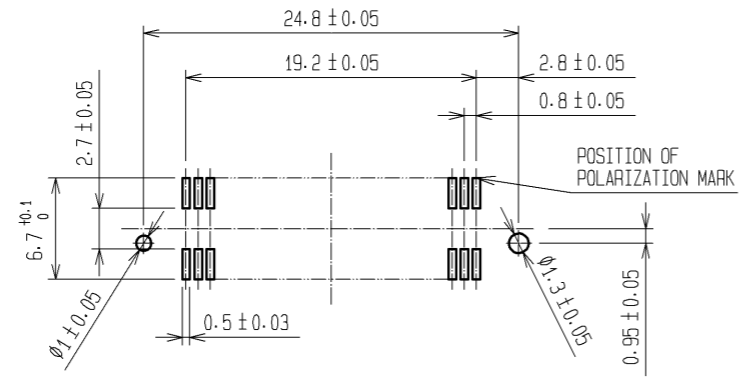


A-A (10:1)



- NOTE
- 1 HRS MARK SHALL BE OPTIONAL.
 - 2 LEAD CO-PLANARITY SHALL BE 0.1mm MAX.
 - 3 EMBOSSED CARRIER TAPE PACKAGING SHALL BE APPLIED TO THIS PRODUCT. SEE NEXT PAGE FOR DETAILS.
 - 4 THIS PRODUCT HAS TAPE FOR VACUUM PICKUP. SEE NEXT PAGE FOR DETAIL OF STICKING POSITION, ETC.
 - 5 FOR MODIFICATION, ETC. PREVENTIVE HOLE FOR SINK MARK MAY BE ADDED ACCORDING TO CIRCUMSTANCES.
 - 6 THE DIMENSIONS IN PARENTHESES ARE FOR REFERENCE.

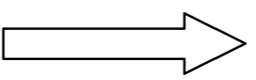
RECOMMENDED LAND PATTERN DIMENSION OF PCB (MOUNTING SIDE)
(RECOMMENDED METAL MASK THICKNESS:t=0.15)



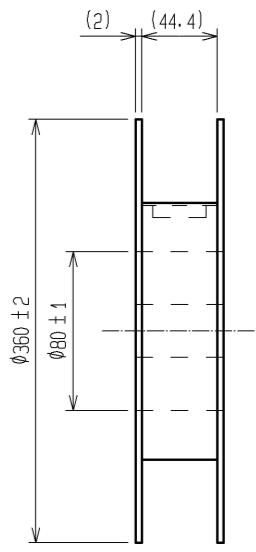
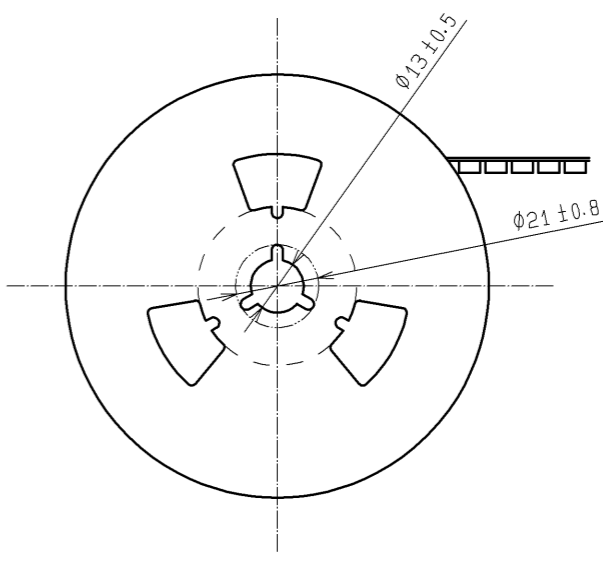
5	POLYIMIDE	TAPE FOR VACUUM PICKUP					
4	POLYESTER	TOP COVER TAPE					
3	POLYSTYRENE	EMBOSSED CARRIER TAPE	2	PHOSPHOR BRONZE	CONTACT AREA:GOLD 0.1μm min.		
1	PPS	LIGHT BROWN UL94V-0			LEAD AREA:GOLD FLASH		
					UNDER PLATING:NICKEL 1μm min.		
NO.	MATERIAL	FINISH . REMARKS	NO.	MATERIAL	FINISH . REMARKS		
UNITS	mm	SCALE	2 : 1	COUNT	DESCRIPTION OF REVISIONS	DESIGNED	CHECKED
		APPROVED	HS. OKAWA	08.04.15	DRAWING NO.	EDC3-071637-23	
		CHECED	HS. OZAWA	08.04.15	PART NO.	FX6-50P-0.8SV(93)	
		DESIGNED	KY. NAKAMURA	08.04.15	CODE NO.	CL576-0004-1-93	
		DRAWN	TP. MATSUMOTO	08.04.14			1/2

DRAWING FOR PACKING(2:1)

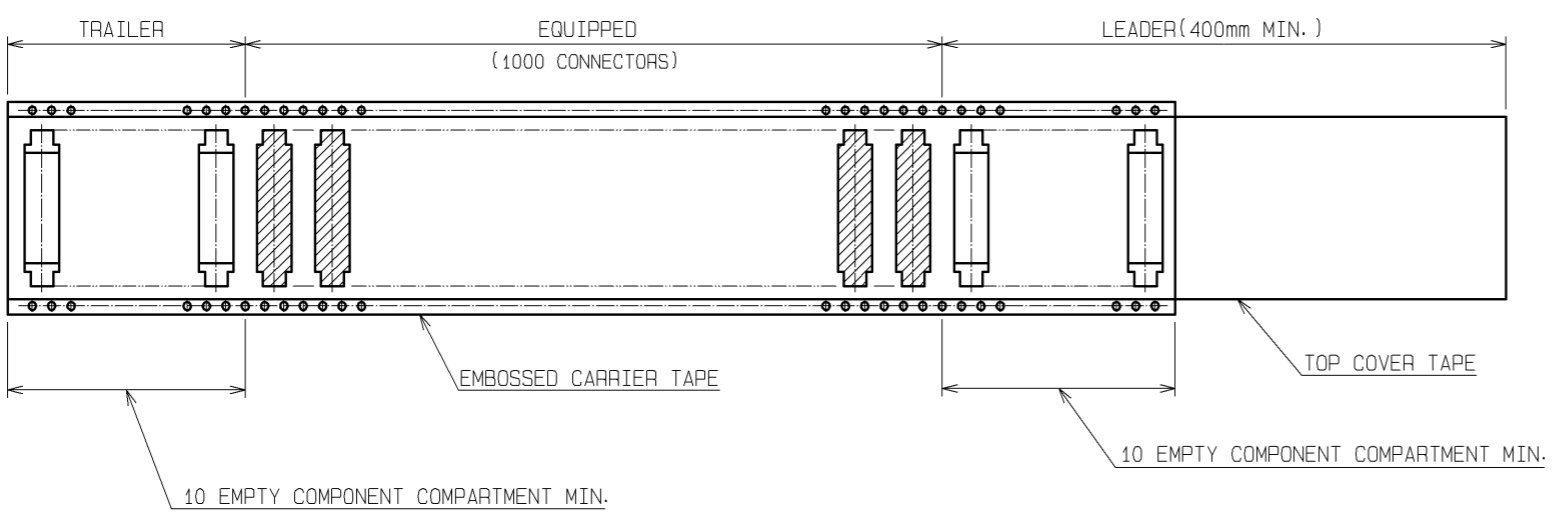
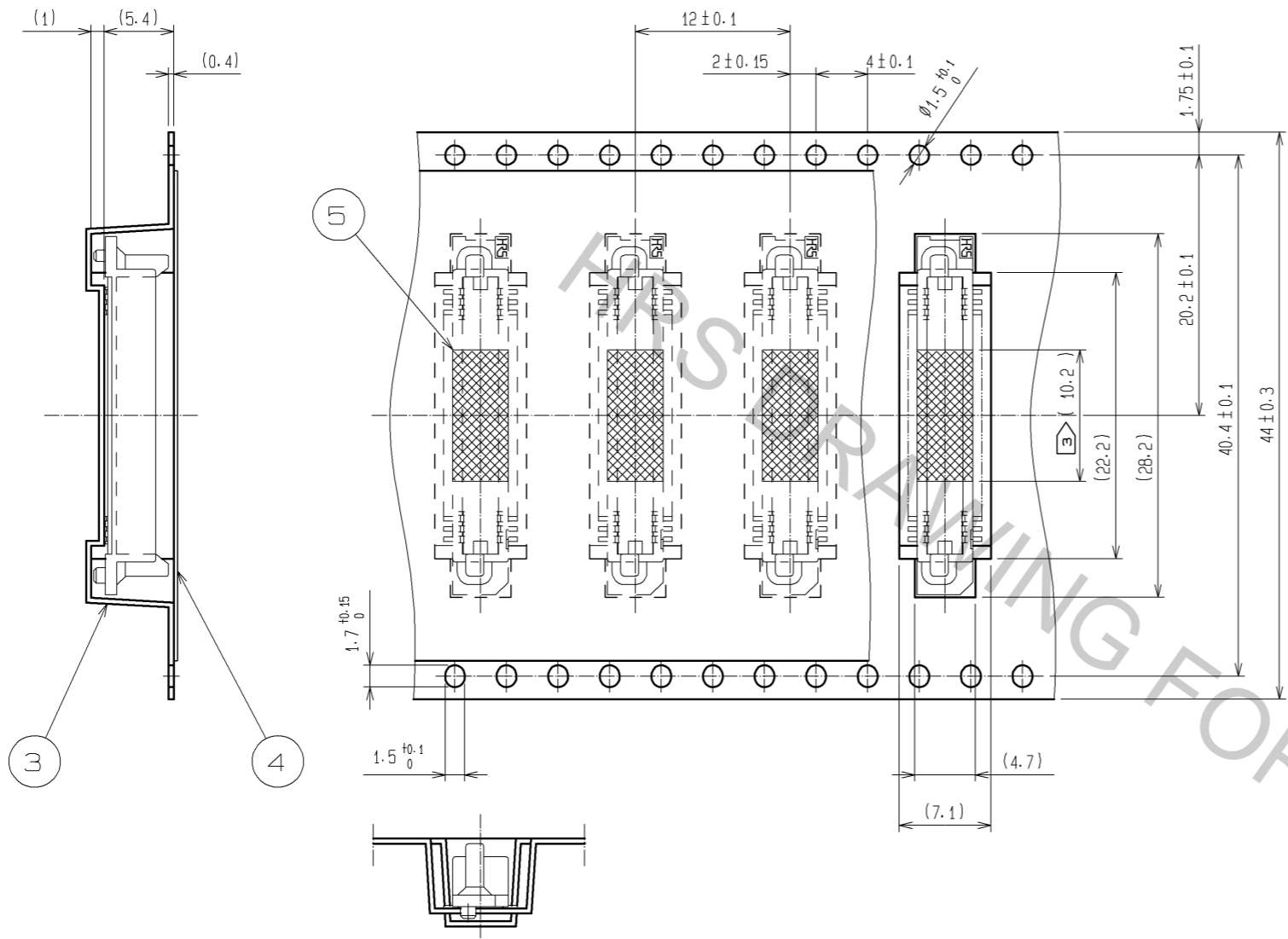
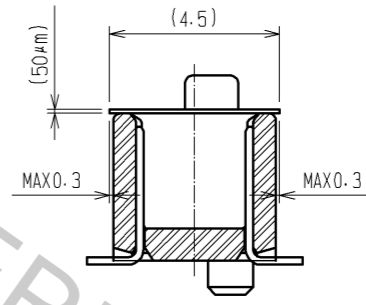
UNREELING DIRECTION



REEL DIMENSION(FREE)



DETAIL OF TAPE FOR VACUUM PICKUP(5:1)



- NOTE 1 1 REEL : 1000 CONNECTORS.
 2 THE DIMENSIONS IN PARENTHESES ARE FOR REFERENCE.
 3 REMOVE THE VACUUM PICKUP TAPE AFTER MOUNTING THE CONNECTOR.

HRS	DRAWING NO.	EDC3-071637-23	2/2
	PART NO.	FX6-50P-0.8SV(93)	
	CODE NO.	CL576-0004-1-93	