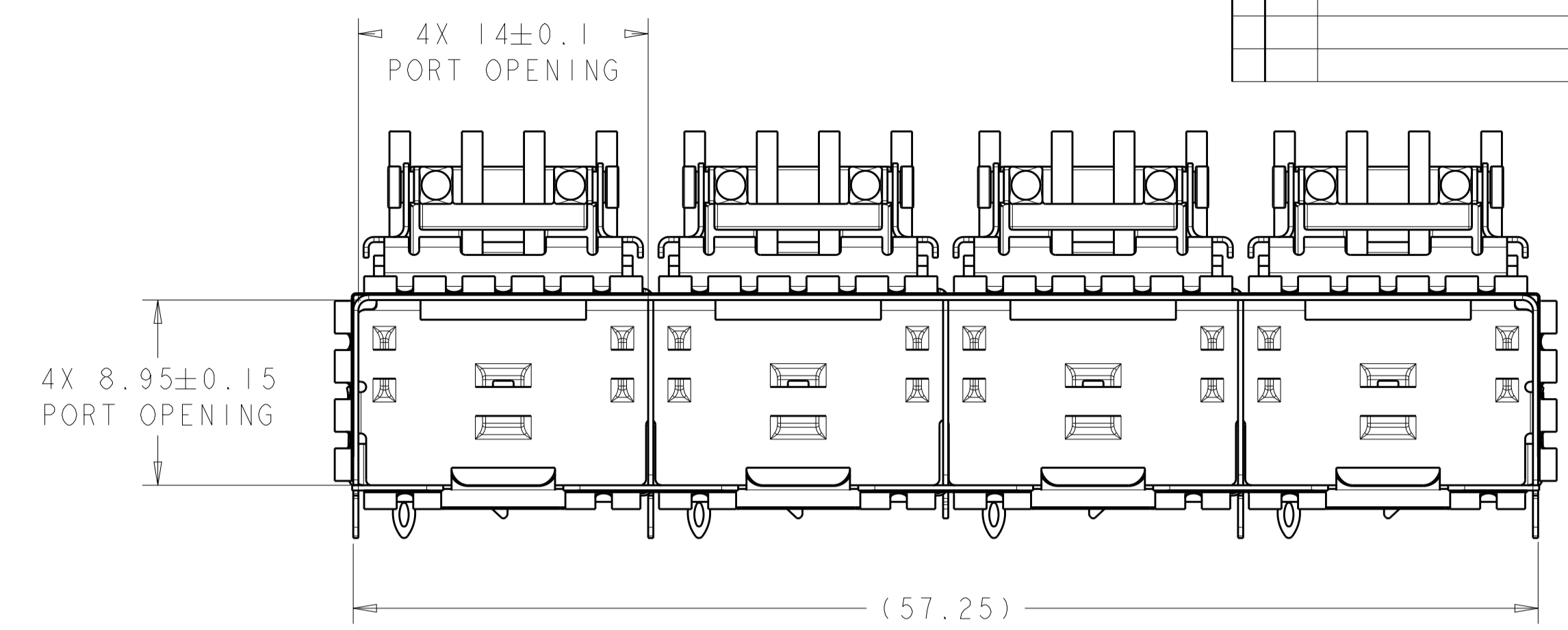
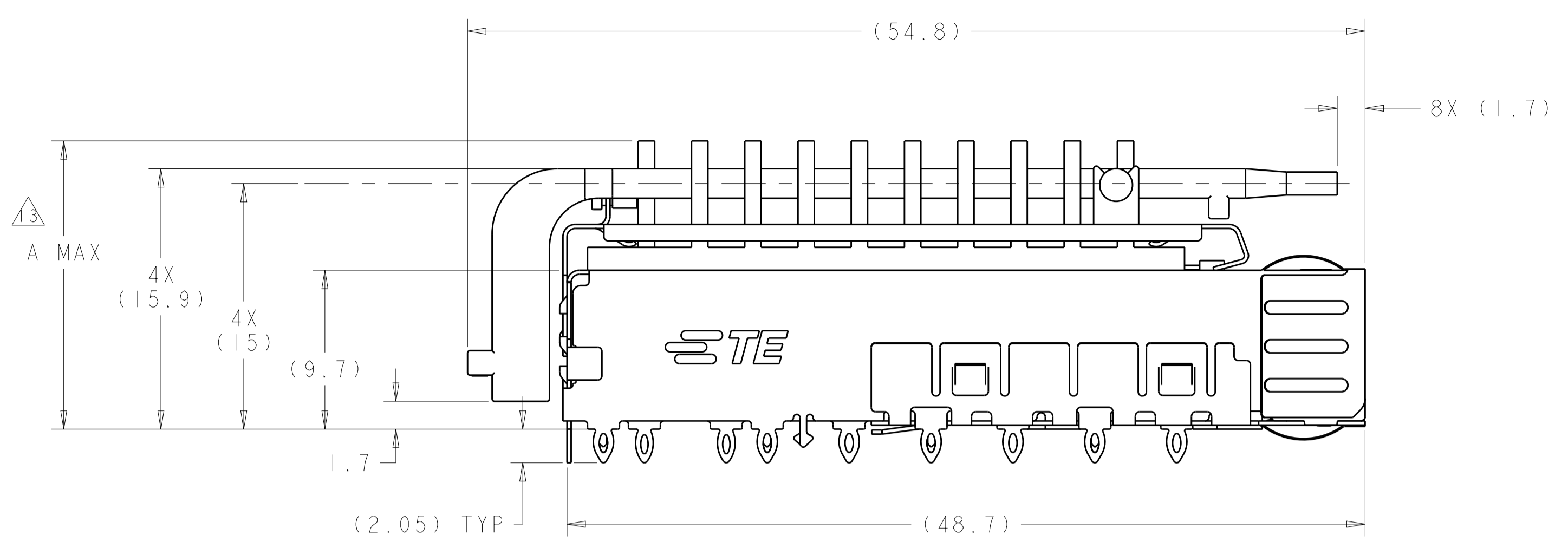
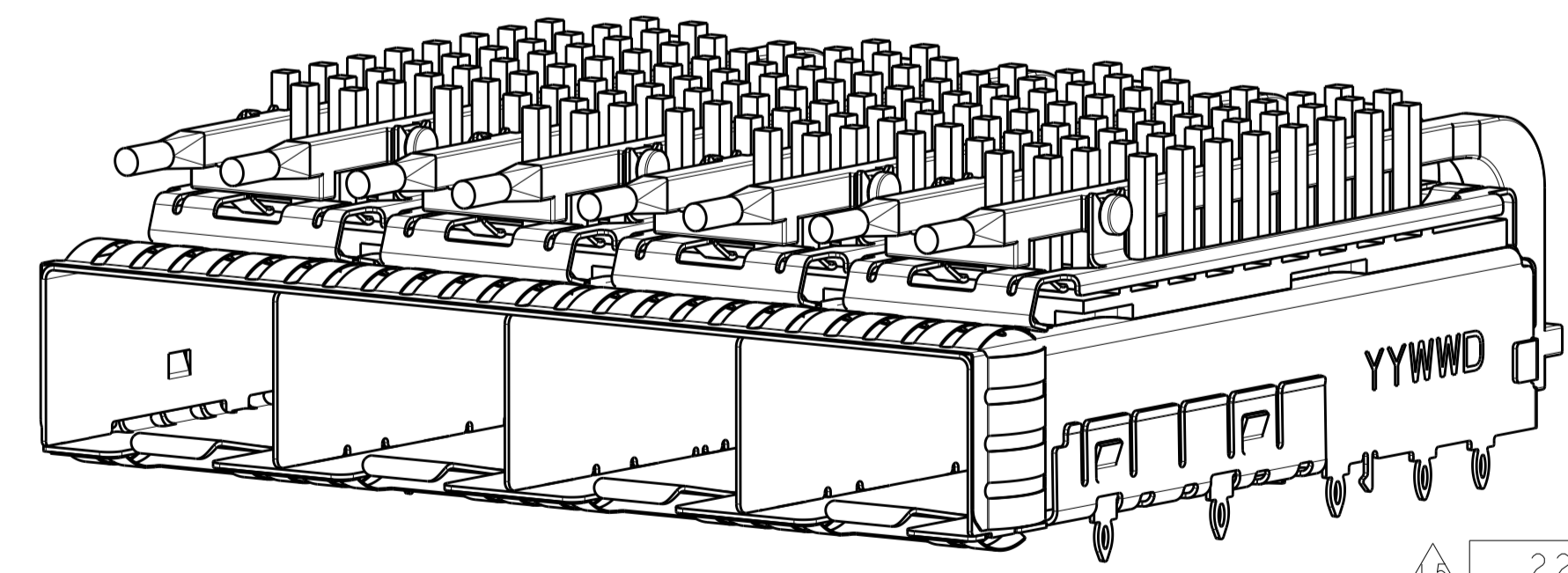
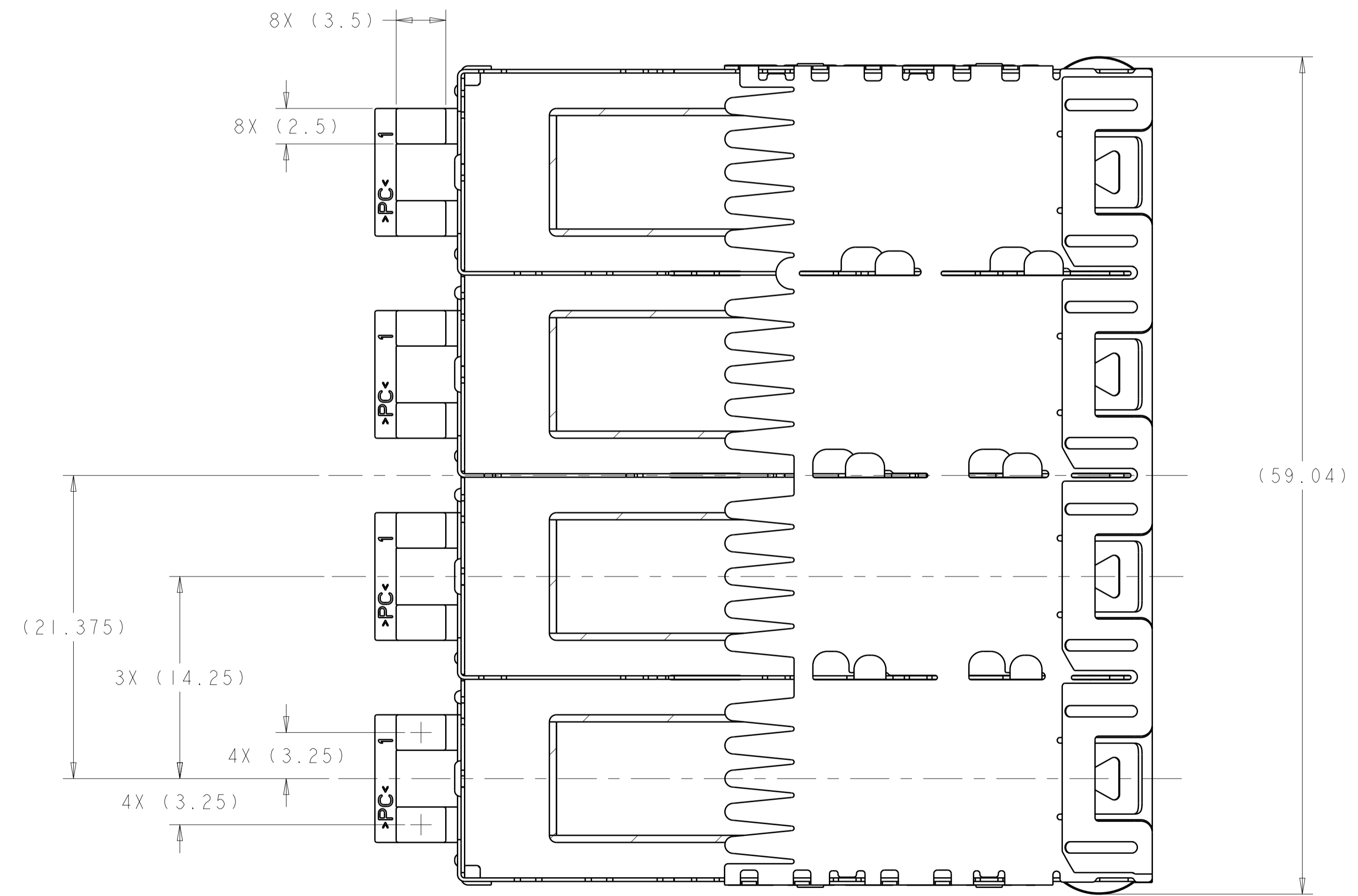


LOC	DIST	REVISIONS			
P	LTN	DESCRIPTION	DATE	DMN	APVD
GP	00	A	RELEASED PER ECO-12-013192	180CT2012	BMM MRS



- 1. MATERIAL:
 CAGE ASSEMBLY: 0.25mm THICK NICKEL SILVER ALLOY
 HEATSINK/LIGHTPIPE CLIP: STAINLESS STEEL
 LIGHT PIPE: POLYCARBONATE, CLEAR
 HEATSINK: ALUMINUM
- 2. FINISH:
 SPRINGS: MINIMUM OF 0.8um TIN PLATE OVER A MINIMUM OF 0.8um NICKEL UNDERPLATE.
 NON-PLATED EDGES PERMISSIBLE.
 HEATSINK: ELECTROLESS NICKEL
 HEATSINK/LIGHTPIPE CLIP: PASSIVATE
- 3. PADS AND VIAS CHASSIS GROUND.
- 4. DATUM AND BASIC DIMENSION ESTABLISHED BY CUSTOMER.
- 5. MATES WITH SFP MSA COMPLIANT TRANSCEIVERS.
- 6. INTERPRETATION OF DATUM REFERENCE FRAME IN ACCORDANCE WITH SECT 4.4.1.1 OF ASME Y14.5M-1994.
- 7. REFERENCE APPLICATION SPEC. 114-13120, HOLE A, FOR RECOMMENDED DRILL HOLE DIAMETER AND PLATING THICKNESS.
- 8. REFERENCE APPLICATION SPEC. 114-13120, HOLE B, FOR RECOMMENDED DRILL HOLE DIAMETER AND PLATING THICKNESS.
- 9. HOLE PATTERN REPEATS FOR EACH PORT. SPACING BETWEEN PORTS IS 14.25mm.
- 10. MINIMUM PC BOARD THICKNESS:
 SINGLE SIDED = 1.50mm
 DOUBLE SIDED = 2.25mm
- 11. CERTAIN MATING TRANSCEIVERS MAY REQUIRE ADDITIONAL PCB THICKNESS THAT WOULD BE DETERMINED BY THE CUSTOMER.
- 12. PRODUCT COMPLIES WITH SPECIFICATION SFF-8433 IMPROVED PLUGGABLE FORM FACTOR FOR SFP+ GANGED CAGES.
- 13. DIMENSION APPLIES PRIOR TO INSERTION OF SFP MODULE
- 14. HEATSINK, HEATSINK CLIP, AND LIGHTPIPE SHIPPED UNASSEMBLED TO CAGE ASSEMBLY. CAGE ASSEMBLY TO BE PRESSED INTO PCB PRIOR TO ATTACHING HEATSINK, HEATSINK CLIP, AND LIGHTPIPE TO THE CAGE ASSEMBLY.
- 15. PACKAGED AS A COMPLETE ASSEMBLY.

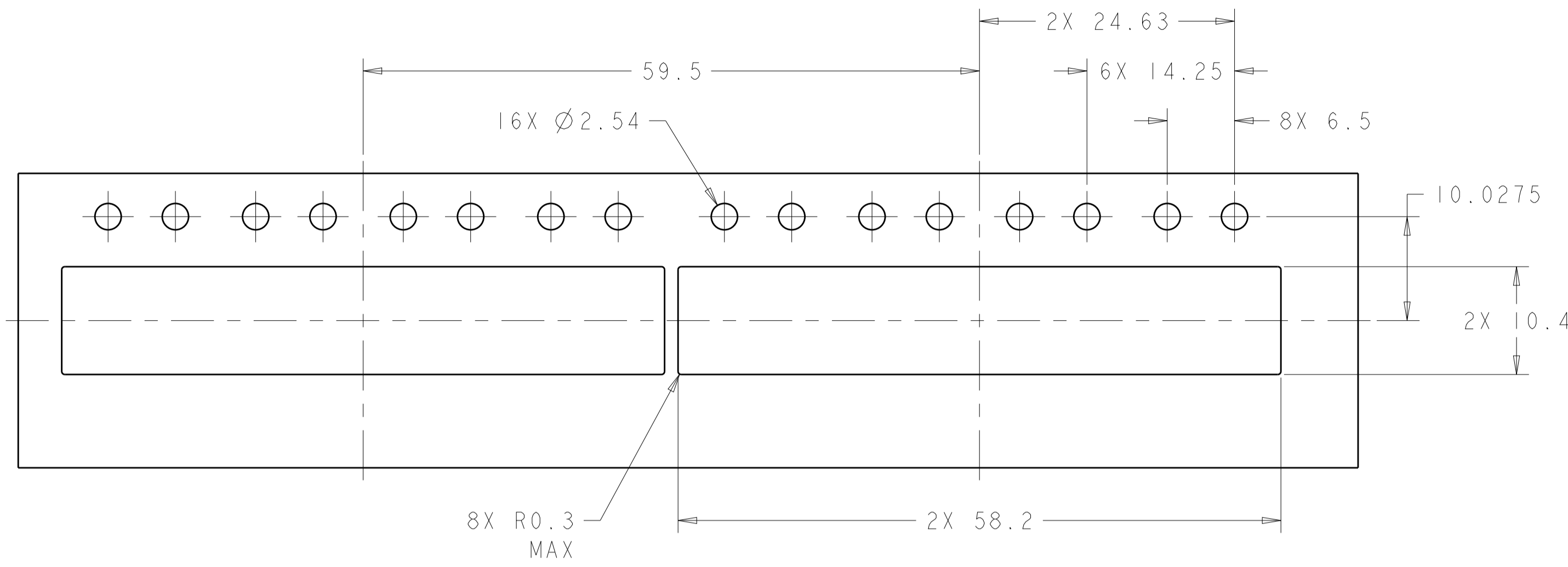


2198234
 FINISHED ASSEMBLY
 SCALE 3:1

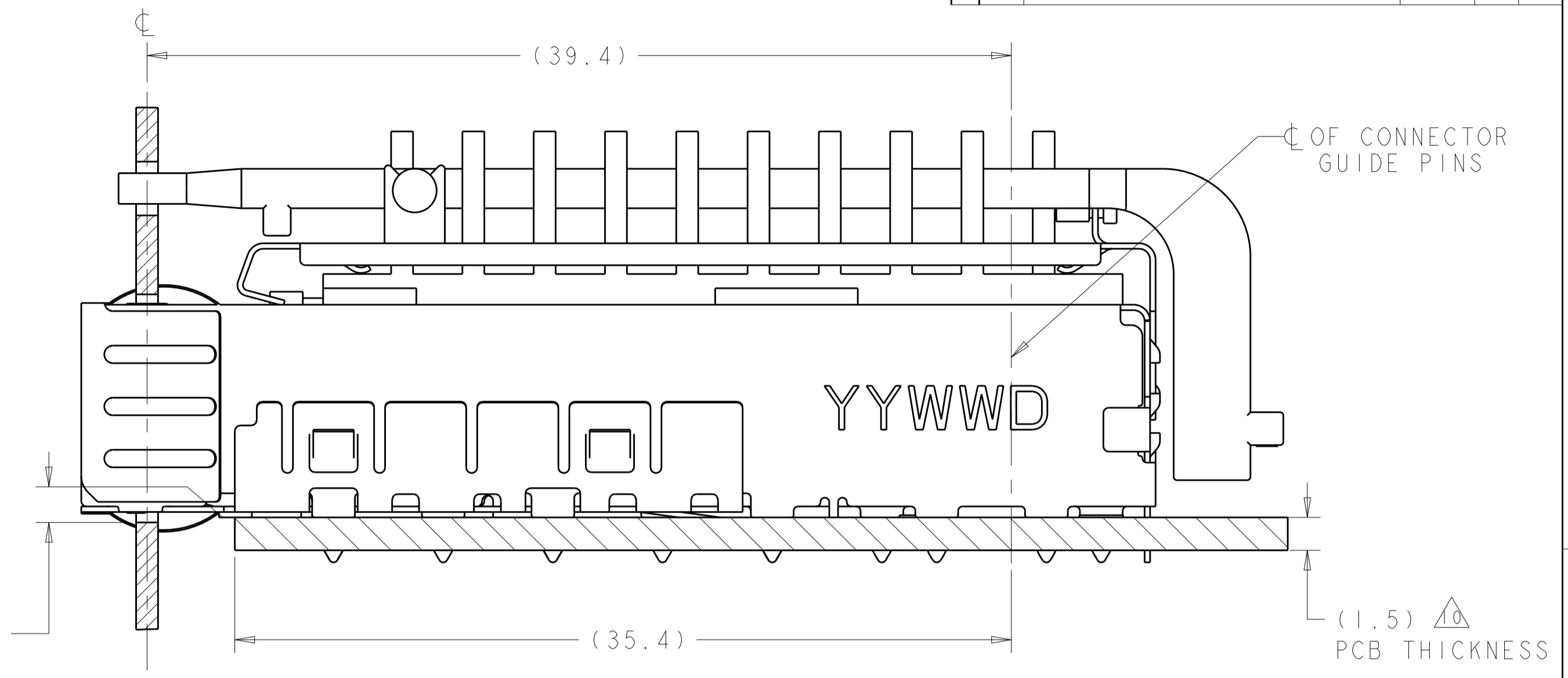
22.5	NETWORKING, TALL	2198234-4
18.1	NETWORKING, SHORT	2198234-3
15.5	SAN	2198234-2
13.2	PCI	2198234-1
A MAX	APPLICATION	PART NUMBER

THIS DRAWING IS A CONTROLLED DOCUMENT.		DMN: B. MATTHEWS 15NOV2011	TE Connectivity
DIMENSIONS: mm		CHK: M. SCHMITT 15NOV2011	
TOLERANCES UNLESS OTHERWISE SPECIFIED:		APVD: M. SCHMITT 15NOV2011	NAME: SFP+ ENHANCED 1X4 CAGE ASSEMBLY, PRESS FIT, EXTERNAL EMI SPRINGS WITH HEATSINK AND LIGHTPIPE PRODUCT SPEC: 108-2364 APPLICATION SPEC: 114-13120 SIZE: CAGE CODE DRAWING NO: A100779 WEIGHT: - Customer Drawing
0 PLC ±0.1		PRODUCT SPEC: 108-2364	
1 PLC ±0.1		APPLICATION SPEC: 114-13120	
2 PLC ±0.1		RESTRICTED TO: -	
3 PLC ±0.1		SCALE: 4:1	SHEET: 1 OF 4
4 PLC ±0.1		REV: A1	
ANGLES ±0.1			
FINISH: ±1°			

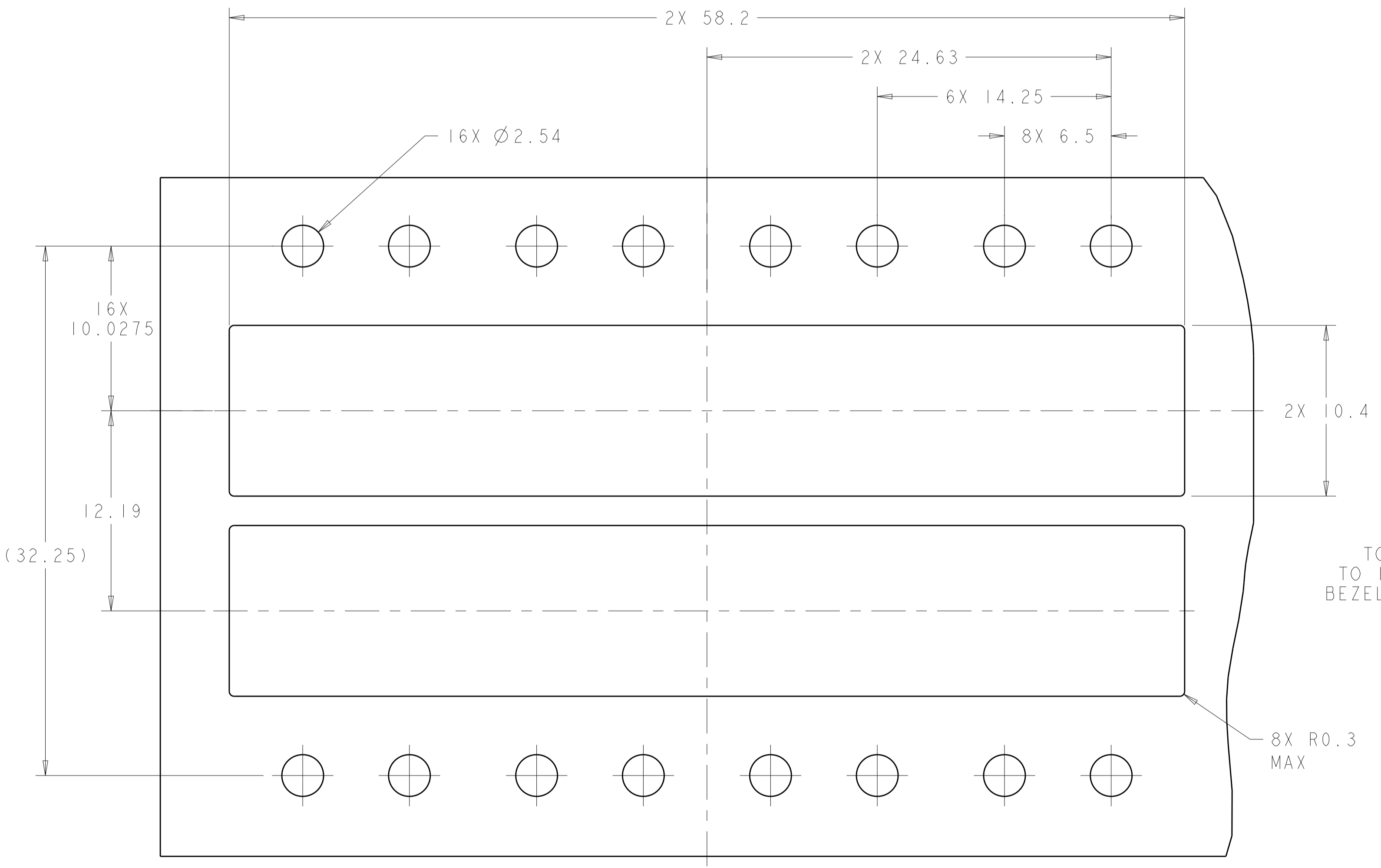
LOC		DIST		REVISIONS			
GP	00	P	LTN	DESCRIPTION	DATE	DMN	APVD
		-		SEE SHEET 1			



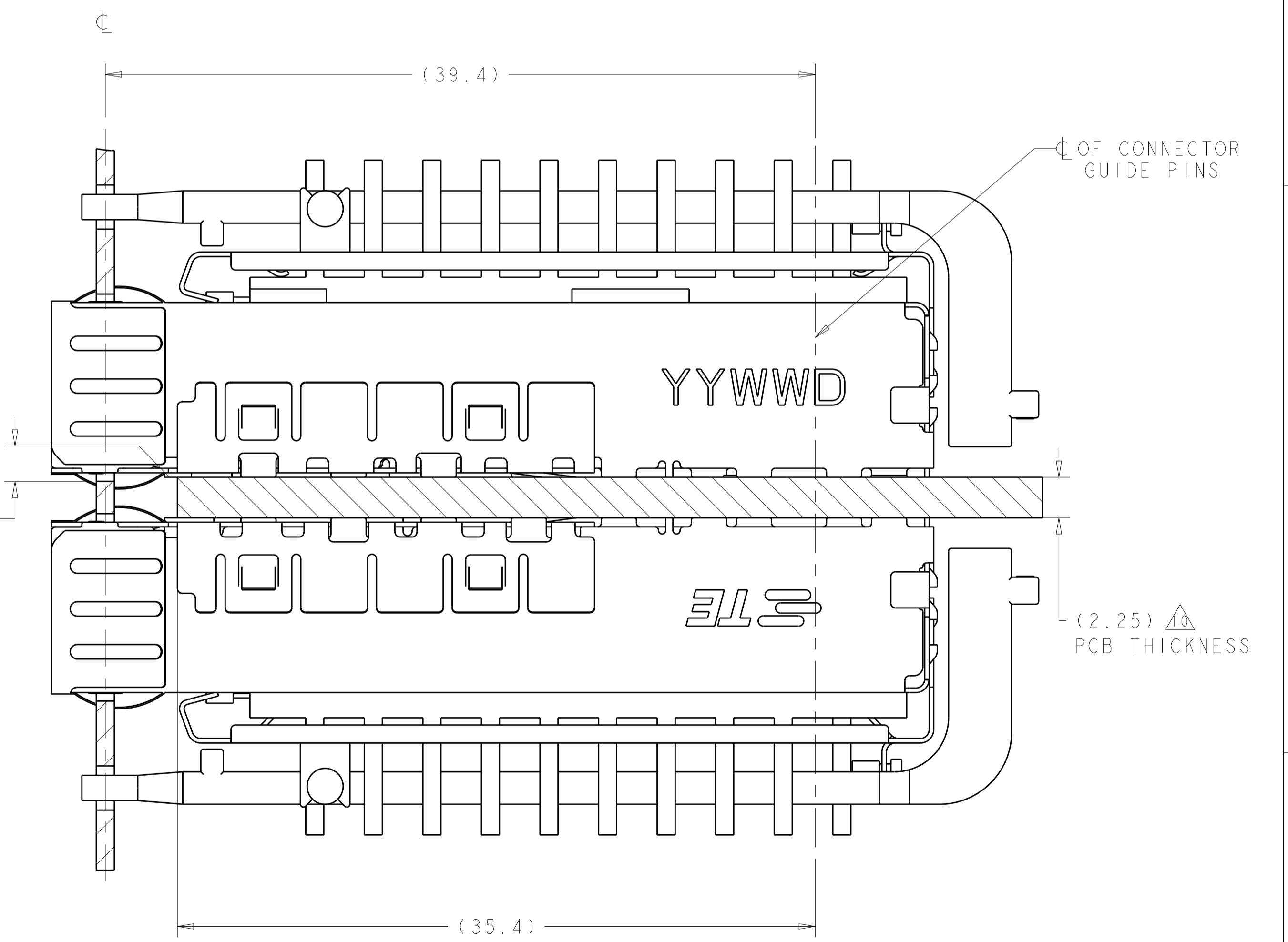
RECOMMENDED BEZEL CUT-OUT
 SINGLE SIDED APPLICATIONS
 SCALE 5:2



2198234
 MOUNTED ON PC BOARD
 SHOWN THRU RECOMMENDED BEZEL



RECOMMENDED BEZEL CUT-OUT
 BELLY TO BELLY APPLICATIONS

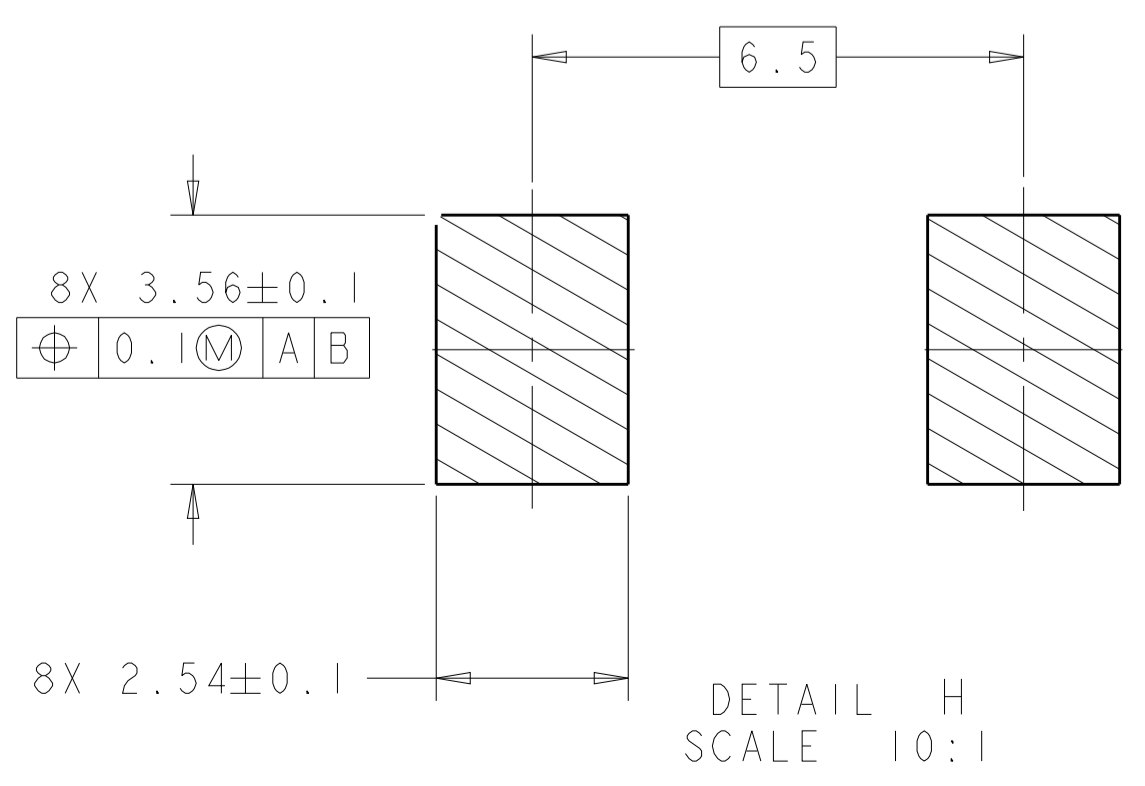
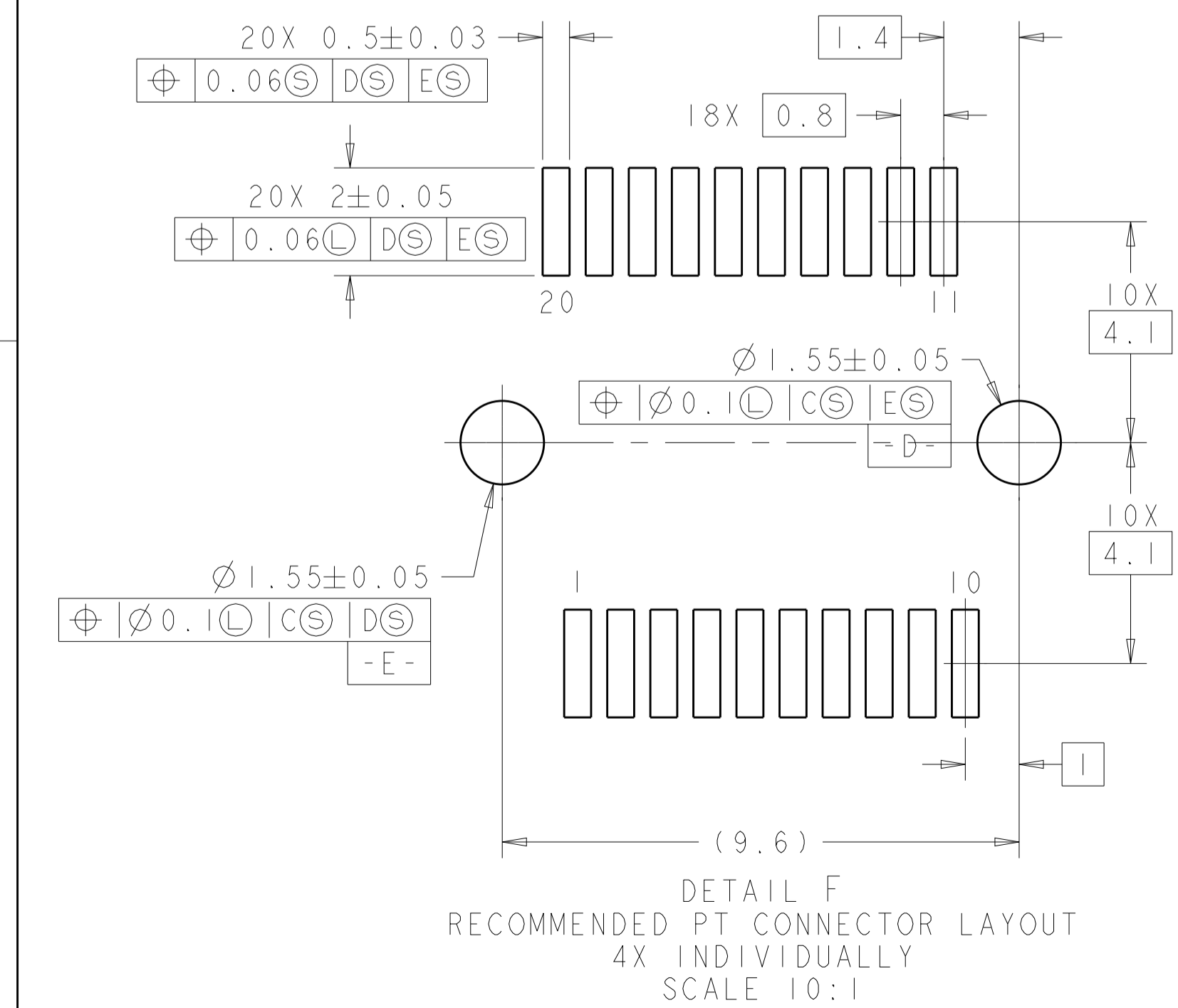
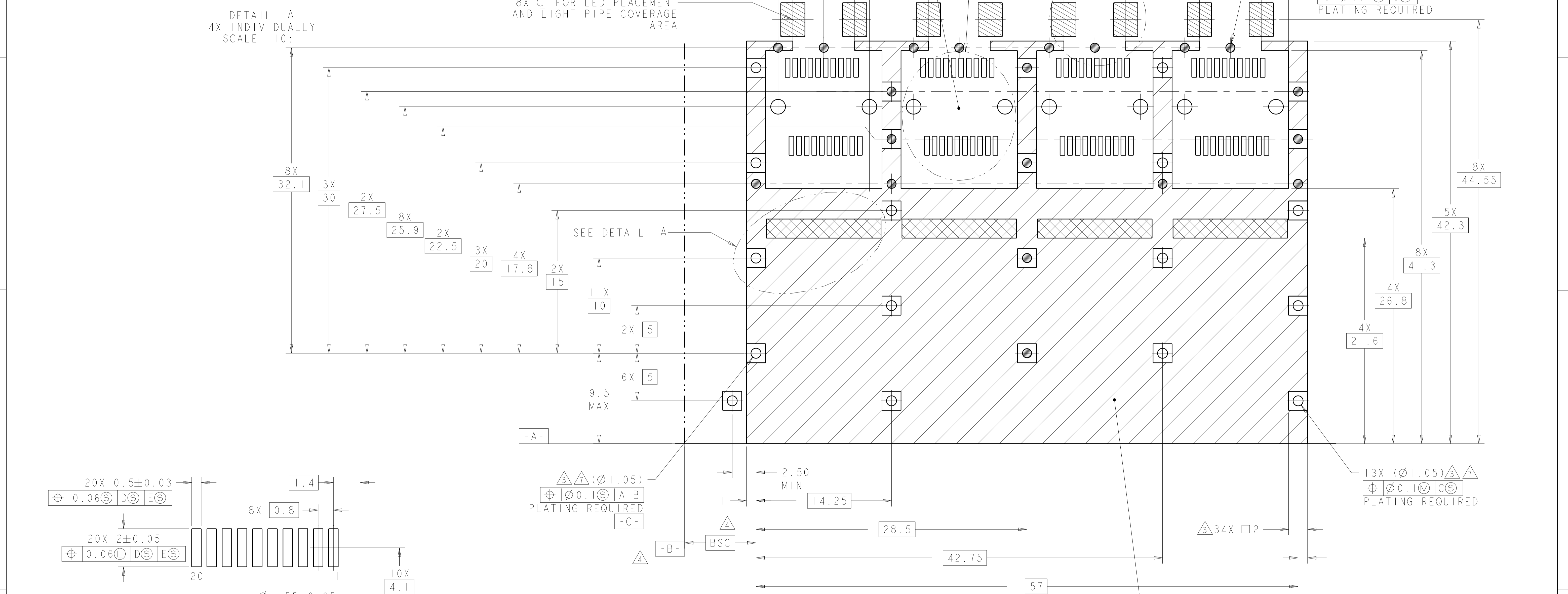
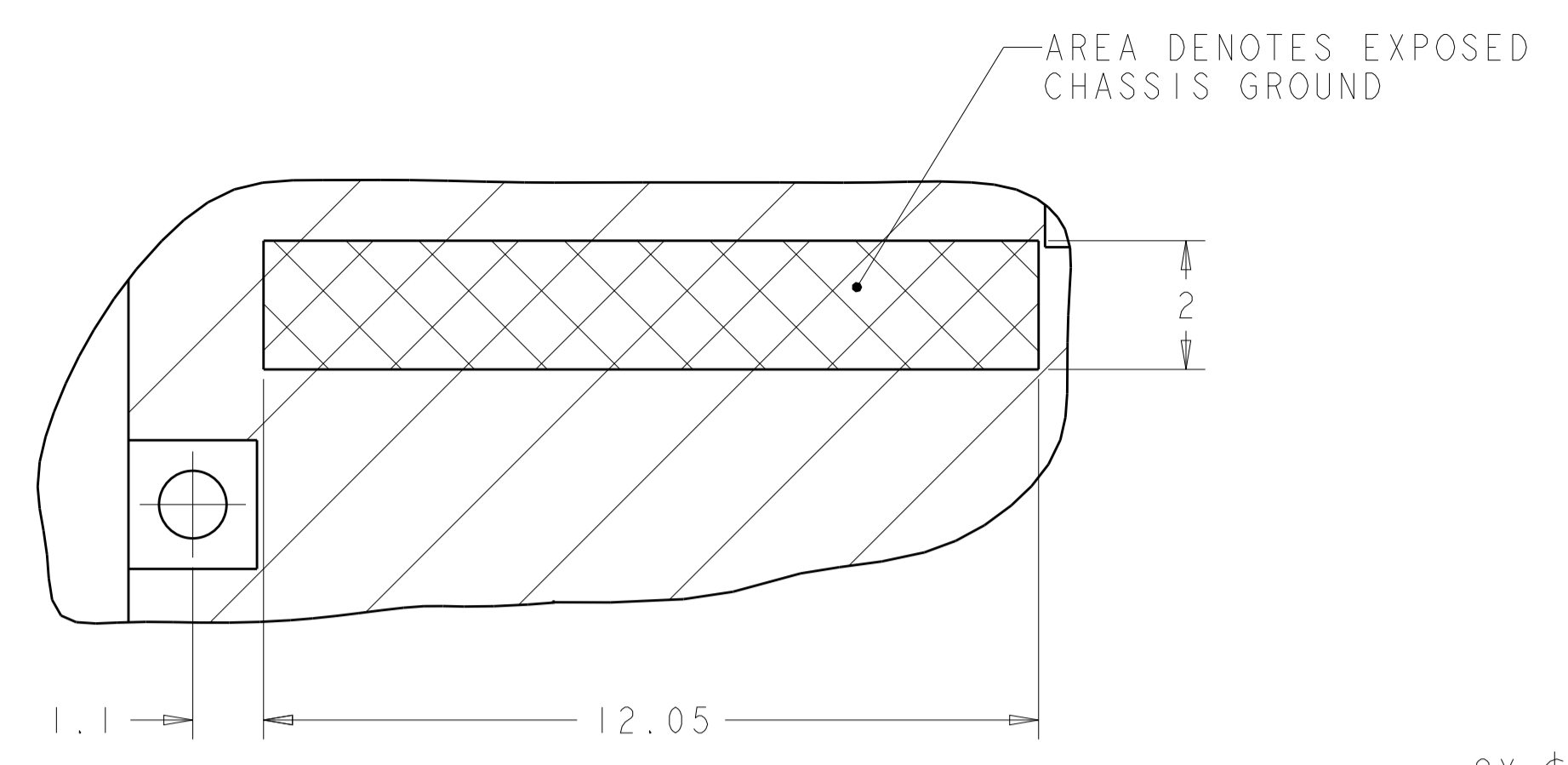


2198234
 MOUNTED BELLY TO BELLY ON PC BOARD
 SHOWN THRU RECOMMENDED BEZEL

THIS DRAWING IS A CONTROLLED DOCUMENT.		DMN B. MATTHEWS 15NOV2011	15NOV2011	TE Connectivity
DIMENSIONS:		CHK M. SCHMITT 15NOV2011	15NOV2011	
mm	TOLERANCES UNLESS OTHERWISE SPECIFIED:	APVD M. SCHMITT 15NOV2011	15NOV2011	NAME SFP+ ENHANCED 1X4 CAGE ASSEMBLY, PRESS FIT, EXTERNAL EMI SPRINGS WITH HEATSINK AND LIGHTPIPE
0 PLC ±0.1 1 PLC ±0.1 2 PLC ±0.1 3 PLC ±0.1 4 PLC ±0.1 ANGLES ±1°	FINISH	PRODUCT SPEC 108-2364 APPLICATION SPEC	SIZE 114-13120	
MATERIAL		WEIGHT	Customer Drawing	RESTRICTED TO A100779C=2198234 SCALE 4:1 SHEET 2 OF 4 REV A1

LOC	DIST	REV	DATE	APPV
GP	00			

REVISIONS				
NO.	DESCRIPTION	DATE	BY	APPV
-	SEE SHEET 1	-	-	-

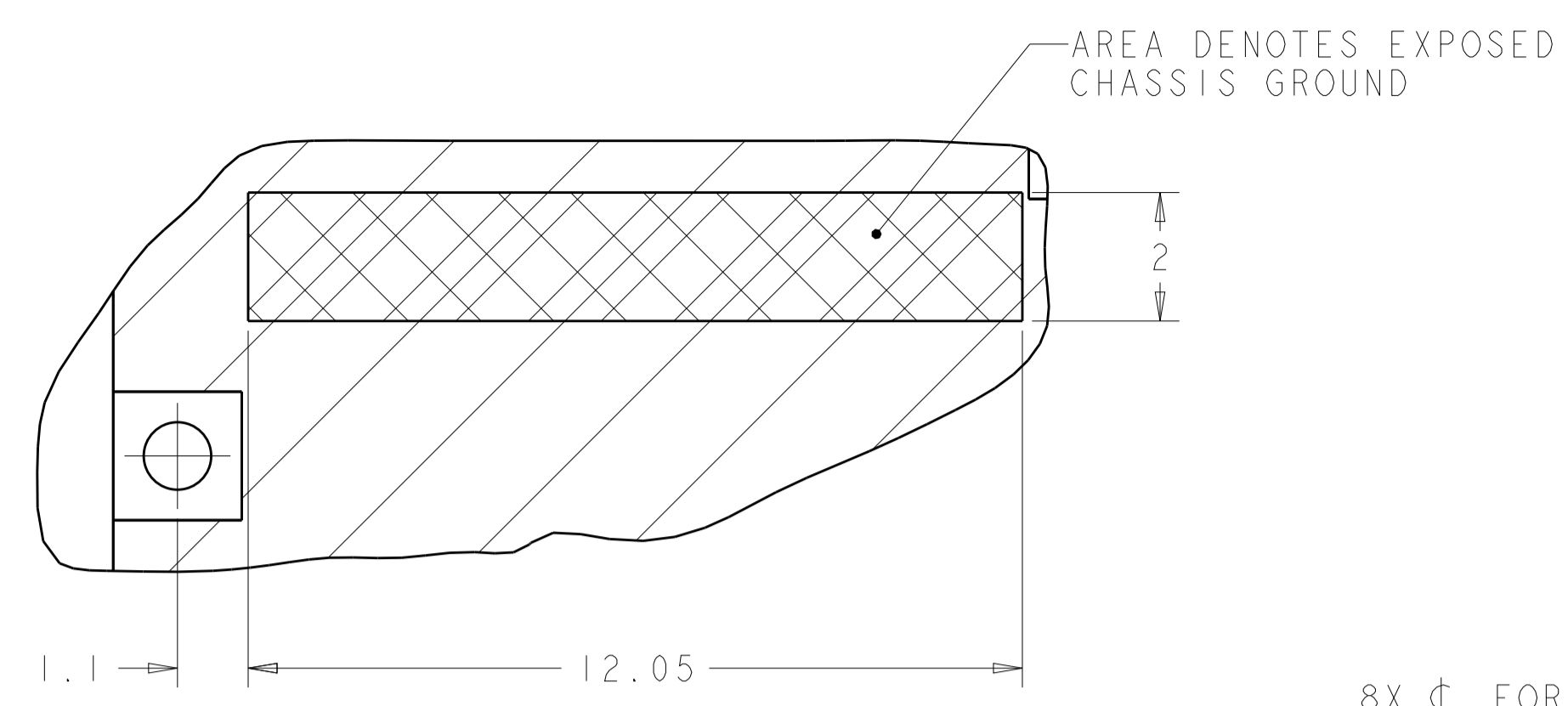


RECOMMENDED PCB CONFIGURATION WITH KEEP-OUT AREAS SINGLE SIDED APPLICATIONS SCALE 5:1

CROSS-HATCHED AREA DENOTES COMPONENT AND TRACE KEEP-OUT (EXCEPT CHASSIS GROUND)

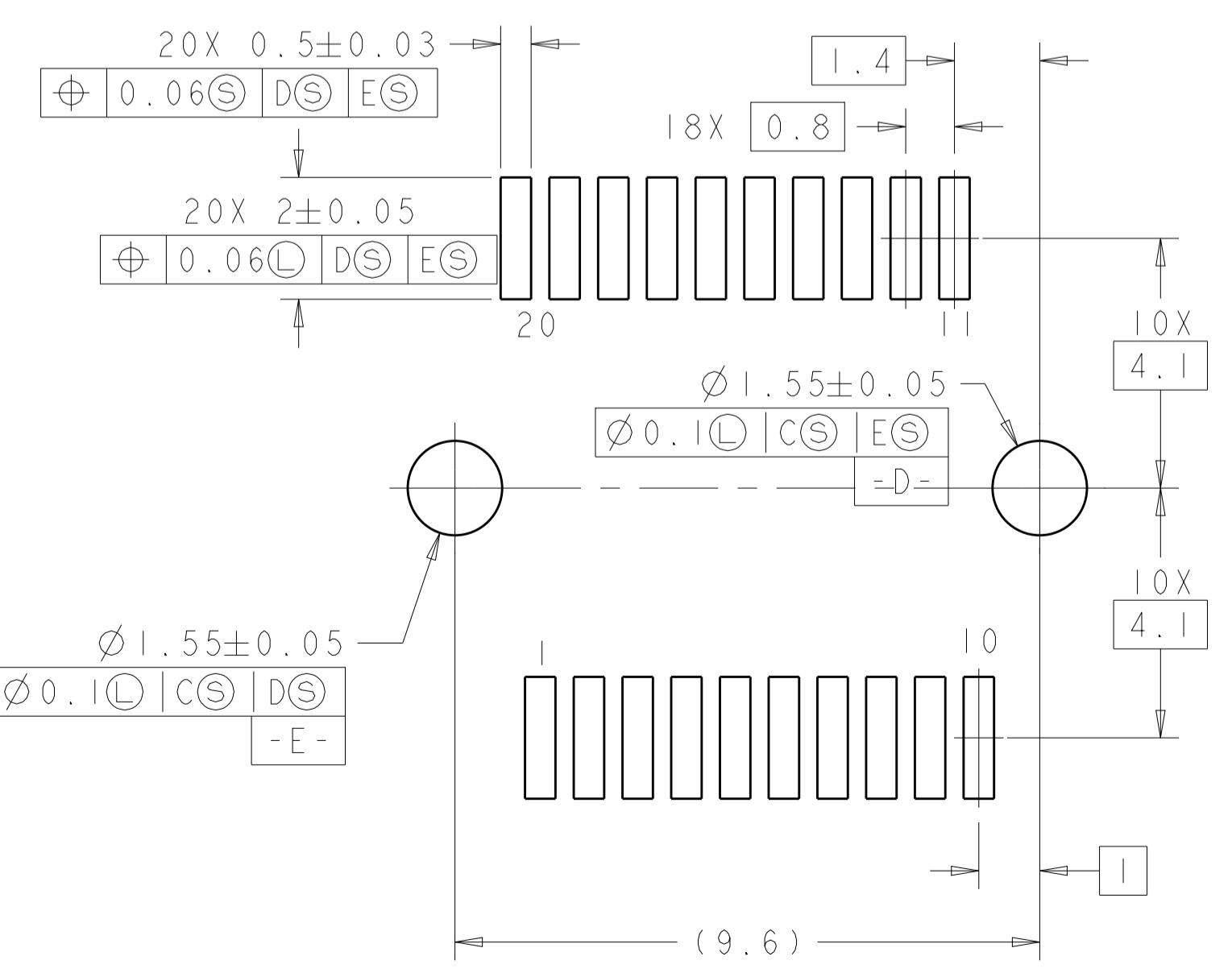
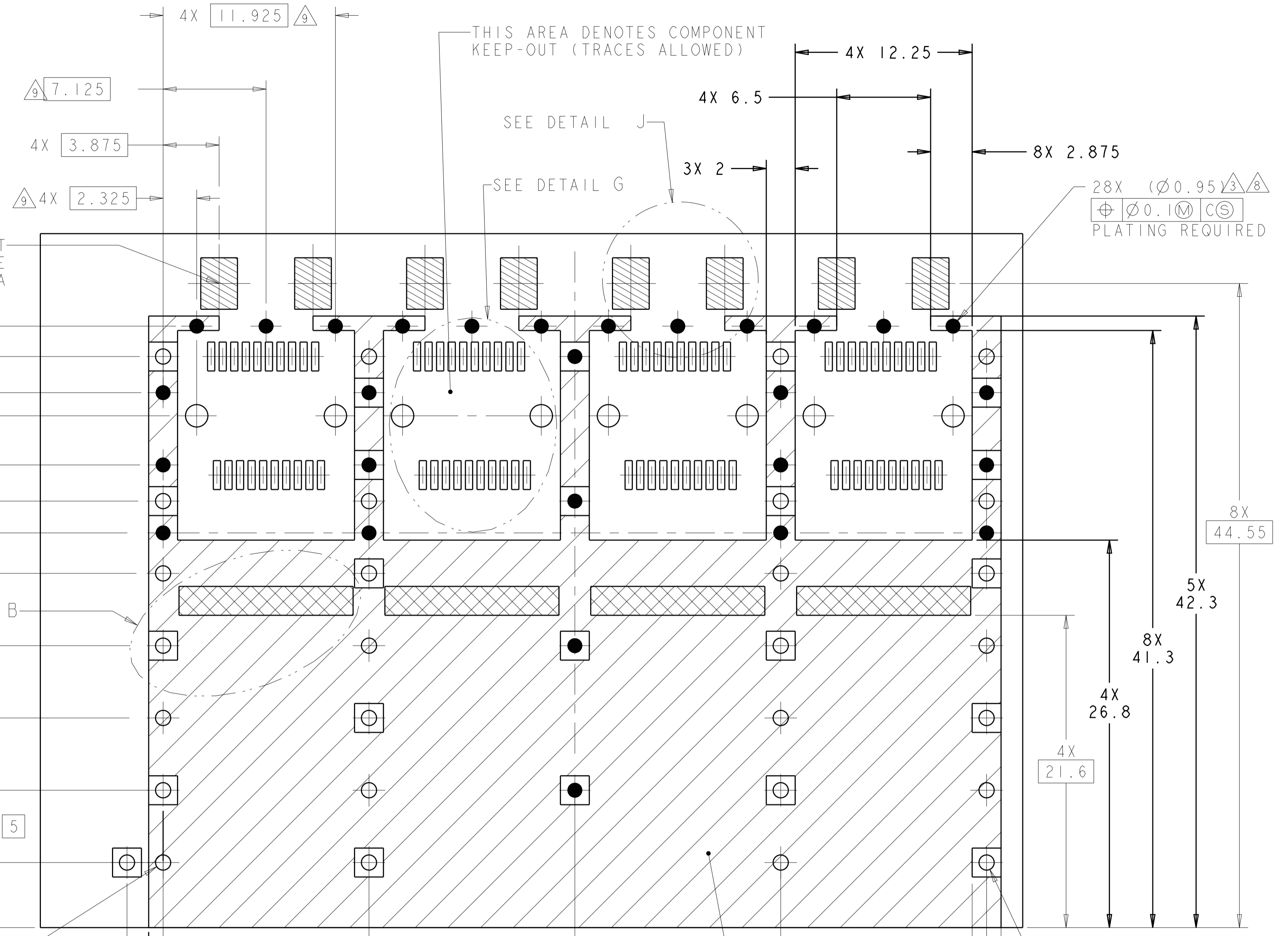
THIS DRAWING IS A CONTROLLED DOCUMENT.		OWN: B. MATTHEWS 15NOV2011	TE Connectivity
DIMENSIONS: mm		CHK: M. SCHMITT 15NOV2011	
TOLERANCES UNLESS OTHERWISE SPECIFIED:		APPV: M. SCHMITT 15NOV2011	NAME: SFP+ ENHANCED 1X4 CAGE ASSEMBLY, PRESS FIT, EXTERNAL EMI SPRINGS WITH HEATSINK AND LIGHTPIPE PRODUCT SPEC: 108-2364 APPLICATION SPEC: 114-13120 SIZE: 114-13120 WEIGHT: - Customer Drawing
0 PLC ±0.1 1 PLC ±0.1 2 PLC ±0.1 3 PLC ±0.1 4 PLC ±0.1 ANGLES ±1°		RESTRICTED TO A100779 ©=2198234 SCALE 4:1 SHEET 3 OF 4 REV A1	

LOC		DIST		REVISIONS				
GP	00	P	LTN	DESCRIPTION	DATE	DMN	APVD	
-	-	-	-	SEE SHEET 1	-	-	-	

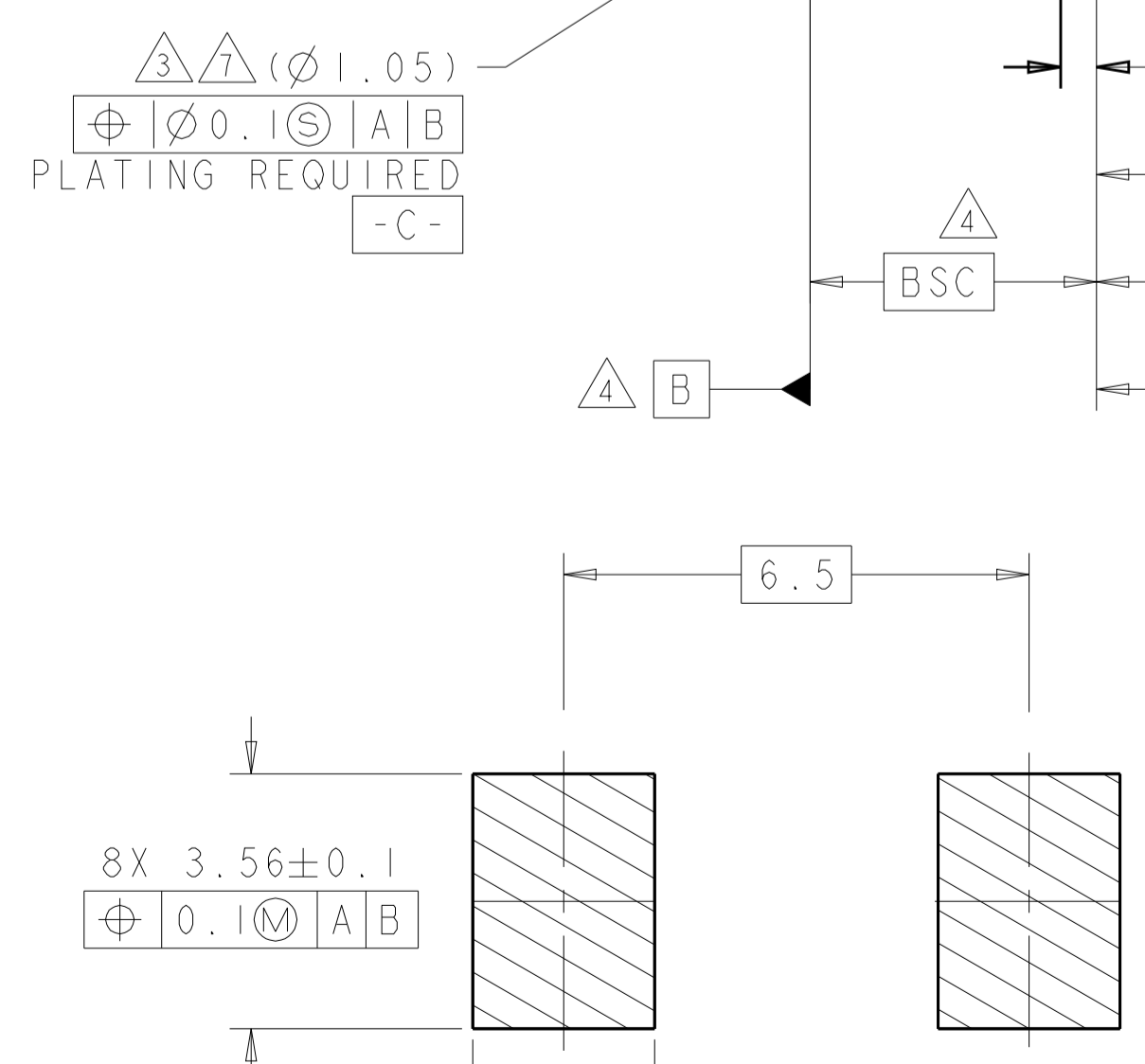


DETAIL B
4X INDIVIDUALLY
SCALE 10:1

8X ϕ FOR LED PLACEMENT AND LIGHT PIPE COVERAGE AREA



DETAIL G
RECOMMENDED PT CONNECTOR LAYOUT
8X INDIVIDUALLY
SCALE 10:1



DETAIL J
SCALE 10:1

THIS DRAWING IS A CONTROLLED DOCUMENT.		DMN B. MATTHEWS 15NOV2011	15NOV2011	TE Connectivity
DIMENSIONS:		CHK M. SCHMITT 15NOV2011	15NOV2011	
mm	TOLERANCES UNLESS OTHERWISE SPECIFIED:	APVD M. SCHMITT 15NOV2011	15NOV2011	NAME SFP+ ENHANCED 1X4 CAGE ASSEMBLY, PRESS FIT, EXTERNAL EMI SPRINGS WITH HEATSINK AND LIGHTPIPE PRODUCT SPEC 108-2364 APPLICATION SPEC 114-13120 WEIGHT - Customer Drawing
	0 PLC ± 0.1	SIZE A100779	DRAWING NO C=2198234	
	1 PLC ± 0.1	RESTRICTED TO		
	2 PLC ± 0.1	SCALE	4:1	
	3 PLC ± 0.1	SHEET	4 OF 4	
	4 PLC ± 0.1	REV	A1	
	ANGLES ± 0.1			