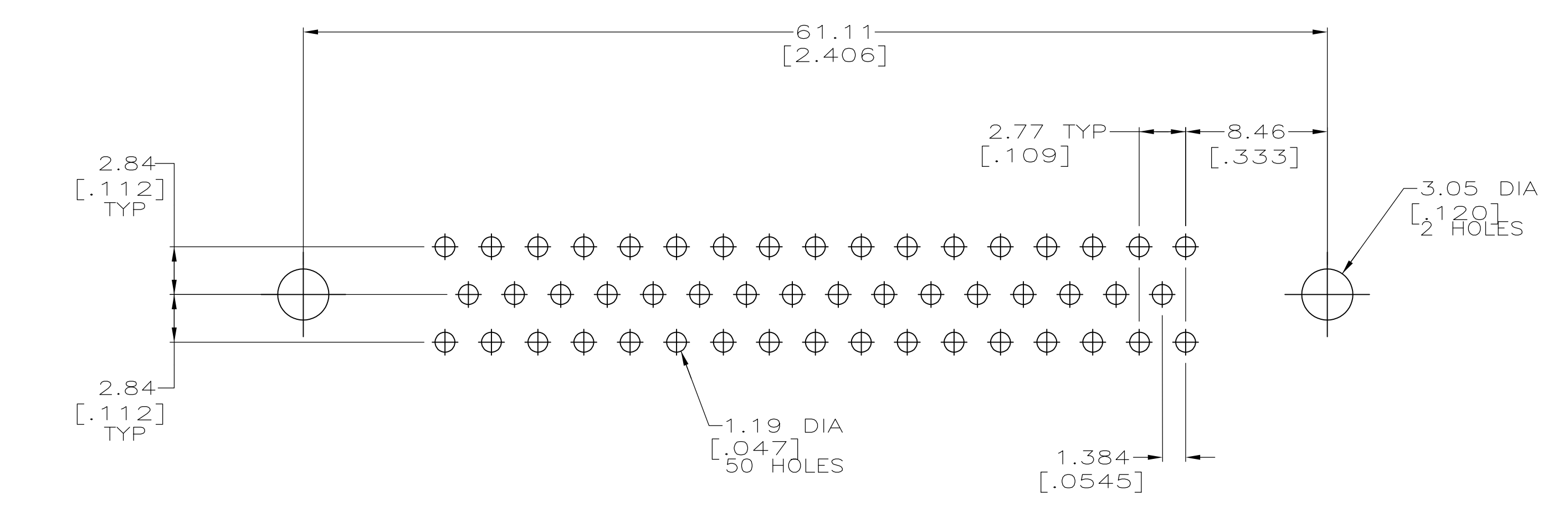
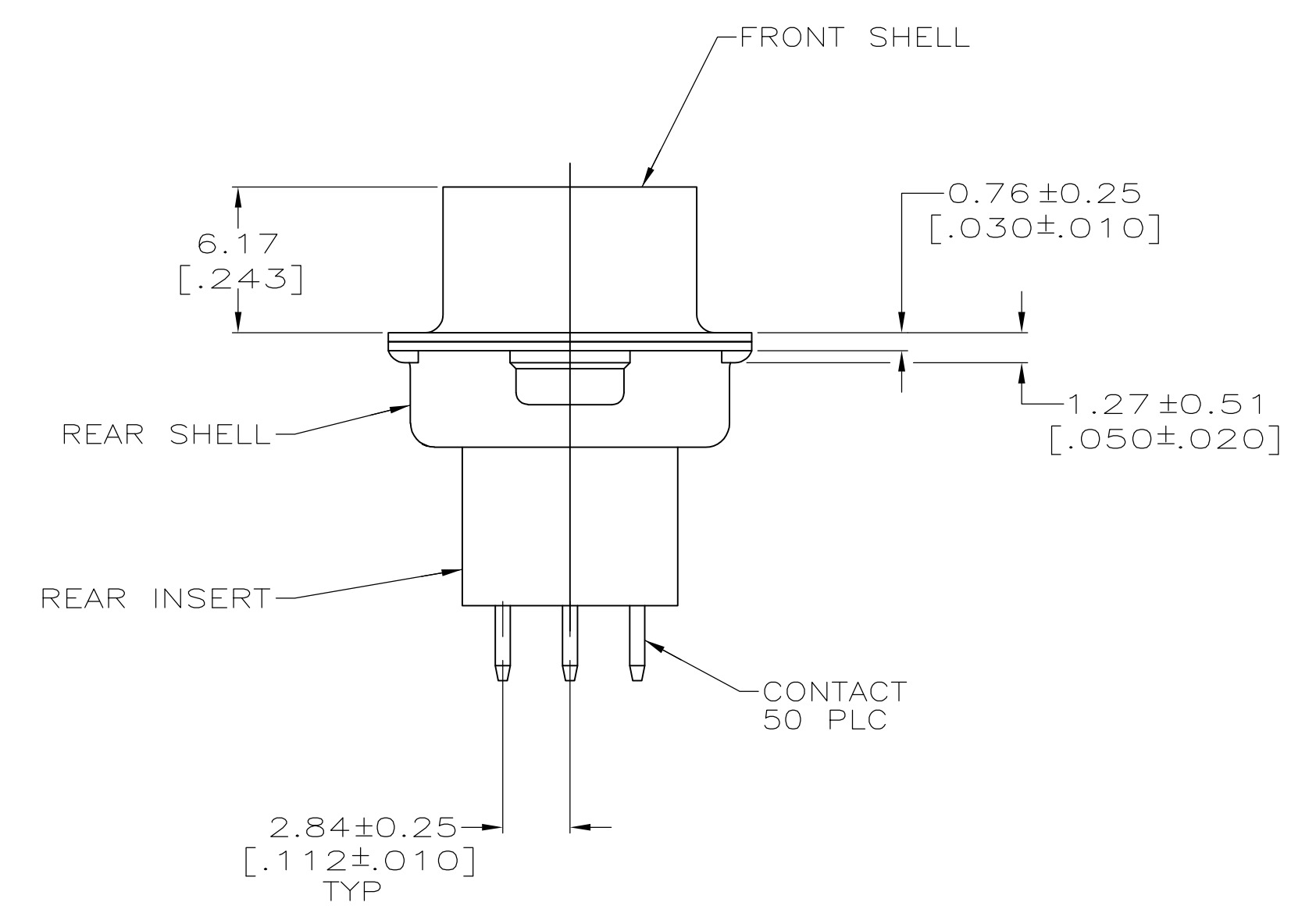
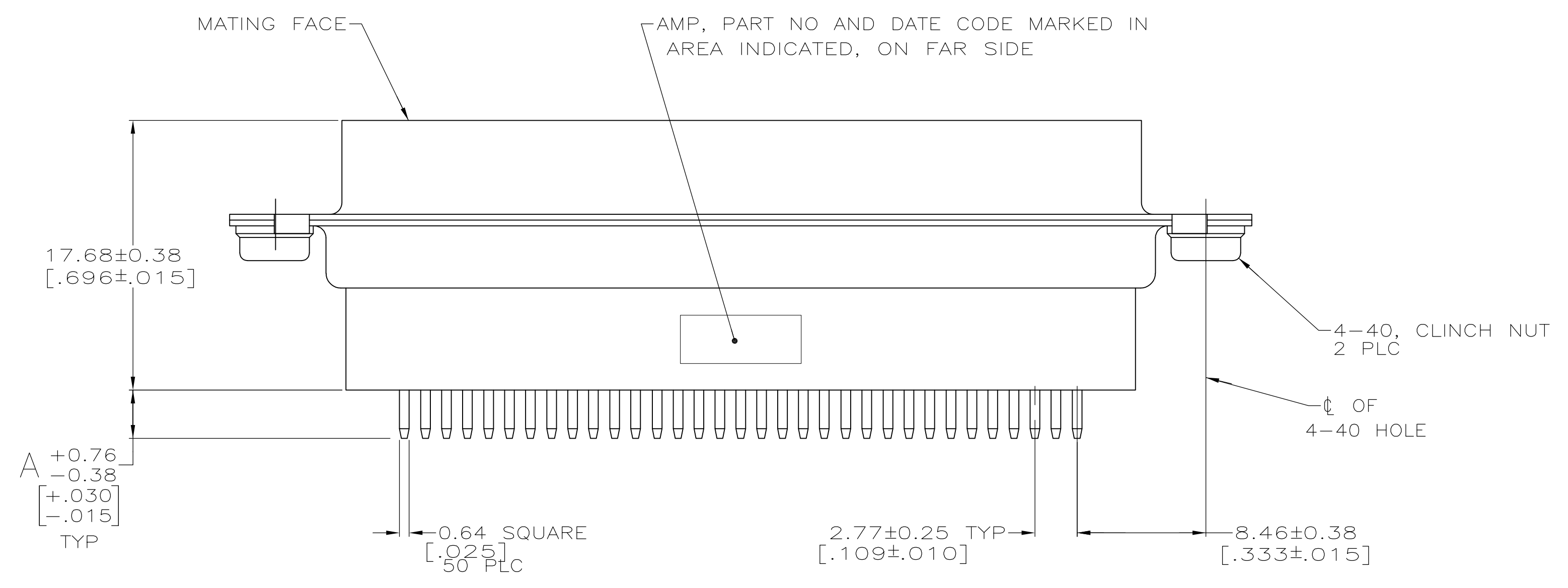


- 1 INSERTS: GLASS-FILLED PBT OR GLASS-FILLED NYLON, UL94V-0 RATED. COLOR: BLACK.
CONTACTS: BRONZE
SHELLS: CARBON STEEL
CLINCH NUT: CARBON STEEL
- 2 GOLD FLASH FOR LENGTH OF 2.54 [.100] MIN FROM MATING END, 2.54µm [.000100] MIN TIN OR TIN-LEAD FOR A LENGTH OF DIMENSION A FROM OPPOSITE END, BOTH OVER 1.27µm [.000050] MIN NICKEL.
- 3 0.76µm [.000030] MIN GOLD FOR LENGTH OF 2.54 [.100] MIN FROM MATING END, 2.54µm [.000100] MIN TIN OR TIN-LEAD FOR A LENGTH OF DIMENSION A FROM OPPOSITE END, BOTH OVER 1.27µm [.000050] MIN NICKEL.
-OR-
GOLD FLASH OVER PALLADIUM-NICKEL, 0.76µm [.000030] MIN TOTAL FOR A LENGTH OF 2.54 [.100] MIN FROM MATING END, 2.54µm [.000100] MIN TIN OR TIN-LEAD FOR A LENGTH OF DIMENSION A FROM OPPOSITE END, BOTH OVER 1.27µm [.000050] MIN NICKEL.
- 4 SHELLS: 5.08µm [.000200] MIN TIN OVER 2.54µm [.000100] MIN COPPER
CLINCH NUT: 5.08µm [.000200] MIN ZINC WITH CLEAR CHROMATE COATING
CONTACTS: SEE TABLE



RECOMMENDED PC BOARD MOUNTING DIMENSIONS

	OBsolete	Dimension A	Contact Finish	Part Number
	4.78 [.188]			747302-8
SUPSPD BY	747302-1	4.78 [.188]		747302-7
	16.54 [.651]			747302-6
	16.54 [.651]			747302-5
	10.85 [.427]			747302-4
	10.85 [.427]			747302-3
SUPSPD BY	747302-1	3.18 [.125]		747302-2
		3.18 [.125]		747302-1

THIS DRAWING IS A CONTROLLED DOCUMENT.

DIMENSIONS: mm [INCHES]	TOLERANCES UNLESS OTHERWISE SPECIFIED:	DIN J McCLINTON 12-6-89	TE Connectivity
0 PLC ± -	1 PLC ± -	2-1-90	
2 PLC ± 0.13 [.005]	3 PLC ± -	2-02-90	
4 PLC ± -	ANGLES ± °		

APPROVED: R. STONE
 PRODUCT SPEC: 108-40025
 APPLICATION SPEC: 114-40013
 MATERIAL: [Symbol] FINISH: [Symbol]
 WEIGHT: - SIZE: A1 CAGE CODE: 00779 DRAWING NO: 747302 RESTRICTED TO: -
 CUSTOMER DRAWING SCALE: 4:1 SHEET: 1 OF 1 REV: J