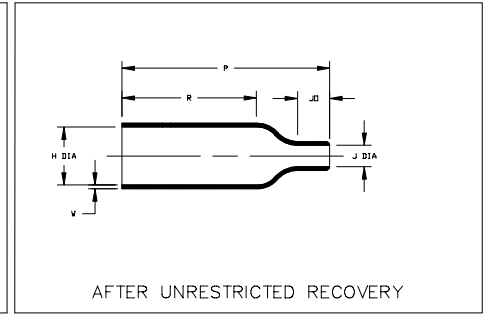
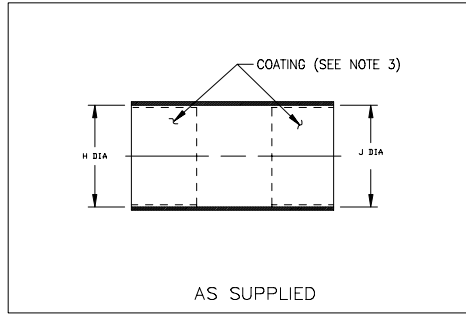


Thermofit Molded Parts  
 Specification Control Drawing  
 Limited Distribution

Part Number : 202A142-X-08  
 Description : Boot, Straight, Overexpanded

NOTES

- All dimensions are in  $\frac{\text{inches}}{\text{[millimeters]}}$
- Dimensions appearing in table are as follows:  
 a - As Supplied  
 b - After Unrestricted Recovery
- Coating is optional. As supplied dimensions appearing in table are for uncoated parts. When coating is added, entry diameters will be reduced by .06 max.



PART NUMBER	H		J		P	R	JO	W
	Min	Max	Min	Max				
	a	b	a	b	b	b	b	b
202A142-X-08	$\frac{1.62}{[41,1]}$	$\frac{.70}{[17,8]}$	$\frac{1.62}{[41,1]}$	$\frac{.29}{[7,4]}$	$\frac{2.63}{[66,8]}$	$\frac{1.40}{[35,6]}$	$\frac{.70}{[17,8]}$	$\frac{.07}{[1,78]}$



RAYCHEM CORPORATION  
 300 CONSTITUTION DRIVE  
 MENLO PARK, CALIFORNIA 94025

Revision : A  
 Date : 7/19/00

Part Number : 202A142-X-08  
 Description : Boot, Straight, Overexpanded

Thermofit Molded Parts  
 Specification Control Drawing  
 Limited Distribution

Part Number : 202A142-X-08  
 Description : Boot, Straight, Overexpanded

COMPATABILITY CHART					
MATERIAL DASH NO.	MATERIAL DESCRIPTION	RT SPEC	COATING SLASH NO.	COATING S NO.	COATING DESCRIPTION
-25	Elastomer, Fluid Resistant	RT-1325	N/A		

ORDERING INFORMATION			
Base part number	202A142	-25	-08 /XX
Material dash number (See Compatability Chart)			
Modification number (If necessary, see front of scd binder for a complete list)			
Adhesive slash number (If necessary, see Compatability Chart)			

If this document is printed it becomes uncontrolled.  
 Check for the latest revision.

THIS DRAWING IS SUBJECT TO CHANGE WITHOUT NOTICE; CONSULT YOUR  
 NEAREST FIELD REPRESENTATIVE FOR CURRENT REVISION



RAYCHEM CORPORATION  
 300 CONSTITUTION DRIVE  
 MENLO PARK, CALIFORNIA 94025

Revision : A  
 Date : 7/19/00

Part Number : 202A142-X-08  
 Description : Boot, Straight, Overexpanded  
 CAD FILE MP00085