

6

5

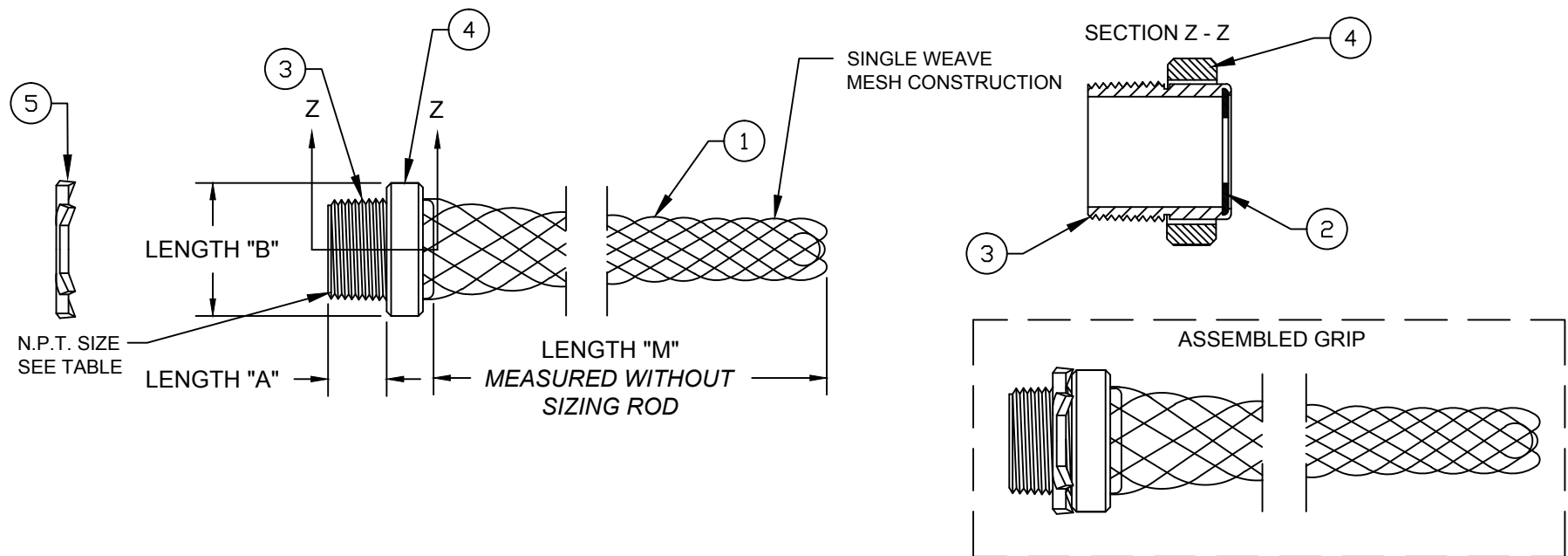
4

3

2

1

CATALOG NUMBER	MATERIAL NUMBER	N.P.T. FITTING SIZE	CABLE RANGE	LENGTH "M"	LENGTH "A" REF.	LENGTH "B" REF.	UL LISTED	CSA APPROVED	PRODUCT SELECTION NUMBER
36502	1300970257	1/2"	.22-.32 / 5.6-8.1	4.750±0.500 / 120.65±12.70	.65 / 16.5	1.05 / 26.7	NO	YES	WRN-022
36504	1300970259	1/2"	.30-.43 / 7.62-10.9	5.000±0.500 / 127.00±12.70	.65 / 16.5	1.05 / 26.7			WRN-030
36506	1300970261	1/2"	.40-.54 / 10.2-13.7	6.000±0.500 / 152.40±12.70	.65 / 16.5	1.05 / 26.7			WRN-040
36509	1300970264	3/4"	.52-.73 / 13.2-18.5	7.500±1.000 / 190.50±25.40	.67 / 17.0	1.31 / 33.3			WRN-052
36513	1300970267	1"	.70-.97 / 17.8-24.6	9.125±1.000 / 231.78±25.40	.82 / 20.8	1.68 / 42.7			WRN-070
36514	1300970268	1-1/4"	.94-1.25 / 23.9-31.8	11.000±1.000 / 279.40±25.40	.85 / 22.0	2.17 / 55.1			WRN-094



ITEM	DESCRIPTION	MATERIAL	RELEASE SALES DRAWING	QUALITY SYMBOLS	GENERAL TOLERANCES (UNLESS SPECIFIED)	DIMENSION STYLE	SCALE	DESIGN UNITS	THIRD ANGLE PROJECTION
1	WIRE MESH	GALVANIZED STEEL	EC NO: IPC2014-2133 DRWN: HRUIZ01 2014/09/19 CHKD: HKNEELAN 2014/09/19 APPR: JFMURPHY 2014/11/18	$\nabla=0$ $\sphericalangle=0$	4 PLACES ±---	INCH/MM	NTS	INCH STRAIN RELIEF DUST-TIGHT WIDE RANGE W/O INSULATED BUSHING MOLEX INCORPORATED	
2	DUST SEAL GASKET	NEOPRENE			3 PLACES ±---	±---	DATE		TITLE MOLEX INCORPORATED
3	THREADED BODY	ALUMINUM			2 PLACES ±.13 ±.010	±---	DATE		
4	OUTER RING	ALUMINUM			1 PLACE ±.25 ±.020	±---	DATE		
5	LOCK NUT	ZINC PLATED STEEL			ANGULAR ±1/2°	±---	DATE		
DRAFT WHERE APPLICABLE MUST REMAIN WITHIN DIMENSIONS					DRAWN BY: HRUIZ01 CHECKED BY: HKNEELAN APPROVED BY: JFMURPHY	DATE: 2014/09/19 DATE: 2014/09/19 DATE: 2014/11/18	MATERIAL NO. SEE TABLE	DOCUMENT NO. SD-130097-003	
					SIZE A	THIS DRAWING CONTAINS INFORMATION THAT IS PROPRIETARY TO MOLEX INCORPORATED AND SHOULD NOT BE USED WITHOUT WRITTEN PERMISSION			

6

5

4

3

2

1