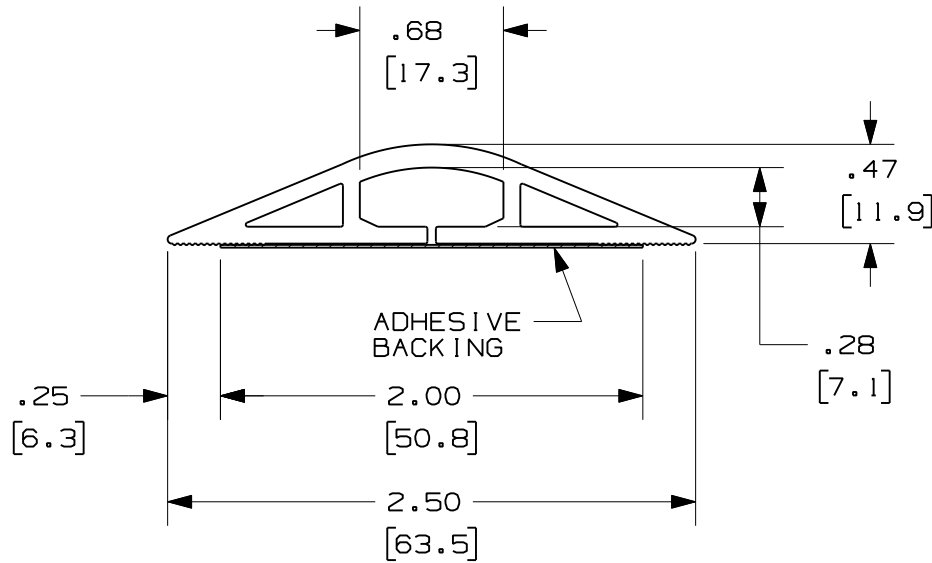


THIS COPY IS PROVIDED ON A RESTRICTED BASIS AND IS NOT TO BE USED IN ANY WAY DETRIMENTAL TO THE INTERESTS OF PANDUIT CORP.

PART NUMBER	LENGTH (MINIMUM)	PACKAGE TYPE	WEIGHT
FG3**5.0-A	5 FEET	COIL	.246 lb/ft [.37 g/mm]
FG3**50.0-A	50 FEET	COIL	.246 lb/ft [.37 g/mm]



**NOTES:**

1. SEE CURRENT CATALOG FOR ADDITIONAL PART NUMBER SUFFIXES TO INDICATE COLOR AND/OR PACKAGE QUANTITY.
2. DIMENSIONS IN PARENTHESIS ARE IN METRIC.
3. NOMINAL WALL THICKNESS IS .08 [2.0]
4. TO APPLY PART:
  - a. CUT FLOORGUARD TO DESIRED LENGTH.
  - b. INSERT WIRES INTO FLOORGUARD.
  - c. APPLY TAPE TO FLOORGUARD. (TAPE IS TO BE CENTRALLY LOCATED ON THE FLOORGUARD AS SHOWN ON THE DRAWING)
  - d. REMOVE RELEASE LINER FROM TAPE AND PLACE FLOORGUARD ON A CLEAN, DRY SURFACE.
  - e. APPLY PRESSURE TO ENTIRE LENGTH OF FLOORGUARD TO OBTAIN MAXIMUM ADHESION.
5. NO WARRANTY, EXPRESSED OR IMPLIED, IS MADE BY PANDUIT WITH RESPECT TO ADHESIVE BOND PERFORMANCE. AMONG OTHER THINGS, THE CONDITIONS UNDER WHICH THESE PRODUCTS MAY BE APPLIED AND/OR THE SURFACE TO WHICH THEY MAY BE APPLIED ARE BEYOND PANDUIT'S CONTROL.

CAD FILENAME/LAYERS 09D054BR\_DC\_FG3/00A

**PANDUIT** CORP TINLEY PARK, ILLINOIS

FLOORGUARD FG3

CUSTOMER DRAWING

UNLESS OTHERWISE SPECIFIED, DIMENSIONAL TOLERANCES ARE:

1.X1 ± .03 [ .8 ]  
1.XX ± .03 [ .8 ]

1.XXX ± .03 [ .8 ]  
ANGLES ±

UNLESS OTHERWISE SPECIFIED, ALL DIMENSIONS ARE GIVEN IN INCHES, THIRD ANGLE PROJECTION

DRAWN BY BDK

MAT'L/COLOR:

SCALE NONE

REV	DATE	BY	CHK	DESCRIPTION	ECN	CHK	CUST	SUP
R	12.29.10	BDK	JBN	RELEASED TO PRODUCTION	09D054BR-DC	PATR	RTF1	

DATE 11.17.10  
CK'D JBN

FLEXIBLE VINYL

DRAWING NO. 09D054BR-DC  
DWG SIZE A