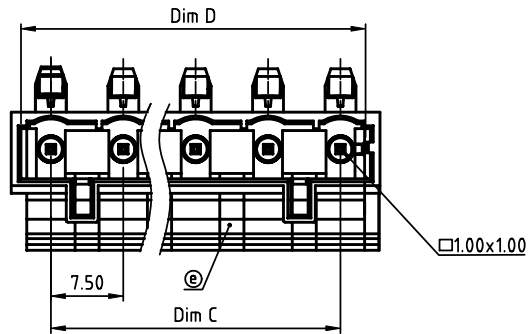


PRODUCT NUMBER	PITCH
NBxxA0x500J0G	7.50 mm

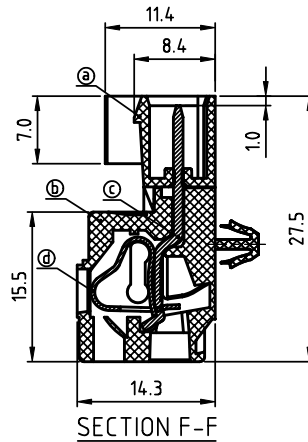
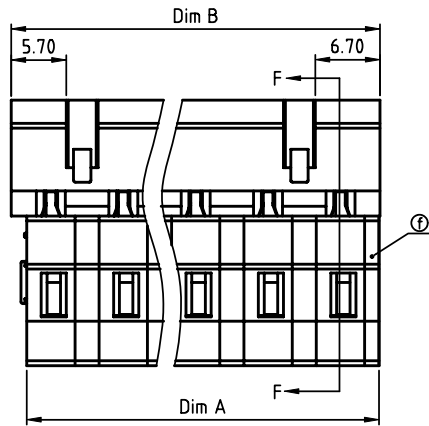
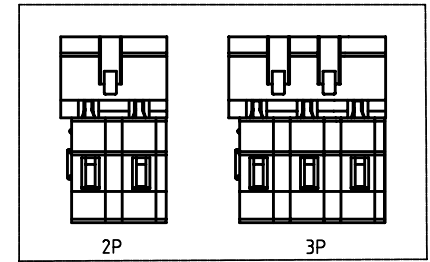


N = Number of poles  
 Dim A=Nx7.5-1.0  
 Dim B=Nx7.5+0.7  
 Dim C=(N-1)x7.5  
 Dim D=(N-1)x7.5+5.7

POLES	Dim A	Dim B	Dim C	Dim D
2-6p	±0.20	±0.20	±0.10	±0.10
7-12p	±0.30	±0.30	±0.20	±0.20
13-16p	±0.40	±0.40	±0.30	±0.30

PART NO.: NB xx A 0 x 5 00J0 G

Solid block	0	Black (RAL9005)	RoHS compliant
No. of poles	2	Red (RAL3001/D)	(lead<4%)
02 2 poles	3	Orange(RAL2011/P)	In copper Alloy
03 3 poles	4	Yellow(RAL1018/A)	
...	5	Green(RAL6018/T)	
...	6	Blue (RAL5015/A)	
16 16 poles	8	Grey(RAL7035/D)	
	9	White(RAL1102)	
	C	Green(RAL6018/U)	

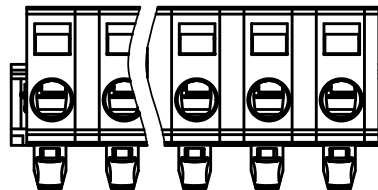


Material:

- ItemⒶTop body: Thermoplastic(UL94 V-0)
- ItemⒷBottom body: Thermoplastic(UL94 V-0)
- ItemⒸMale contact pin: Brass Tin plated
- ItemⒹSpring clamp: Stainless steel
- ItemⒺPad board: Thermoplastic ( UL94V-0 )
- ItemⒻTerminal cover: Thermoplastic ( UL94V-0 )

Electrical cULus

- Voltage rating: 300V
- Current rating: 8A
- Wire range:
- Solid wire(AWG): 12-28
- Stranded wire(AWG): 12-28
- Wire strip length: 8-9mm
- Withstanding Voltage: 1.6KV
- Operating temperature: -40°C to +115°C
- Safety Approval:



mat'l. code		surface ASME Y14.5 ✓	tolerance ASME Y14.5	projection ⊕	product family TERMINAL BLOCK
ltr	ecn no	dr	date	tolerances unless otherwise specified	title TERMINAL BLOCK
				angles ⊕ ⊖	SPRING CLAMP, PLUGGABLE PLUG, MALE CONNECTOR
				X±0.5	SNAP-IN MOUNTING FEET, 100% PROTECTED AGAINST MISMATING
				X.X±0.3	scale MM
				X*±1*	X.XX±0.1
		dr	EVIN ZHONG	051914	FCI
		enr	EVIN ZHONG	051914	dwg no NBxxA0x500J0G
		chr	HANKE FENG	051914	sheet 1 of 1 size A4
		appd	SHI JUN	051914	type CUSTOMER Drawing
sheet index	revision sheet	A	1		