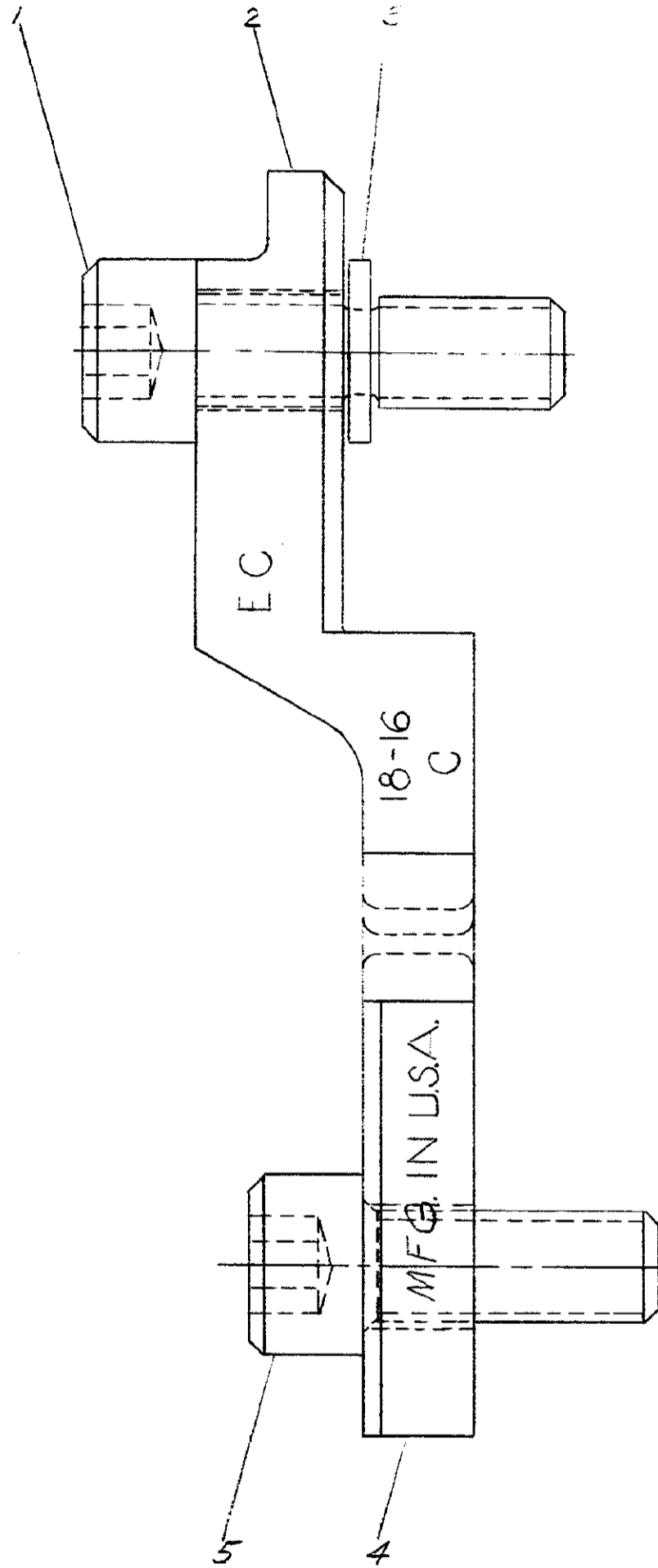
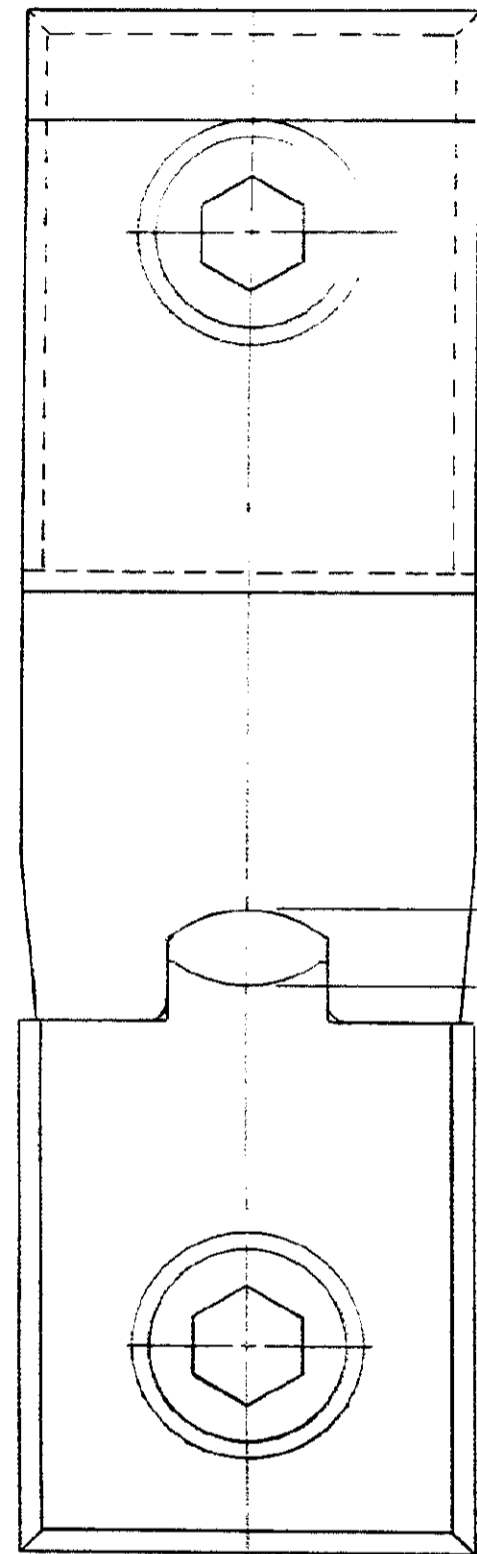
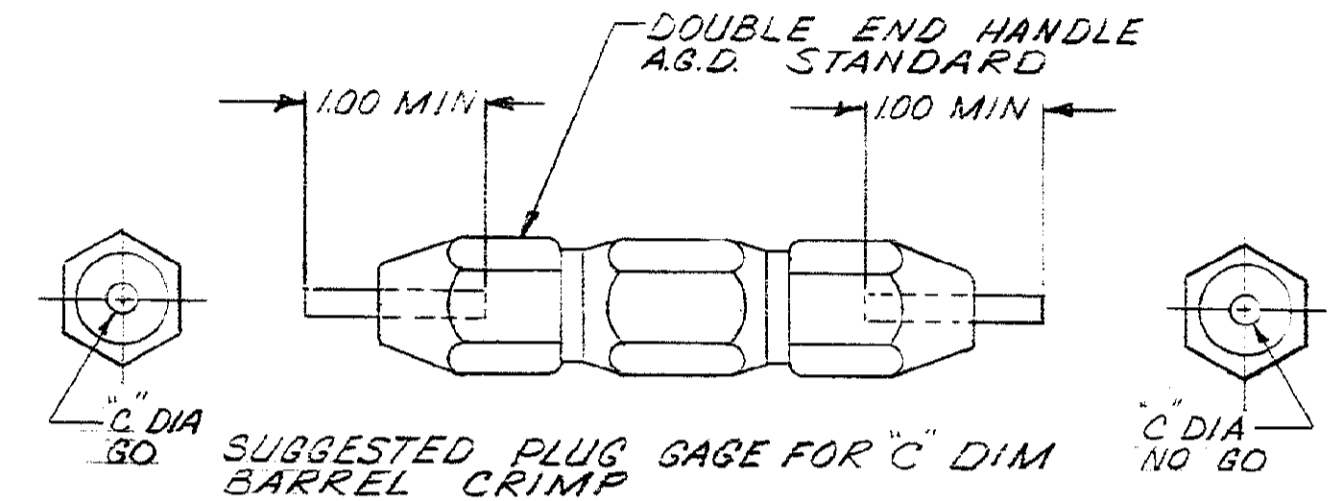


NUMBER 69973



BARREL CRIMP
ENLARGED VIEW OF CRIMP

"C" DIM	NO GO
.105	.111



* ACCESSORIES

SUPERSEDED BY 1.S. 2254

* 1	308163-1	TERMINAL EXTRACTOR	9
* 1	307252-1	STOP TERMINAL, CLOSED END SPLICE	8
* 1	307251-1	STOP TERMINAL, CLOSED END SPLICE	7
* 1	307250-1	HOLDER TOOLING, CLOSED END SPLICE	6
1	3-21000-5	SCREW (10-32 UNF-3A x .500 LG)	5
1	307352-1	ANVIL	4
1	1-21046-3	RING-RETAINING	3
1	307351-1	INDENTER	2
1	1-59781-3	SCREW (10-32 UNF-3A x .625 LG)	1

QTY	DRWG SIZE	NUMBER	NAME	REMARKS	ITEM NO.
1	69973		DIE ASSEMBLY		B

REQUIRED PER ASSEMBLY

©1970 BY AMP INCORPORATED. ALL RIGHTS RESERVED.
AMP PRODUCTS COVERED BY PATENTS AND/OR PATENTS PENDING.

CUSTOMER COPY REFERENCE ONLY

AMP INCORPORATED HARRISBURG, PENNA.

OR B. Shenfeld 2-20-70

MATERIAL AND FINISH +

WIRE - RANGE - INSULATION TYPE 18-16 1 + C - EC

TOLERANCE EXCEPT AS NOTED ± .015 = 1" 0' 4-1 M C 69973

DATE 3-5-73

NAME

DIMENSIONS IN INCHES. DO NOT SCALE PRINT

REV	DESCRIPTION	DATE	BY	CHK
B	SUP'D BY 1.S. 2254		EJF	
A	REVISED			