



Micro Commercial Components



Micro Commercial Components
20736 Marilla Street Chatsworth
CA 91311
Phone: (818) 701-4933
Fax: (818) 701-4939

MMBT4403

PNP General Purpose Amplifier

Features

- Operating and Storage Junction Temperatures: -55°C to 150°C
Capable of 350mWatts of Power Dissipation
Surface Mount SOT-23 Package
Ic=-600mA
Lead Free Finish/RoHS Compliant ("P" Suffix designates RoHS Compliant. See ordering information)
Epoxy meets UL 94 V-0 flammability rating
Moisure Sensitivity Level 1
Marking:2T/M3A
Halogen free available upon request by adding suffix "-HF"

Electrical Characteristics @ 25°C Unless Otherwise Specified

Table with 5 columns: Symbol, Parameter, Min, Max, Units. Rows include OFF CHARACTERISTICS like V(BR)CEO, V(BR)CBO, V(BR)EBO, IBL, ICEX.

ON CHARACTERISTICS

Table with 5 columns: Symbol, Parameter, Min, Max, Units. Rows include hFE, VCE(sat), VBE(sat).

SMALL-SIGNAL CHARACTERISTICS

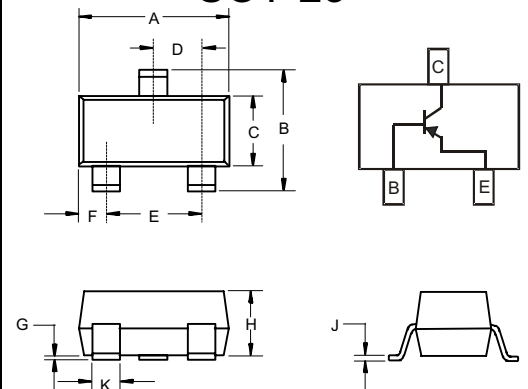
Table with 5 columns: Symbol, Parameter, Min, Max, Units. Rows include fT, Ccb, Ceb.

SWITCHING CHARACTERISTICS

Table with 5 columns: Symbol, Parameter, Conditions, Min, Max, Units. Rows include td, tr, ts, tf.

*Pulse Width ≤ 300µs, Duty Cycle ≤ 2.0%

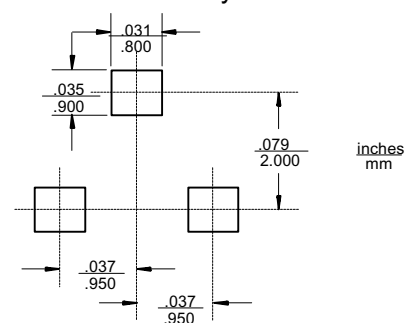
SOT-23



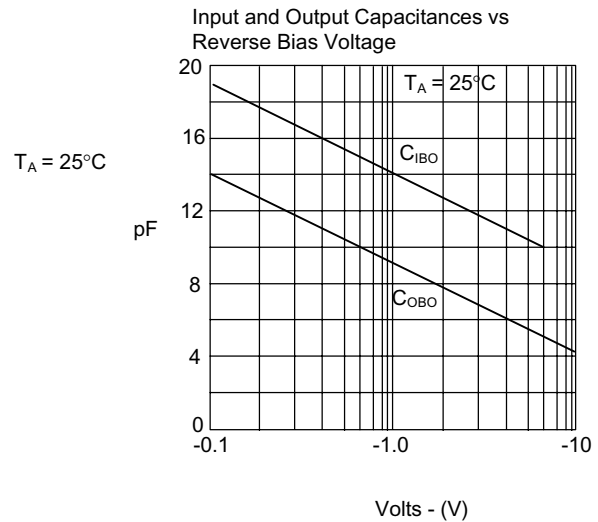
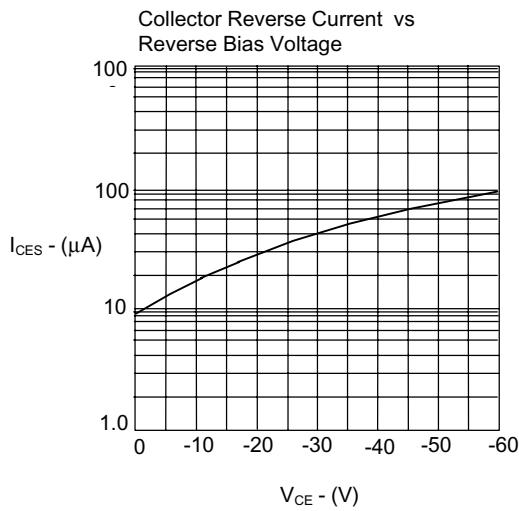
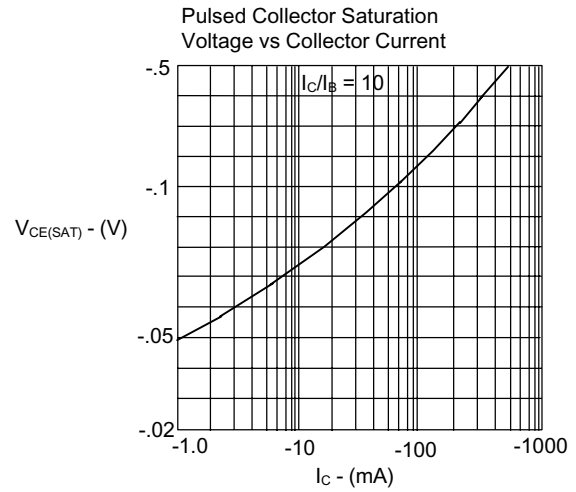
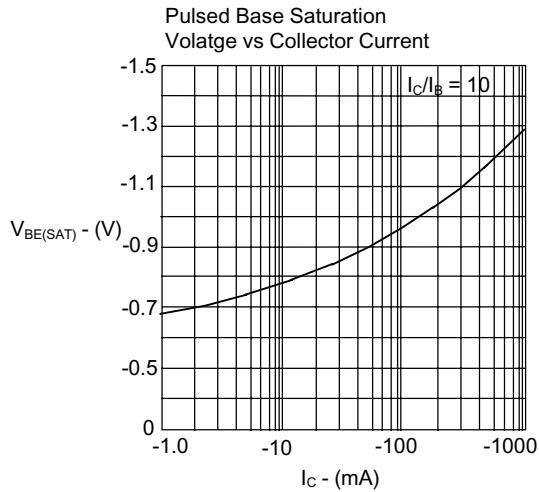
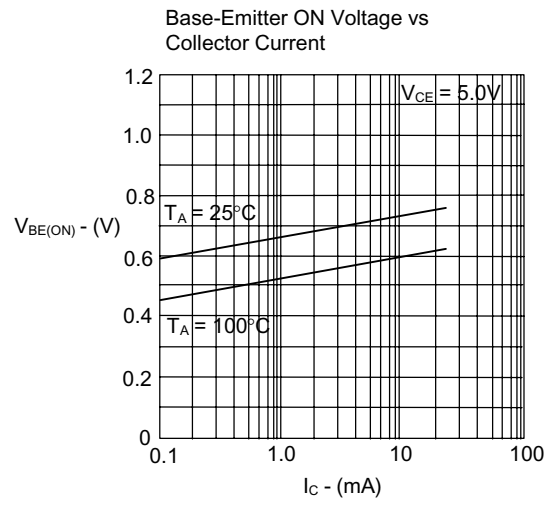
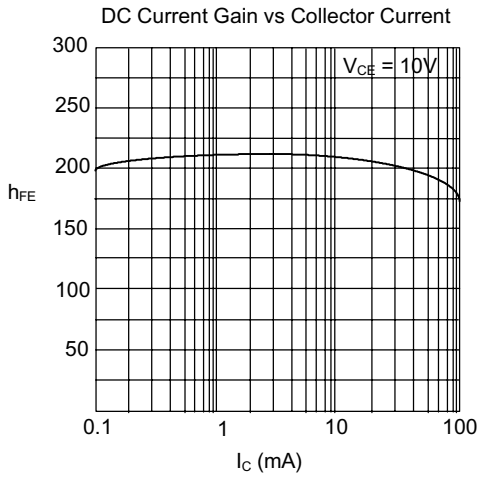
DIMENSIONS

Table with columns: DIM, INCHES (MIN, MAX), MM (MIN, MAX), NOTE. Rows A through K.

Suggested Solder Pad Layout



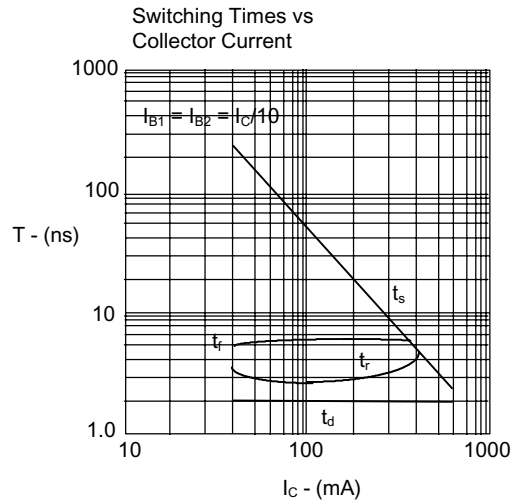
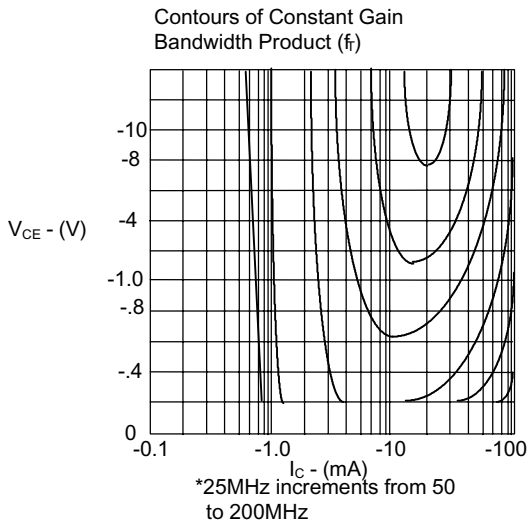
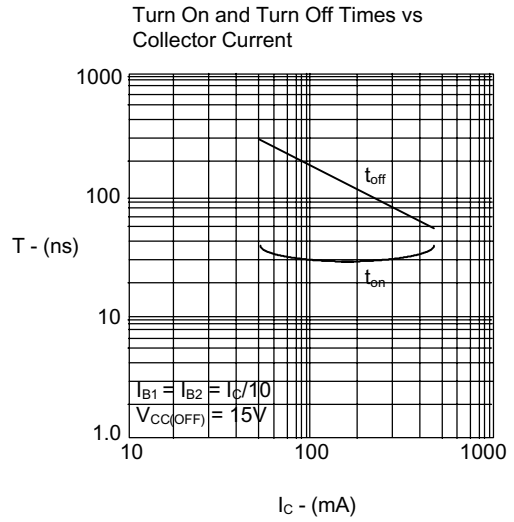
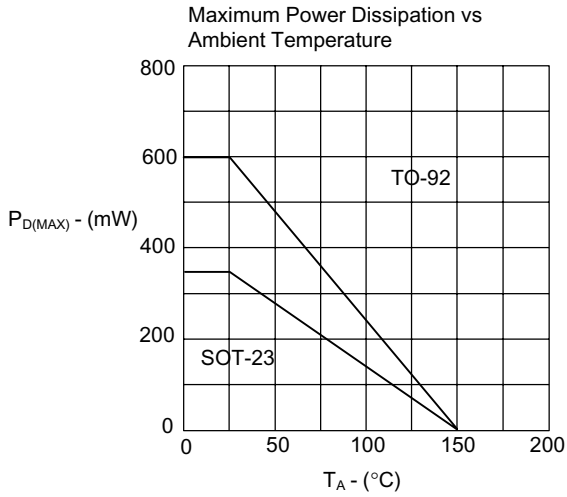
MMBT4403



MMBT4403



Micro Commercial Components





Micro Commercial Components

Ordering Information :

Device	Packing
Part Number-TP	Tape&Reel; 3Kpcs/Reel

Note : Adding "-HF" suffix for halogen free, eg. Part Number-TP-HF

IMPORTANT NOTICE

Micro Commercial Components Corp. reserves the right to make changes without further notice to any product herein to make corrections, modifications, enhancements, improvements, or other changes. **Micro Commercial Components Corp.** does not assume any liability arising out of the application or use of any product described herein; neither does it convey any license under its patent rights, nor the rights of others. The user of products in such applications shall assume all risks of such use and will agree to hold **Micro Commercial Components Corp.** and all the companies whose products are represented on our website, harmless against all damages.

LIFE SUPPORT

MCC's products are not authorized for use as critical components in life support devices or systems without the express written approval of Micro Commercial Components Corporation.

CUSTOMER AWARENESS

Counterfeiting of semiconductor parts is a growing problem in the industry. Micro Commercial Components (MCC) is taking strong measures to protect ourselves and our customers from the proliferation of counterfeit parts. MCC strongly encourages customers to purchase MCC parts either directly from MCC or from Authorized MCC Distributors who are listed by country on our web page cited below. Products customers buy either from MCC directly or from Authorized MCC Distributors are genuine parts, have full traceability, meet MCC's quality standards for handling and storage. **MCC will not provide any warranty coverage or other assistance for parts bought from Unauthorized Sources.** MCC is committed to combat this global problem and encourage our customers to do their part in stopping this practice by buying direct or from authorized distributors.

www.mccsemi.com