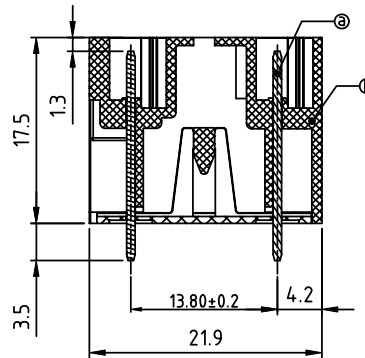
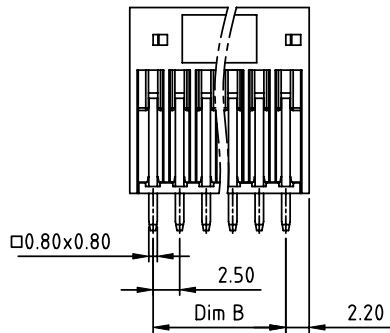
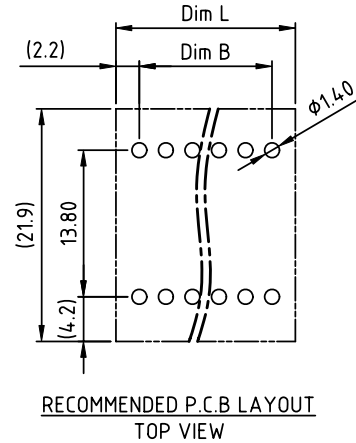
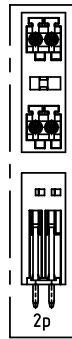
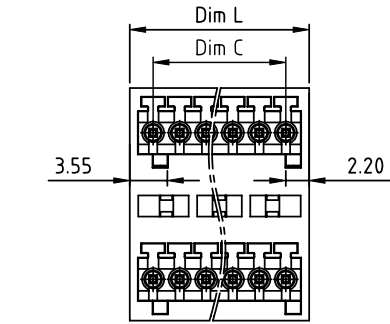


|                |         |
|----------------|---------|
| PRODUCT NUMBER | PITCH   |
| VLxxB1x000J0G  | 2.50 mm |



Material

- Item A Pin: Copper With Tin plated
- Item B Terminal (housing): Thermoplastic (UL94V-0)

Electrical cULus

- Voltage rating: 125V
- Current rating: 4A
- Withstanding Voltage: 1.25KV
- Operating temperature: -40°C to +115°C
- Soldering temperature: 260°C±5°C/5 Sec
- Safety Approval: cULus

N=Number of poles

|       |                        |
|-------|------------------------|
| DIM L | $N/2 \times 2.5 + 1.9$ |
| DIM B | $(N/2 - 1) \times 2.5$ |
| DIM C | $(N/2 - 1) \times 2.5$ |

| Poles   | Tolerance |
|---------|-----------|
| 2p-5p   | ±0.10     |
| 6p-10p  | ±0.15     |
| 11p-15p | ±0.20     |
| 16p-20p | ±0.25     |
| 21p-24p | ±0.30     |

PART NO.: VL xx B 1 x 0 00J0 G

|              | Color               | RoHS compliant  |
|--------------|---------------------|-----------------|
| Solid block  | 0 Black (RAL9005)   | (lead<4%)       |
| No. of poles | 2 Red (RAL3001/D)   | In copper Alloy |
| 04 2x2poles  | 3 Orange(RAL2011/P) |                 |
| 06 2x3poles  | 4 Yellow(RAL1018/A) |                 |
| ... ..       | 5 Green(RAL6018/T)  |                 |
| 48 2x24poles | 6 Blue (RAL5015/A)  |                 |
|              | 8 Grey(RAL7035/D)   |                 |
|              | 9 White(RAL1102)    |                 |
|              | C Green(RAL6018/U)  |                 |

|             |                |                       |                         |            |                                                       |
|-------------|----------------|-----------------------|-------------------------|------------|-------------------------------------------------------|
| mat'l. code |                | surface<br>ASME Y14.5 | tolerance<br>ASME Y14.5 | projection | product family<br>TERMINAL BLOCK                      |
| ltr         | ecn no         | dr                    | date                    |            | title<br>TERMINAL BLOCK<br>PLUGGABLE SOCKET, VERTICAL |
|             |                |                       |                         |            |                                                       |
|             |                | angles                | $X \pm 0.5$             | MM         | scale                                                 |
|             |                | $X' \pm 1"$           | $X.X \pm 0.3$           |            |                                                       |
|             |                | dr                    | EVIN ZHONG 042514       |            | dwg no<br>VLxxB1x000J0G<br>sheet 1 of 1 size<br>A4    |
|             |                | enr                   | EVIN ZHONG 042514       |            |                                                       |
|             |                | chr                   | HANKE FENG 042514       |            |                                                       |
|             |                | appd                  | HI JUN 042514           |            | type<br>CUSTOMER Drawing                              |
| sheet index | revision sheet | A                     | 1                       |            |                                                       |