

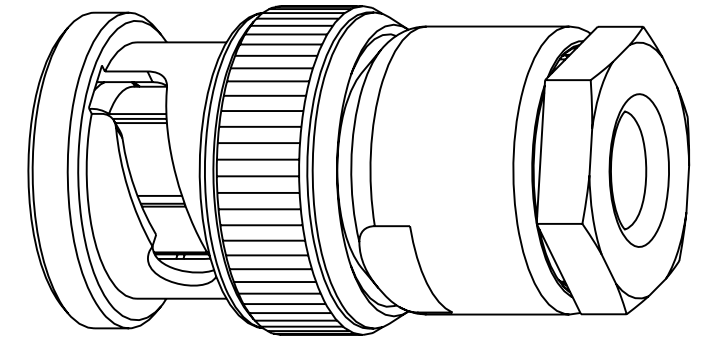
NOTES:

1. MATERIALS AND FINISHES:  
 BODY-BRASS, NICKEL PLATING  
 CONTACT- BRASS, SILVER PLATING  
 INSULATOR - PTFE
2. ELECTRICAL:  
 A. IMPEDANCE: 50 OHM  
 B. DIELECTRIC WITHSTANDING VOLTAGE: 1500 VRMS, MIN.
3. MECHANICAL:  
 A. DURABILITY: 500 CYCLES MIN.  
 B. TEMPERATURE RANGE: -65° C TO +165° C
4. PACKAGING:  
 A. QUANTITY: SINGLE PACK  
 B. MARKING: BAG TO BE MARKED  
 "AMPHENOL RF, 31-30220-1, AND DATE CODE"
5. SHOWS CABLE ENTRY DIMENSIONS.
6. CUSTOMER NOTE: WHEN CRIMPING CONTACT TO CABLE, CRIMP USING AMPHENOL TOOL FRAME 227-944 WITH 227-973 DIE SET.

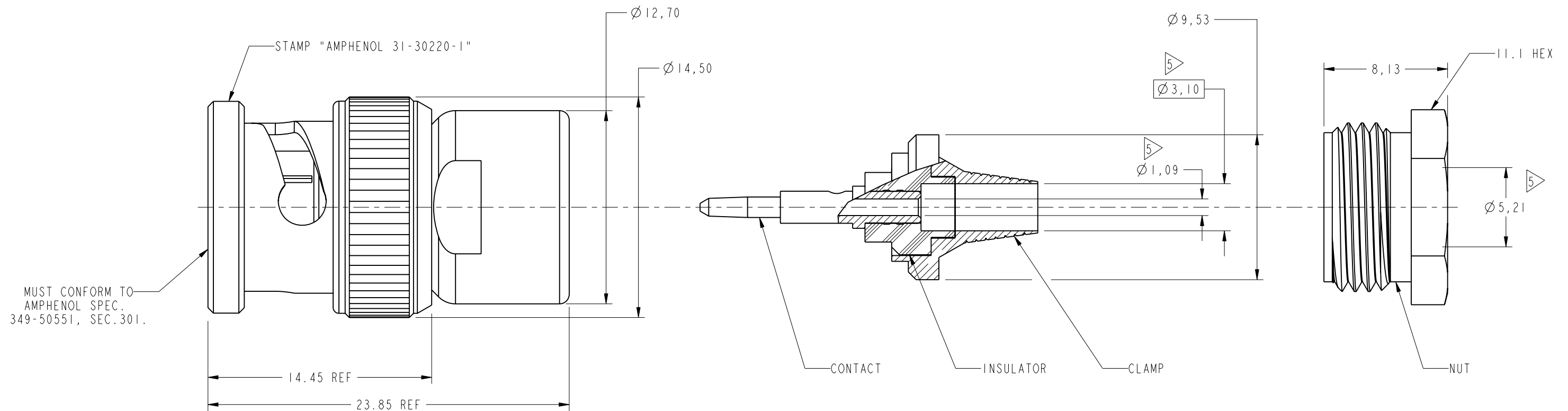
THIRD ANGLE PROJ.

REVISIONS

REV	DESCRIPTION	DATE	ECO	APPR
A	RELEASE TO MFG	--	--	
B	SEE SHEET 1	04-Mar-08	--	AW
AU	SEE SHEET 1	03-Nov-09	47700	SH



SCALE 3.000



**CUSTOMER OUTLINE DRAWING**  
 ALL OTHER SHEETS ARE FOR INTERNAL USE ONLY

UNLESS OTHERWISE SPECIFIED, DIMENSIONS ARE IN METRIC AND TOLERANCES ARE: < 0.5mm ± 0.05mm    0.5 - 6mm ± 0.1mm    6 - 30mm ± 0.2mm    30 - 120mm ± 0.3mm    ANGLES ± 1°	MATERIAL SEE NOTES	DRAWN T.DENG DATE 03-Nov-09	TITLE BNC PLUG SQ. CUT (FOR RG-58/U CABLE)	Amphenol RF Danbury CT USA, Tainan, Taiwan, Shenzhen, China www.amphenolrf.com
	NOTICE - These drawings, specifications, or other data (1) are, and remain the property of Amphenol corp. (2) must be returned upon request; and (3) are confidential and not to be disclosed to any person other than those to whom they are given by Amphenol Corp. the furnishing of these drawings, specifications, or other data by Amphenol Corp., or to any other person to anyone for any purpose is not to be regarded by implication or otherwise in any manner licensing, granting rights to permitting such holder or any other sperson to manufacture, use or sell any product, process or design, patented or otherwise, that may in any way be related to or disclosed by said drawings, specifications, or other data.	REFERENCE EAR #		
	CONFIGURATION LEVEL: Prototype	APPROVED S.HSIEH DATE 03-Nov-09	SCALE: 3.8:1.0    SHEET 2 OF 2	ITEM NO. 31-30220-1
	FINISH	CAD FILE Root Folder/BNC/31-30220-1	DWG SIZE B	REV AU
				PART NO. 31-30220-1