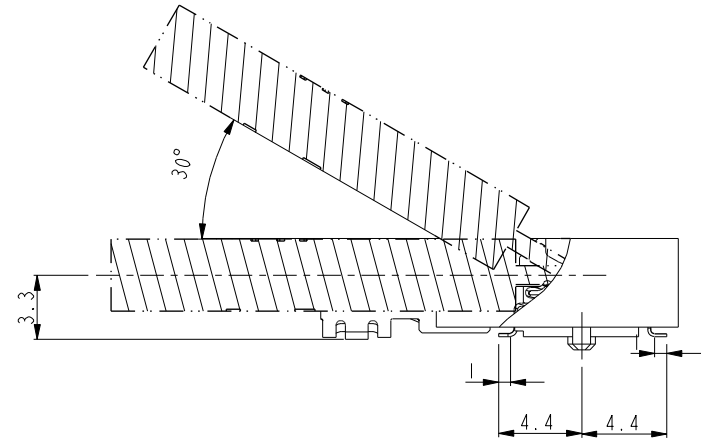
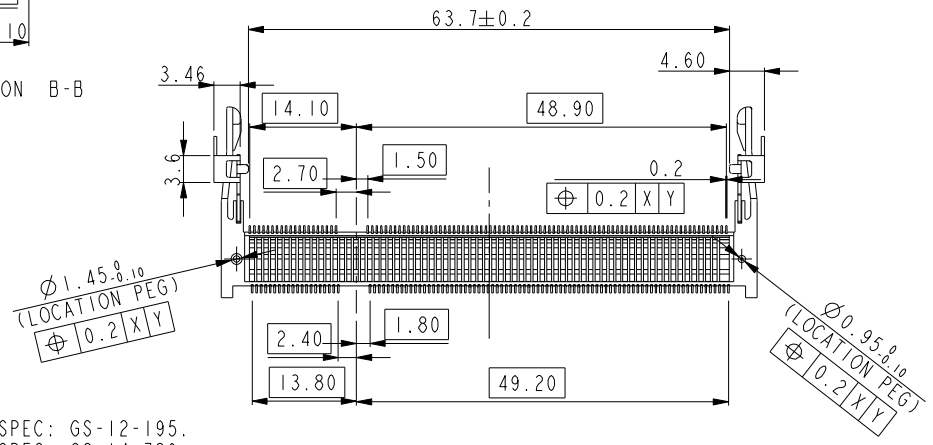
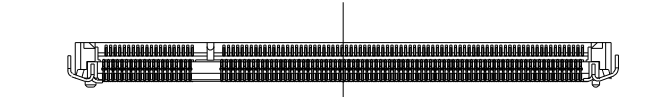
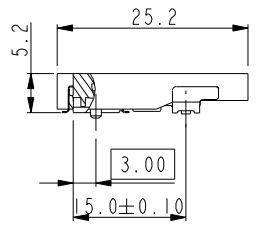
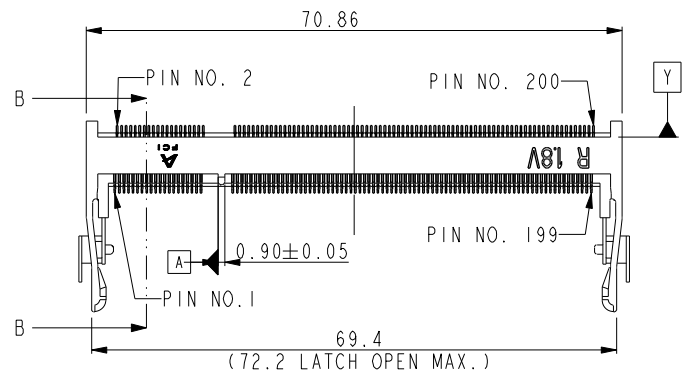




Copyright FCI.



- NOTE:
1. PRODUCT SPEC: GS-12-195.
 2. PACKAGE SPEC: GS-14-786.
 3. MATERIAL
HOUSING: LCP, UL94V-0, BLACK COLOR.
CONTACT: COPPER ALLOY
HOLDDOWN: BRASS
 4. FINISH
TERMINAL :SEE TABLE
HOLDDOWN: SEE TABLE
 5. COPLANARITY: 0.1MAX. (INCLUDING HOLDDOWN)
 6. THIS PRODUCT MEETS EUROPEAN UNION DIRECTIVES AND OTHER COUNTRY REGULATIONS AS DESCRIBED IN GS-22-008.
 7. THE HOUSING WILL WITHSTAND EXPOSE TO 260° PEAK TEMPERATURE FOR 10 SECENDS IN WAVE SOLDER APPLICATION.
 8. A Δ SYMBOL WILL BE NEXT TO ANY DIMENSION, VIEW, OR NOTE WHICH HAS BEEN MODIFIED WITH THE CURRENT DRAWING REVISION.

rev	ecn no	dr	date
A	DG08-0107	J W	05/05/08
B	DG08-0204	B L	09/09/08

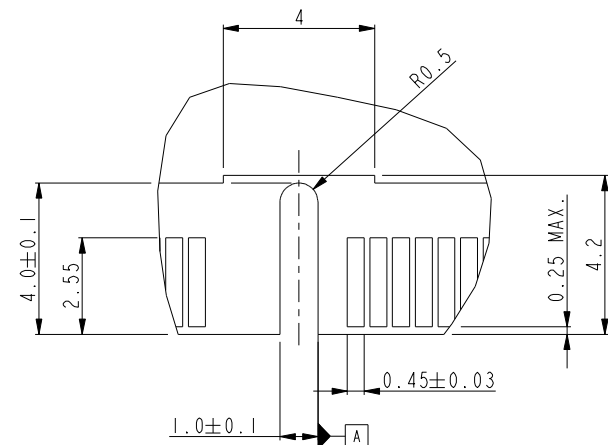
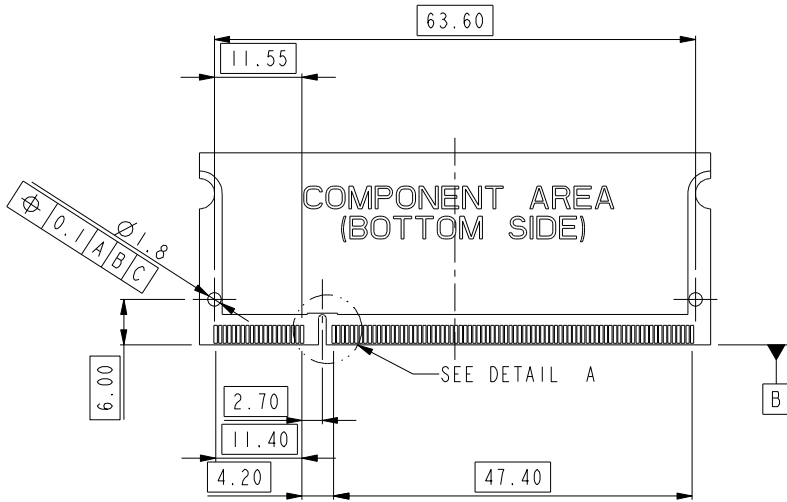
www.fciconnect.com			surface <input checked="" type="checkbox"/>	tolerance std	projection	MM
TOLERANCES UNLESS OTHERWISE SPECIFIED			ANGULAR	LINEAR	size	Scale
Dr	JULIA WANG	05/05/08	0° ± 2°	0.X ± 0.3	A4	1.000
Eng	JULIA WANG	05/05/08		0.XX ± 0.10	ECN	DG08-0204
Chr	GARY HSIEH	05/05/08		0.XXX ± 0.05	Spec ref	*
Appr	JOSEPH HSIA	05/05/08	Product family			
FCI			title		dwg no	Rev.
			DDR2 0.6mm PITCH 200 POS.		10086891	B
			REVERSE TYPE ASS'Y		CUSTOMER	sheet 1 of 4
			catalog no			

REV F - 2006-04-17

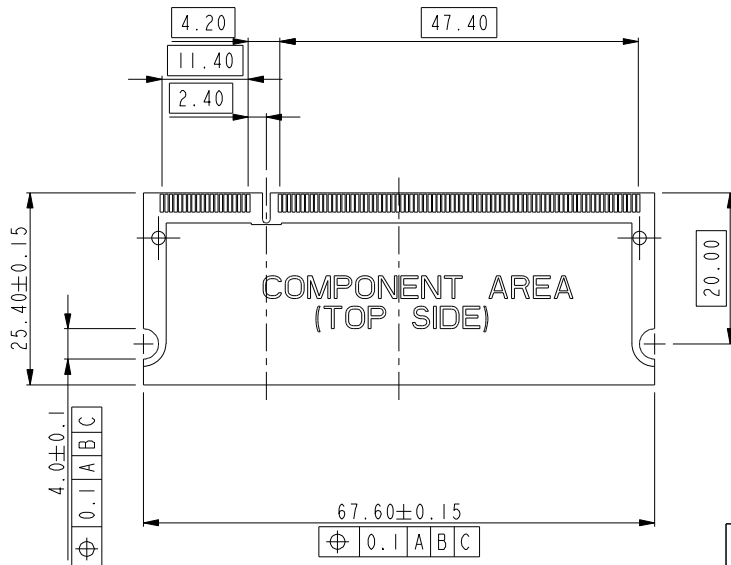
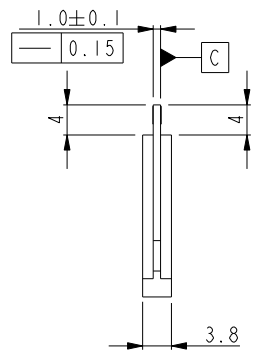


Copyright FCI.

A
B
C
D



DETAIL A
SCALE 5.000



title DDR2 0.6mm PITCH 200 POS.
REVERSE TYPE ASS'Y

catalog no *

dwg no 10086891

CUSTOMER

Rev. B

sheet 2 of 4

A
B
C
D

1

2

3

4

A

B

C

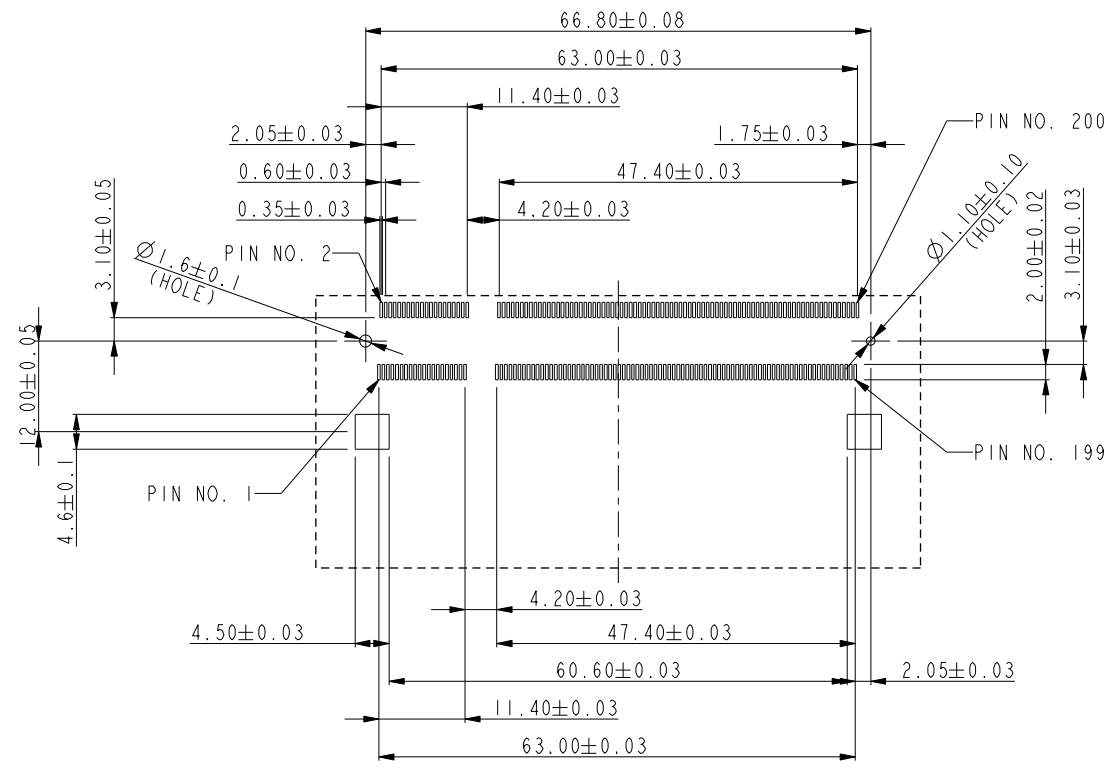
D

A

B

C

D



RECOMMENDED MOUNTING P.C.B LAYOUT



Copyright FCI.

REV F - 2006-04-17

www.fciconnect.com		surface <input checked="" type="checkbox"/>	tolerance std	projection		
TOLERANCES UNLESS OTHERWISE SPECIFIED						
Dr		ANGULAR	LINEAR	0.X	±	size A4
Eng	JULIA WANG			0.XX	±	Scale 1.000
Chr		0° ±°		0.XXX	±	ECN DG08-0204
Appr		Product family			Spec ref *	
		title		dwg no		Rev.
		DDR2 0.6mm PITCH 200 POS. REVERSE TYPE ASS'Y		10086891		B
		catalog no		* CUSTOMER		sheet 3 of 4

PDM: Rev:B

STATUS: Released

4 Printed: Jul 28, 2010

A

B

C

D

A

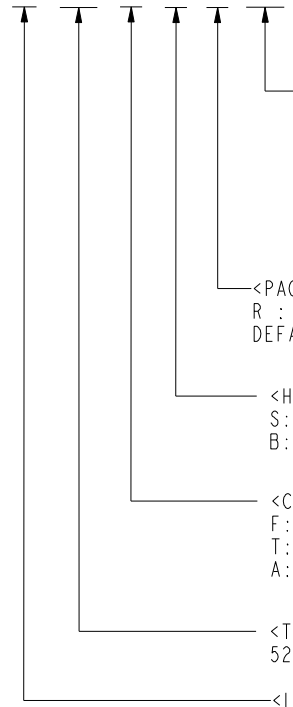
B

C

D

PRODUCT NO.	LOCATION PEG	TERMINAL CONTACT AREA FINISH	HOLD DOWN FINISH	SOLDER TAIL FINISH
10086891-052FSLF	YES	Au FLASH	PURE Sn PLATING	Au FLASH
10086891-152FSLF	NO			
10086891-052TSLF	YES	Au 0.3um MIN.		
10086891-052TSRLF	△ YES			
10086891-152TSLF	NO	Au 0.76um MIN.		
10086891-052ASLF	YES			
10086891-052ASRLF	△ YES			
10086891-152ASLF	NO			
10086891-052FB	YES	Au FLASH	Sn-Pb PLATING	
10086891-152FB	NO	Au 0.3um MIN.		
10086891-052TB	YES			
10086891-152TB	NO			
10086891-052AB	YES	Au 0.76um MIN.	PURE Sn PLATING	
10086891-152AB	NO			
10086891-252FSLF	YES	Au FLASH		PURE Sn PLATING
10086891-352FSLF	NO	Au 0.3um MIN.		
10086891-252TSLF	YES			
10086891-352TSLF	NO			
10086891-252ASLF	YES	Au 0.76um MIN.		PURE Sn PLATING
10086891-352ASLF	NO			
10086891-252FB	YES	Au FLASH	Sn-Pb PLATING	
10086891-352FB	NO	Au 0.3um MIN.		
10086891-252TB	YES			
10086891-352TB	NO			
10086891-252AB	YES	Au 0.76um MIN.	Sn-Pb PLATING	
10086891-352AB	NO			
10086891-452FS	YES	Au FLASH		PURE Sn PLATING
10086891-552FS	NO	Au 0.3um MIN.		
10086891-452TS	YES			
10086891-552TS	NO			
10086891-452AS	YES	Au 0.76um MIN.		Sn-Pb PLATING
10086891-552AS	NO			
10086891-452FB	YES	Au FLASH	Sn-Pb PLATING	
10086891-552FB	NO	Au 0.3um MIN.		
10086891-452TB	YES			
10086891-552TB	NO			
10086891-452AB	YES	Au 0.76um MIN.	Sn-Pb PLATING	
10086891-552AB	NO			

10086891-X XX X X X LF



FOR Rohs OPTIONS: TAIL PLATING CODE MUST BE 0~3. HOLD DOWN PLATING CODE MUST BE "S". "LF" CODE IS EXIST IN THE END. EX: 10086891-252TSLF FOR NOT Rohs COMPATIBEL: THIS "LF" CODE IS "BLANK". EX: 10086891-452TS

<PACKING METHOD>
R : TAPE REEL
DEFAULT: TRAY △

<HOLDDOWN FINISH>
S: PURE Sn
B: Sn-Pb

<CONTACT FINISH>
F: Au FLASH
T: Au 0.3um MIN.
A: Au 0.76um MIN.

<TOTAL HEIGHT>
52: 5.2mm

<LOCATION PEG, SOLDER TAIL FINISH>
0: YES, Au FLASH
1: NO, Au FLASH
2: YES, PURE Sn PLATING
3: NO, PURE Sn PLATING
4: YES, Sn-Pb PLATING
5: NO, Sn-Pb PLATING



Copyright FCI.



title DDR2 0.6mm PITCH 200 POS.
REVERSE TYPE ASS'Y
catalog no *

dwg no 10086891
Rev. B
CUSTOMER sheet 4 of 4