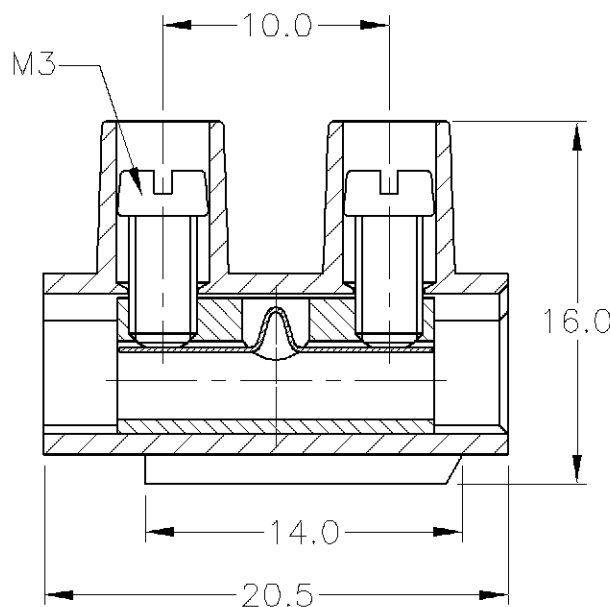
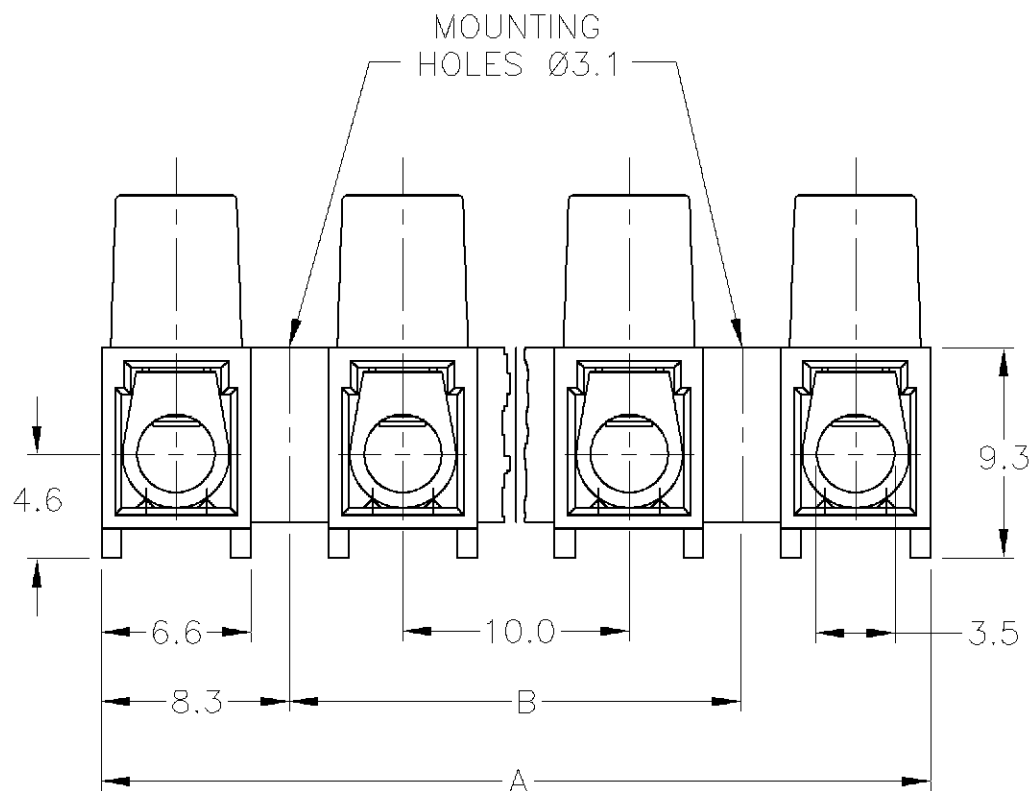


THIS DRAWING IS UNPUBLISHED. RELEASED FOR PUBLICATION
 © COPYRIGHT BY TYCO ELECTRONICS CORPORATION. ALL RIGHTS RESERVED.

LOC	DIST	REVISIONS			
P	LTR	DESCRIPTION	DATE	DWN	APVD
FT	0	A	REVISED PER 0G3B-0043-02	23JAN02	EZ DB

NOTE

- MATERIAL
HOUSING - POLYIMIDE 6 UL94V-2
COLOR - NATURAL(OFF WHITE)
- CURRENT RATING: 30A, 250V
10-22 AWG



100	116.6	TSB500 1231DS	2-1437388-4
90	106.6	TSB500 1131DS	796613-2
80	96.6	TSB500 1031DS	2-1437388-2
70	86.6	TSB500 0931DS	2-1437388-0
60	76.6	TSB500 0831DS	1-1437388-8
50	66.6	TSB500 0731DS	1-1437388-6
40	56.6	TSB500 0631DS	1-1437388-5
30	46.6	TSB500 0531DS	1-1437388-2
20	36.6	TSB500 0431DS	1-1437388-1
10	26.6	TSB500 0331DS	1437388-9
-	16.6	TSB500 0213DS	1437388-7
-	6.6	TSB500 0131DS	796613-1
DIM B	DIM A	T & B PART NUMBER	TYCO PART NUMBER

THIS DRAWING IS A CONTROLLED DOCUMENT.		DWN	25JAN2002		Tyco Electronics Corporation Harrisburg, PA 17105-3608
DIMENSIONS: MM		CHK	23JAN02		
TOLERANCES UNLESS OTHERWISE SPECIFIED:		APVD	23JAN02		
0 PLC ± - 1 PLC ± .3 2 PLC ± .25 3 PLC ± - 4 PLC ± - ANGLES ± 2		NAME			
MATERIAL		PRODUCT SPEC			EUROPA TERMINAL BLOCK W/WIRE PROTECTOR
FINISH		APPLICATION SPEC			MOUNTING HOLES Ø 3.1, 10mm PITCH
-		WEIGHT	-		SIZE
-		CUSTOMER DRAWING			A3
		SCALE	1:1	SHEET	1 OF 1
		REV	A		RESTRICTED TO