




SIGN	DATE	DESCRIPTION	APPROVER

THIS IS CAD DRAWING, DO NOT REVISE MANUALLY!!!

Material:

- Contact pin: Brass(CuZn) Tin plated
- Insulator(housing): Thermoplastic (UL94V-0)

Electrical cULus/VDE/TUV

- Voltage rating: 300VAC/300VAC/300VAC
- Current rating: 20A/20A/20A
- Withstanding Voltage: 1.6KV/2.5KV/2.5KV
- Operating temperature: -40°C to +115°C
- Soldering temperature: 250°C±10°C/5 Sec
- Safety Approval:   

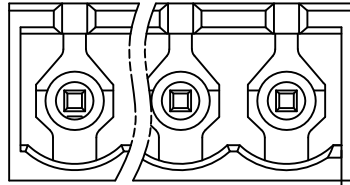
RoHS Compliant

PART NUMBER:

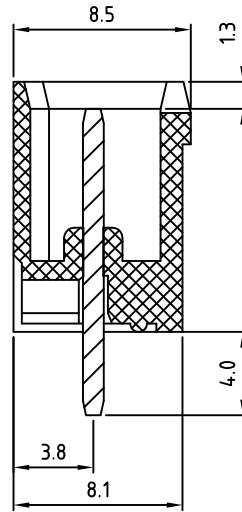
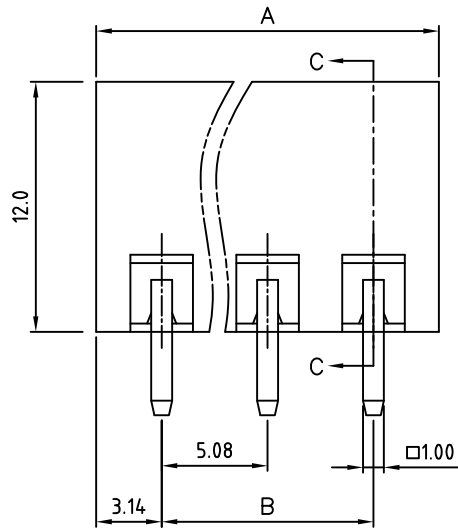
OSTOQXX54501

No. of Poles
02: 2 Poles
:
:
24: 24 Poles

COLOR
0: Black
5: Green (Standard)
6: Blue
8: Grey



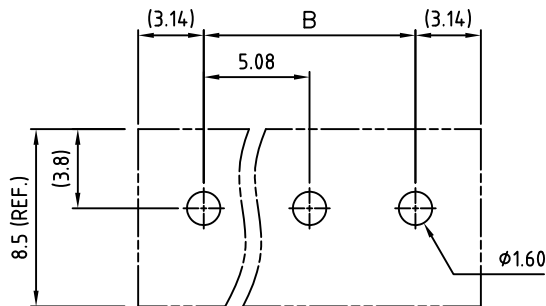
0.40±0.05



SECTION C-C

N = Number of poles
Dim A = N x 5.08 + 1.2
Dim B = (N - 1) x 5.08

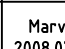

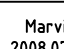
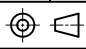
	Dim A	Dim B
2-6p	±0.20	±0.15
7-12p	±0.25	±0.20
13-18p	±0.30	±0.25
19-24p	±0.40	±0.30



RECOMMENDED PCB LAYOUT

THESE DRAWINGS AND SPECIFICATIONS ARE THE PROPERTY OF ON-SHORE TECHNOLOGY, INC. AND SHALL NOT BE REPRODUCED, COPIED OR USED IN ANY MANNER WITHOUT THE PRIOR WRITTEN CONSENT OF ON-SHORE TECHNOLOGY, INC.



TITLE		OSTOQ 5.08mm 180° /Closed Series 2p-24p thin wall					
PART NO.		OSTOQXX54501		DWG NO.		OSTOQXX54501.DWG	
APPROVED		CHECKED	DESIGNED	DRAWN	CUST NO.		Tolerance
 Marvin 2008.07.25		 Marvin 2008.07.25	 Marvin 2008.07.25		UNIT: mm		X. ±0.50
					SCALE: NONE		X.X ±0.30
SHEET: 01/01		REV: A				X.XX ±0.10	
						X° ±1°	