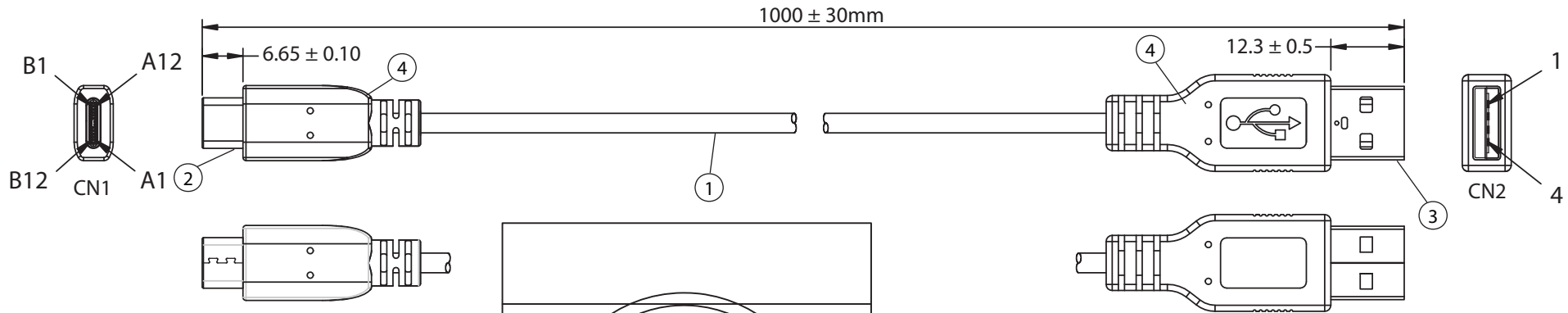
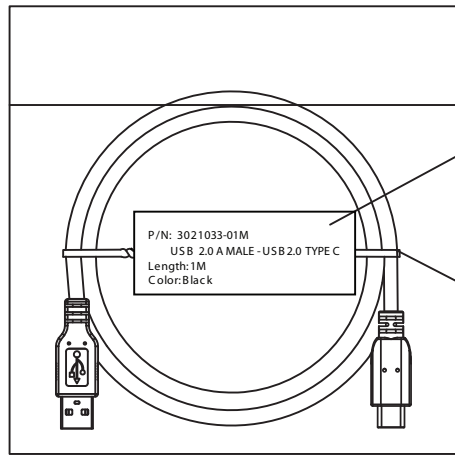


THESE DRAWINGS ARE THE PROPERTY OF QUALTEK ELECTRONICS AND NOT TO BE REPRODUCED FOR OR COMMUNICATED TO A THIRD PARTY WITHOUT THE EXPRESS WRITTEN PERMISSION OF AN OFFICER OF QUALTEK ELECTRONICS.

REVISION			
REV.	DESCRIPTION	DATE	APPROVED



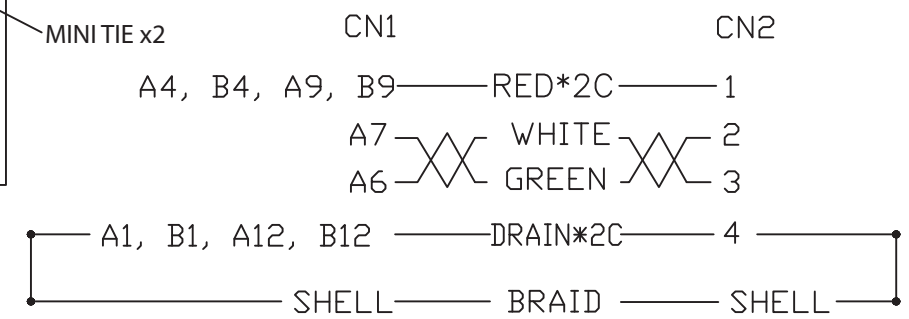
P/N: 3021033-01M
 USB 2.0 A MALE - USB 2.0 TYPE C
 Length: 1M
 Color: Black



LABEL

MINITIE x2

PIN OUT



NOTES:

- CABLE: UL2725
 7/0.1TAx1PR+19/0.1TAx2C+19/0.1TA*2+CONDUCTIVE FILM(PE)+ B 85%
 PVC OUTER JACKET: BLACK, OD: 3.2 ± 0.2mm
- CONNECTOR: USB 2.0 TYPE C MALE
 INSULATOR: BLACK PBT
 PIN GOLD PLATED
 NICKEL PLATED SHELL
- CONNECTOR: USB 2.0 TYPE A MALE
 INSULATOR: WHITE PBT
 PIN GOLD PLATED
 NICKEL PLATED SHELL
- PVC MOLDED: COLOR V398 45P BLACK
- ELECTRICAL TEST:
 <1>.100% OPEN SHORT & MISS WIRE TEST
- DATA TRANSFER RATE UP TO 480Mbps (NOMINAL)
- CURRENT RATING UP TO 3A (NOMINAL)
- VOLTAGE RATING UP TO 20V (NOMINAL)
- PACKING: 1PC/POLYBAG W/ LABEL

CONTROLLED

Dim range (mm)	Tolerance +/- (mm)	Qualtek Electronics Corp.		
		WCI DIVISION		
0-1	0.15	Part Number: 3021033-01M		
1-6	0.20	RoHS Compliant		
6-18	0.30	Description: USB 2.0(A)/M - USB 2.0 (C)/M		
18-50	0.50	UNIT: mm		
50-120	0.70	Drawn / Date	Checked / Date	Approved / Date
120-250	0.90	R. Nuti 08-24-15	08-24-15	LY / 08-24-15
250-500	1.20			