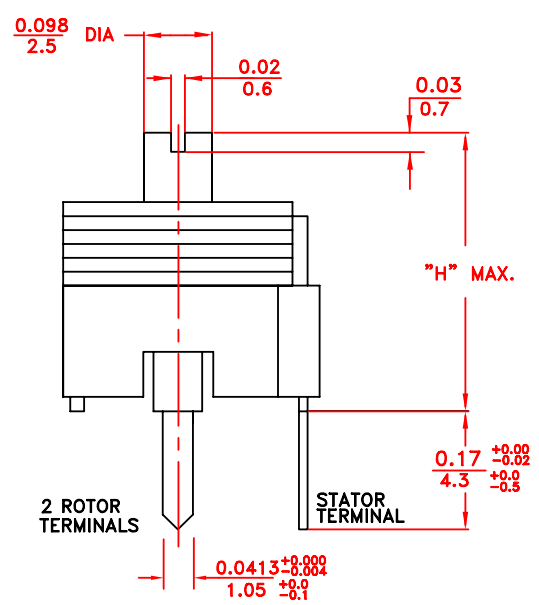
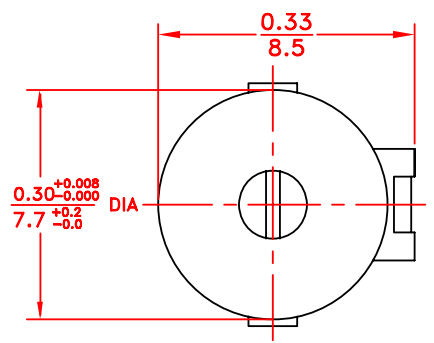


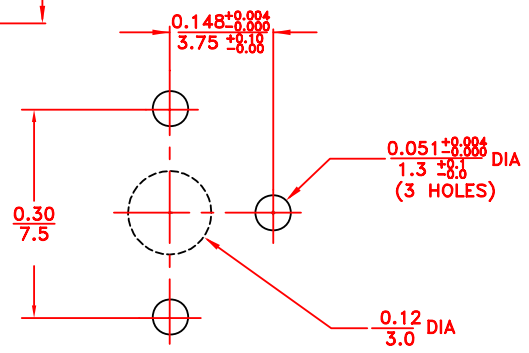
REV	DESCRIPTION	DATE	APP
00	NEW DRAWING	02/12/14	D.D.



2 ROTOR TERMINALS

STATOR TERMINAL

"H" MAX.



SUGGESTED MOUNTING HOLES LAYOUT

Model No.	Capacitance range (pF)	'H' (in/mm)	Color Code
GXE5R000NM	1.0 to 5.0	0.402/10.2	Clear
GXE9R000NM	1.8 to 9.0	0.402/10.2	Yellow
GXE18000NM	2.6 to 18	0.402/10.2	Green
GXE27000NM	3.5 to 27	0.402/10.2	Red
GXE36000NM	4.5 to 36	0.449/11.4	Violet
GXE45000NM	5.0 to 45	0.449/11.4	Orange

SPECIFICATIONS:

1. Q min: 1500 at 1 MHz
2. TCC: 0± 250 ppm/°C
3. Operating temperature range: -40°C to + 125°C
4. Construction: non magnetic
5. Working voltage: 200 VDC
6. Dielectric withstanding voltage: 300 VDC
7. Insulation resistance: 10⁴ megohms min
8. Torque: 0.21 to 3.5 oz-in (15 to 250 g-cm)
9. Linear capacitance change vs.rotation
10. Dielectric: PTFE

TOLERANCES: (EXCEPT AS NOTED)				SPRAGUE GOODMAN ELECTRONICS INC. 1700 SHAMES DRIVE WESTBURY, NY 11590			
DECIMAL: ±0.002 in ±0.051 mm		MATERIAL:		SCALE: 4:1		DRAWN BY: R. LEVIN	
FRACTIONAL: 1/64		TITLE: GXEXXXXXNM				APPROVED: D. DITLYA	
ANGULAR: 1°		DATE: 02/12/2014		DRAWING NUMBER: GXEXXXXXNM		USED FOR:	
						REV: 00	