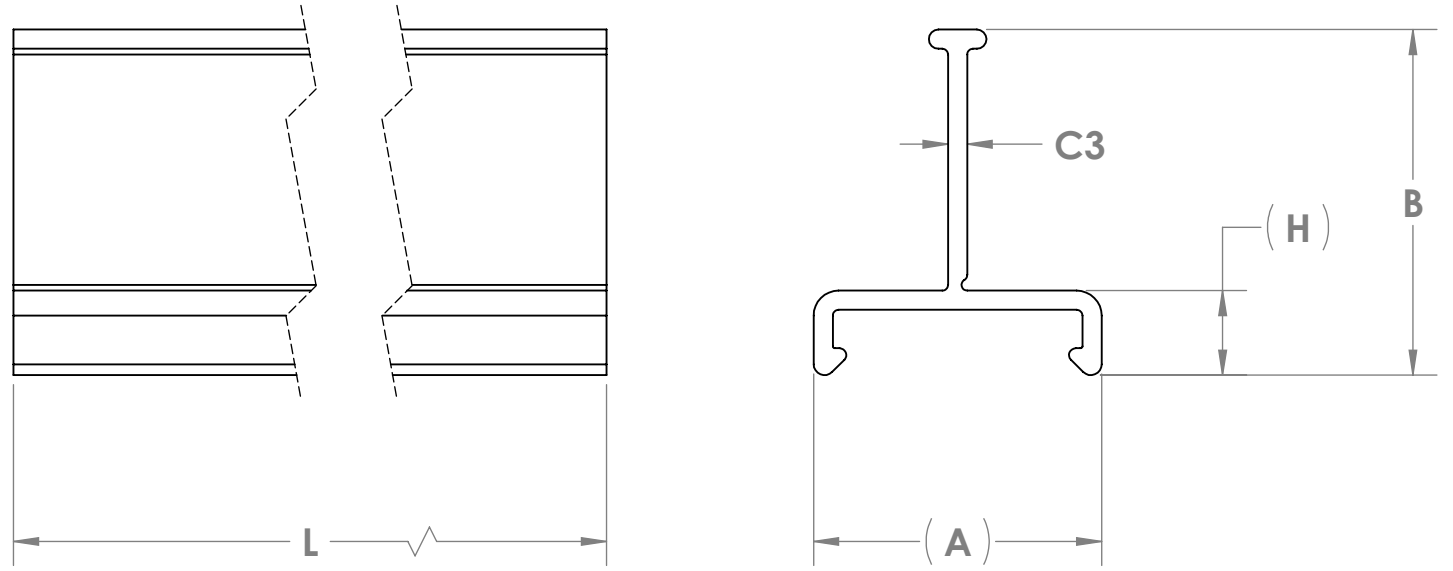
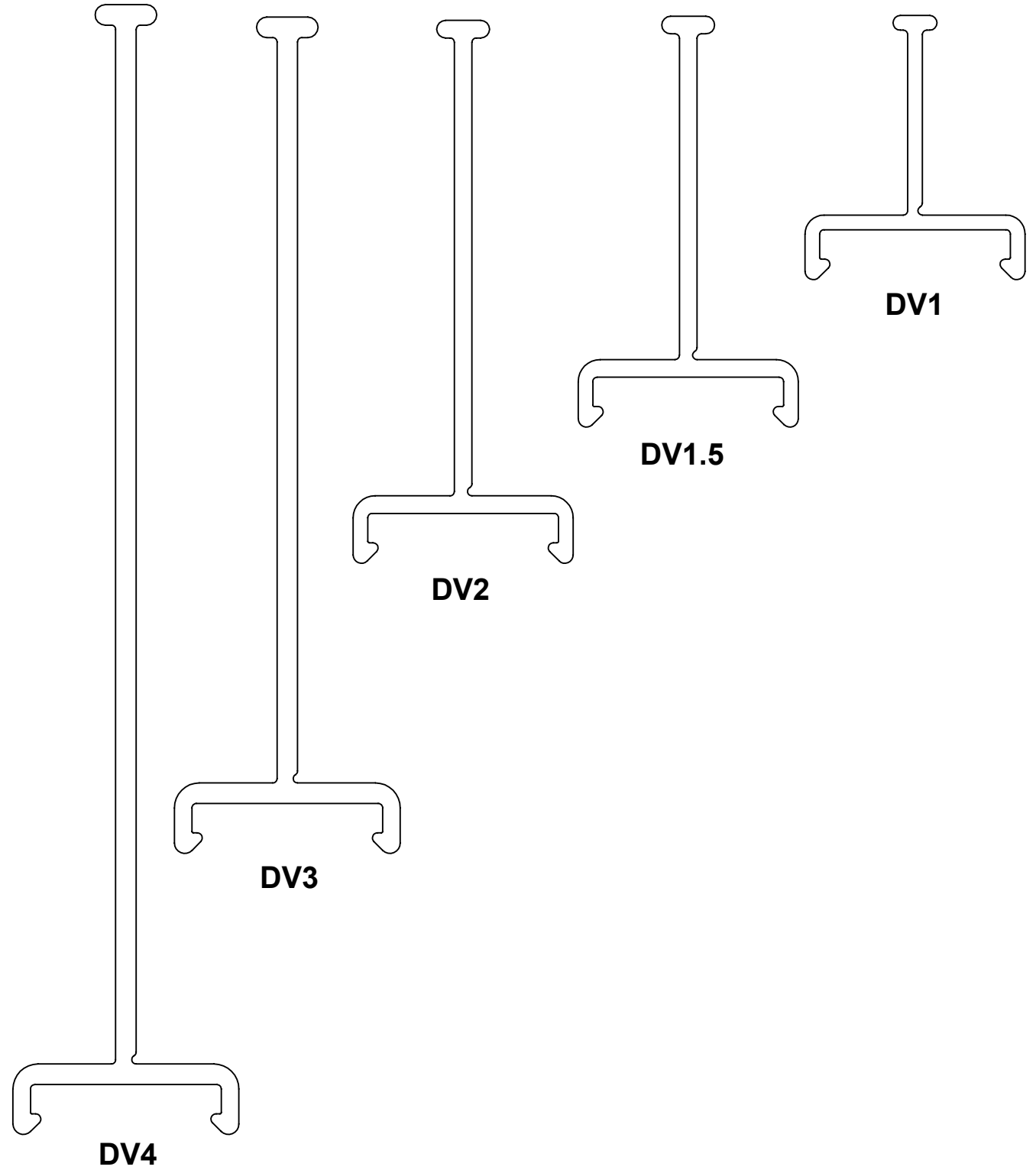


Revision level		Revision Record	Changed	Date	Approved	Date
Drawing	Part					
02	-	SEE ECN# 100011	MHT	05/13/2011	MHT	05/13/2011



DV1 PROFILE SHOWN

TYPE	(A)	B	C3	(H)	L
DV1	.75	.90 +.01/-.02	.05	.220	72.00 +.25/-.00
DV1.5	.75	1.40 +.01/-.03	.06	.230	72.00 +.25/-.00
DV2	.75	1.85 +.01/-.04	.06	.230	72.00 +.25/-.00
DV3	.77	2.85 +.01/-.05	.07	.240	72.00 +.25/-.00
DV4	.77	3.85 +.01/-.06	.07	.240	72.00 +.25/-.00




Notes
 1) MUST BE USED WITH DIVIDER MOUNT DVM.
 2) DIVIDER HEIGHTS DESIGNED TO FIT WITH CORRESPONDING WIRING DUCT HEIGHTS.

Material
 PVC, AVAILABLE IN GRAY OR WHITE, RoHS COMPLIANT

Units inches
 Dimension without tolerances details to:
 .xxxx = ±.0005
 .xxx = ±.005
 .xx = ±.01
 .x = ±.03
 None = ±.06
 < = ±0.5°

The copyright of this drawing is reserved by Hellermann Tyton. It is issued on condition that it is not reproduced, copied, or disclosed to a third party, either wholly or in part, without the consent of Hellermann Tyton.

Drawn KAC 02/10/2011
 Approved MHT 05/13/2011

 North America
 Email: corp@htamericas.com
 Web: www.hellermann.tyton.com

Article/Type-No SEE CHART
 Title DUCT DIVIDER 1", 1.5", 2", 3", 4"
 Drawing-No DT10-0847-001CST
 Production : Phase

Scale 2:1
 Project Number PRP10-0847
 Format B
 Sheet 1/1