

4

3

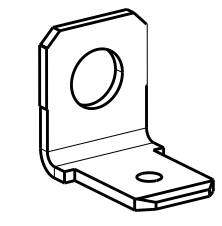
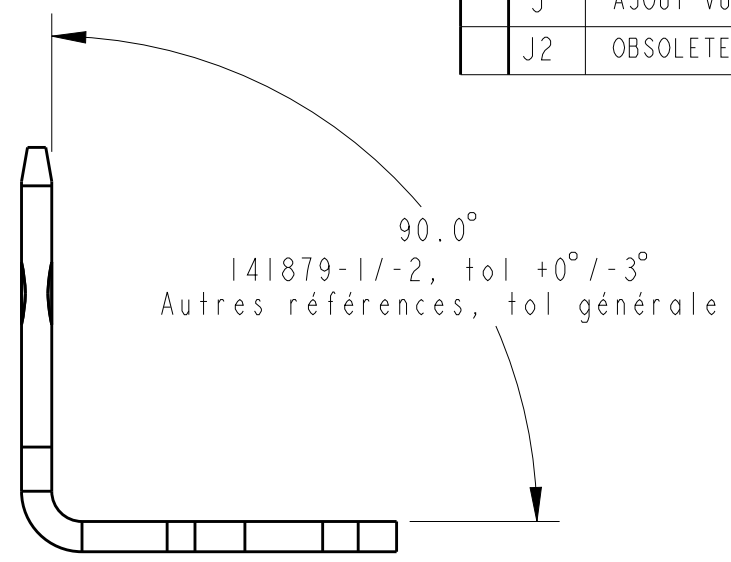
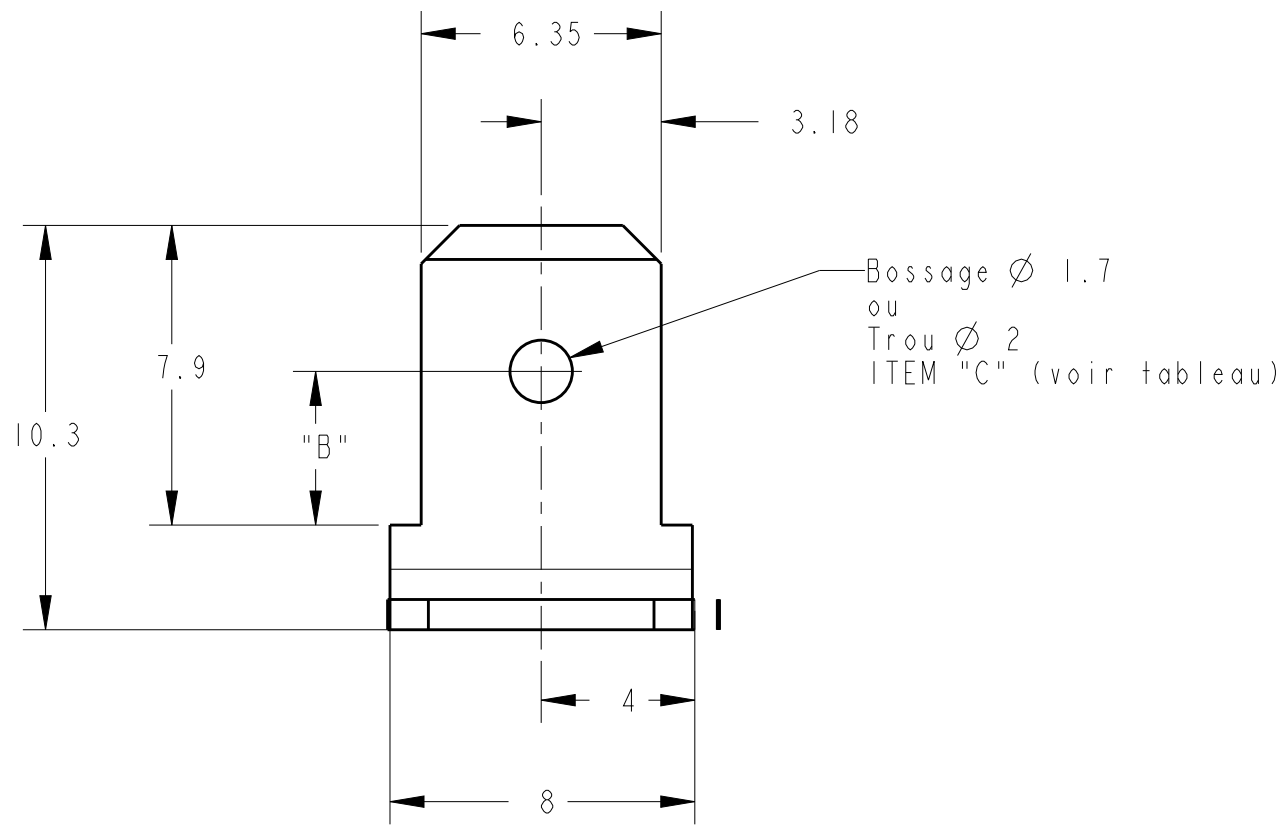
2

1

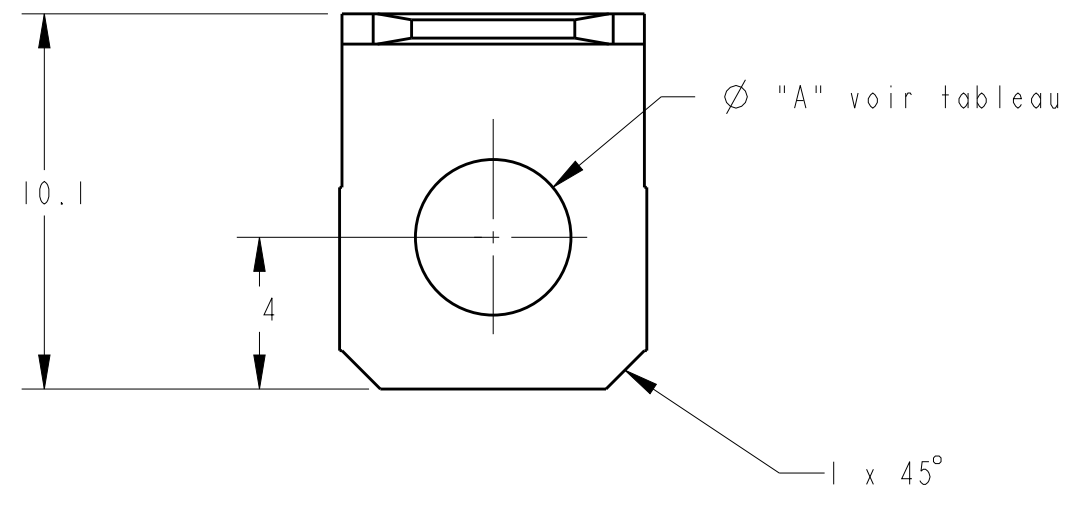
THIS DRAWING IS UNPUBLISHED.
 DIFFUSION RESTREINTE AMP
 © COPYRIGHT 20 BY TYCO ELECTRONICS CORPORATION. ALL RIGHTS RESERVED.
 TOUS DROITS RESERVES

RELEASED FOR PUBLICATION
 LIBRE A LA DIFFUSION
 20

LOC	DIST	REVISIONS				
P	LTR REV	DESCRIPTION MODIFICATIONS	DATE	DWN DESS.	APVD APP.	
F	7	G	Redessine en CAO et revise	30MARS98	O.L -	
		H	CLARIFICATION	09OCT2000	JJD -	
		J	AJOUT VUE DE COTE ET DIM 90°	12MAR2004	GR gr	
		J2	OBSOLETE 140593-0	31AUG2015	L.P T.D	



ECHELLE 2:1



142612-2	etame	3	3.4	trou
142612-1	brut	3	3.4	trou
141879-2	etame	4.1	3.4	trou
141879-1	brut	4.1	3.4	trou
140793-2	etame	4.1	3.4	trou
140793-1	brut	4.1	3.4	trou
140732-2	etame	3.1	4	bossage
140732-1	brut	3.1	4	bossage
140600-0	etame	3.7	4	bossage
140599-0	brut	3.7	4	bossage
140594-0	etame	4.1	4	bossage
OBSOLETE 140593-0	brut	4.1	4	bossage
Numero	Finition	"A"	"B"	"C"

<small>THIS DRAWING IS A CONTROLLED DOCUMENT FOR TYCO ELECTRONICS CORPORATION IT IS SUBJECT TO CHANGE AND THE CONTROLLING ENGINEERING ORGANIZATION SHOULD BE CONTACTED FOR THE LATEST REVISION.</small> <small>CE PLAN EST UN DOCUMENT CONTROLE PAR AMP INCORPORATED. IL EST SUSCEPTIBLE D'ETRE REVISE. CONTACTER LE SERVICE TECHNIQUE D'AMP DE FRANCE POUR OBTENIR LA DERNIERE REVISION.</small>		DWN/DESSINE 30MARS98 O. LEMPEREUR CHK/VERIFIE - G. ROBERT APVD /APPROUVE - Y. PETRONIN		AMP AMP DE FRANCE 95301 PONTOISE	
DIMENSIONS: mm 		TOLERANCES UNLESS OTHERWISE SPECIFIED: TOLERANCES NON SPECIFIEES (SUIV NB DE DECIMALES): 0 PLC/DEC: ±- 1 PLC/DEC: ±0.2 2 PLC/DEC: ±- 3 PLC/DEC: ±- 4 PLC/DEC: ±- ANGLES ±30'		NAME /TITRE FASTON TABS BENT 90 .250 series LANGUETTE POUR CLIPS	
MATERIAL /MATIERE LAITON Epaisseur : 0.8mm		FINISH /FINITION VOIR TABLE		PRODUCT SPEC SPEC. PRODUIT - APPLICATION SPEC SPEC. APPLICATION - WEIGHT MASSE APPROX. - SIZE FORMAT A3 CAGE CODE 00779 DRAWING NO No PLAN C=140593 RESTRICTED TO RESERVE A -	
Customer Drawing /PLAN CLIENT			UNIQUEMENT POUR REFERENCE		SCALE ECHELLE 5:1
			SHEET FEUILLE 1	OF DE 1	REV J2